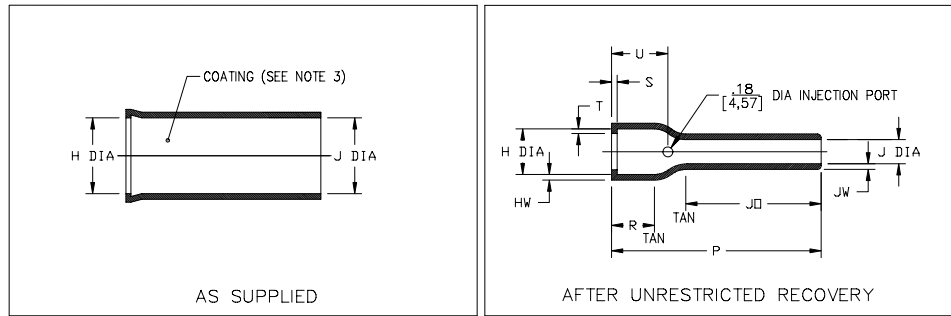


Molded Parts Specification Control Drawing

Part Number : 202D232-X-16
Description : Boot, Straight With Lip

NOTES

- All dimensions are in $\frac{\text{inches}}{[\text{millimeters}]}$
- Dimensions appearing in table are as follows:
 - a - As Supplied
 - b - After Unrestricted Recovery
- Coating is optional. As supplied dimensions appearing in table are for uncoated parts. When coating is added, entry diameters will be reduced by .06 max.



PART NUMBER	H		J		P ±10%	JO Ref	R Ref	S Ref	T Ref	U ±10%	HW ±20%	JW ±20%
	Min	Max	Min	Max								
	a	b	a	b								
202D232-X-16	1.16 [29,5]	.74 [18,8]	1.16 [29,5]	.33 [8,4]	2.30 [28,4]	1.28 [32,5]	.48 [12,2]	.12 [3,0]	.04 [1,0]	.60 [15,2]	.07 [1,78]	.045 [1,14]

tyco/Electronics/**Raychem**
TYCO ELECTRONICS
307 CONSTITUTION DRIVE
MENLO PARK, CALIFORNIA 94025

Revision : A
Date : 6/19/01

Part Number : 202D232-X-16
Description : Boot, Straight With Lip

Molded Parts Specification Control Drawing

Part Number : 202D232-X-16
Description : Boot, Straight With Lip

MATERIAL DASH NO.	MATERIAL DESCRIPTION	RT SPEC	COATING SLASH NO.	COATING S NO.	COATING DESCRIPTION
-3	Polyolefin, Semi-rigid	RT-301	/42,/86	S-1017;S-1048	Adhesive
-4	Polyolefin, Flexible	RT-1304	/42,/86	S-1017;S-1048	Adhesive
-12	*VITON, Flexible	RT-1312	N/A		
-25	Elastomer, Fluid Resistant	RT-1325	/42,/86	S-1017;S-1048	Adhesive

*VITON is a Registered Trademark of Dupont

ORDERING INFORMATION			
Base part number	202D211	-X	-16 /XXX
Material dash number (See Compatability Chart)			
Modification number (if necessary, see front of scd binder for a complete list)			
Adhesive slash number (if necessary, see Compatability Chart)			

THIS DRAWING IS SUBJECT TO CHANGE WITHOUT NOTICE; CONSULT YOUR NEAREST FIELD REPRESENTATIVE FOR CURRENT REVISION

tyco/Electronics/**Raychem**
TYCO ELECTRONICS
307 CONSTITUTION DRIVE
MENLO PARK, CALIFORNIA 94025

Revision : A
Date : 6/19/01

**If this document is printed it becomes uncontrolled.
Check with the web for latest revision.**

Part Number : 202D232-X-16
Description : Boot, Straight With Lip

CAD FILE MP01043