

MICRO SWITCH
 FREEPORT ILLINOIS U.S.A.
 A DIVISION OF HONEYWELL
 FED MFG CODE 91929

**SWITCH-TOGGLE
 ABOVE PANEL MOUNT**

CATALOG LISTING
1TP7 SERIES

CHART 1

THIS DRAWING COVERS A PROPRIETARY ITEM AND IS THE PROPERTY OF MICRO SWITCH A DIVISION OF HONEYWELL THIS DRAWING IS NOT TO BE COPIED OR USED WITHOUT THE APPROVAL OF MICRO SWITCH

CATALOG LISTING	CIRCUIT WITH BUTTON IN		
	LUG SIDE (1-2)	CENTER (1-2)	OPPOSITE LUG (2-3)
1TP7-1	ON	OFF	ON
1TP7-2	OFF	NONE	ON
1TP7-3	ON	NONE	ON
1TP7-21	NONE	OFF	ON
1TP7-31	NONE	ON	ON
1TP7-4	MOM OFF	NONE	ON
1TP7-5	MOM ON	OFF	ON
1TP7-6	MOM ON	NONE	OFF
1TP7-7	MOM ON	OFF	MOM ON
1TP7-8	MOM ON	NONE	ON
1TP7-51	NONE	ON	MOM ON
1TP7-61	MOM ON	OFF	NONE

ELECTRICAL DATA

L191 15A 125, 250, 277 VAC
 1/2HP 125 VAC
 1HP 250, 277 VAC
 5A 125 VAC "L"

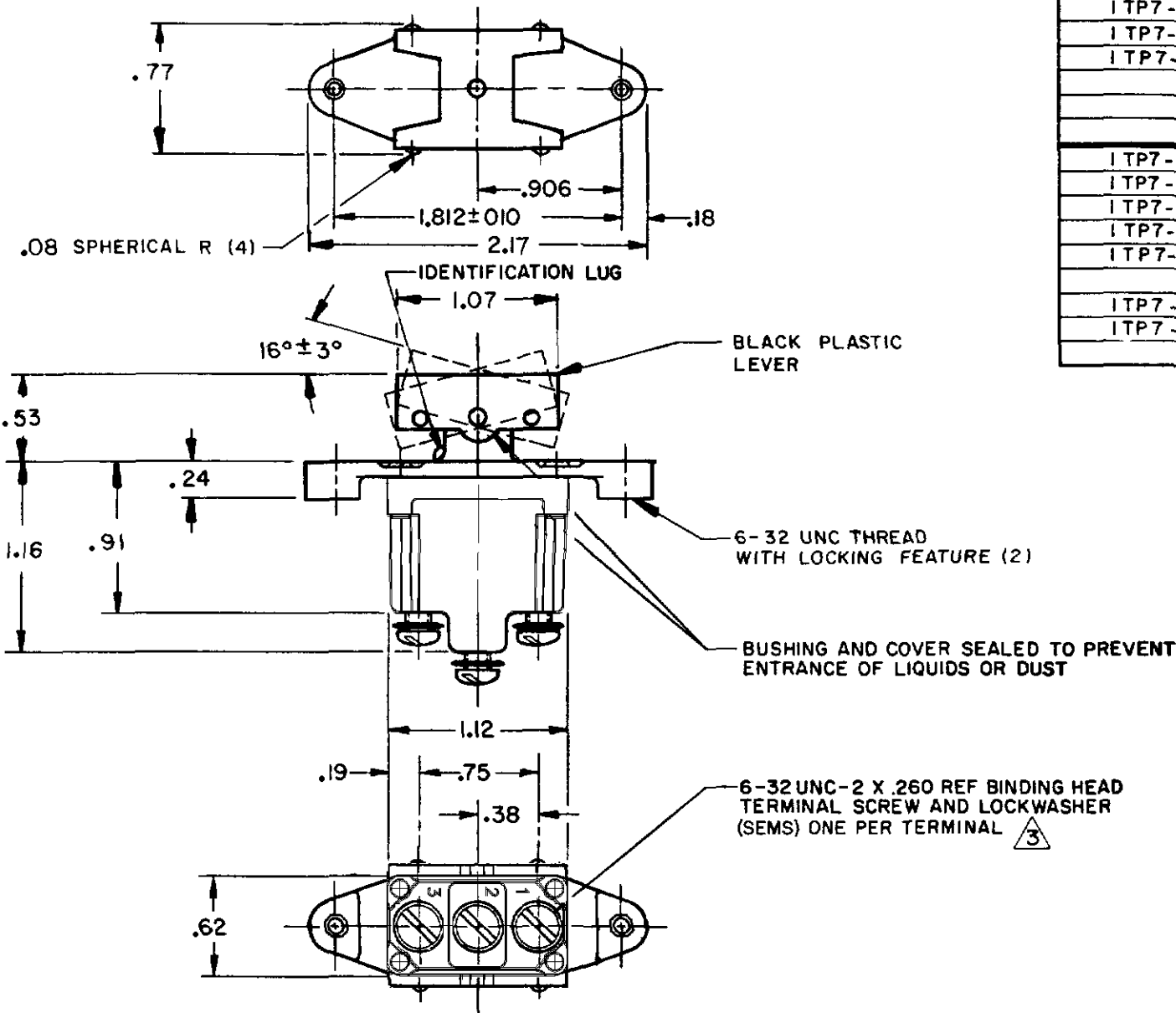


L192 10A 125, 250, 277 VAC
 1/4HP 125 VAC,
 1/2HP 250, 277 VAC
 3A 125 VAC "L"



BUTTON COLOR CODE ⁴

COLOR IDENTIFICATION	COLOR
W	WHITE
R	RED
Y	YELLOW
BK	BLACK
G	GREEN
BL	BLUE
T	TRANSPARENT



- NOTES**
- MICRO SWITCH CATALOG LISTING MARKED ON SIDE OF SWITCH
 - THESE SWITCHES WILL WITHSTAND TEMPERATURE OF 160°F CONTINUOUSLY AT FULL RATED LOAD
 - SCREWS FURNISHED UNASSEMBLED
 - SUFFIX MUST BE ADDED FOR DESIRED BUTTON COLOR (EXAMPLE: 1TP7-1-W)

DRAWING NUMBER: **M 1TP7 SERIES CHART 1**
 ISSUE: **13**
 REVISIONS:
 A CO81370 JAK 20 OCT 95
 B CO-95612 JJA 1 OCT 99
 C CO94412 DLM 13 OCT 99
 CHECK: D J W R 1 OCT 74
 DRAWN: B E N 14 OCT 74
 FORMTEK
 RELEASE NO: PR-4905
 REPLACES: PAGE 1 OF 1

SCALE FULL
 DO NOT SCALE PRINT
 UNLESS OTHERWISE NOTED
 DIMENSIONS ARE IN INCHES
TOLERANCES ARE
 ONE PLACE ± .030
 TWO PLACE ± .015
 THREE PLACE ± .005
 ANGLES ± .005
 WEIGHT .09 LB EST