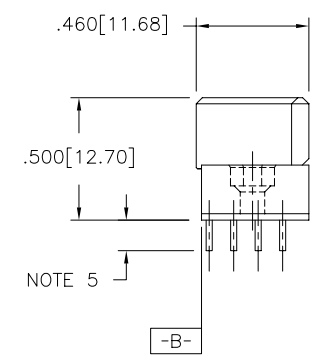
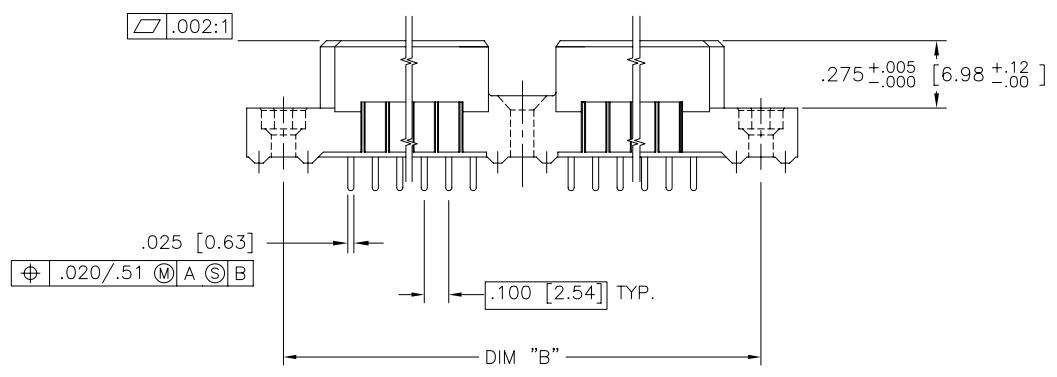
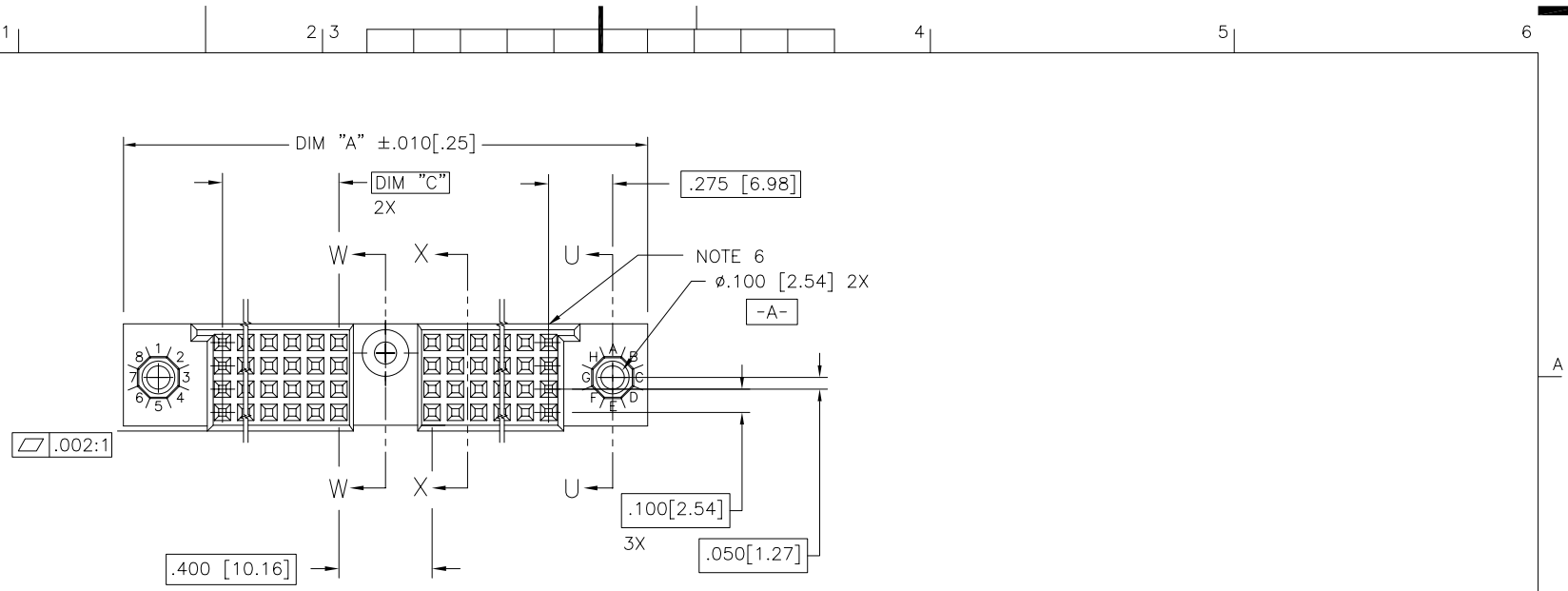


PRODUCT NO.

SEE NOTE 1

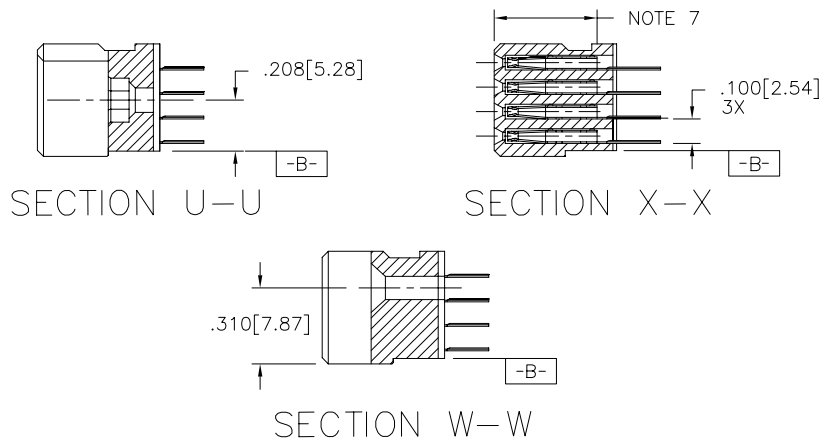


mat'l. code		surface		tolerance		projection		product family	
NOTE 3		ISO 1302 ✓		ISO 406 ISO 1101				HPC	
ltr	ecn no	dr	date	tolerances unless otherwise specified				title	
H	V41291	MDF	9/8/94	angles	linear	INCH/MM		4 ROW VERTICAL RECEPTACLE	
J	V50348	LSS	6/15/95			scale 1:1		SOLDER TO BOARD, 1 GUIDE PIN	
K	V80357	MSC	3/3/98	0'±2'				dwg no	
L	C80026	MSC	3/12/98	dr	S.ROYER	8/7/91		sheet 1 of 2 size	
M	V90157	HTB	2/19/99	enr	S.CLARK	8/7/91		50327	
N	V00258	JWS	1/21/00	chr	S.CLARK	8/14/91		A3	
P	M06-0260	MHT	7/07/06	appd	S.CLARK	8/14/91		type Product Customer Drawing	
sheet	revision	P	P						
index	sheet	1	2						

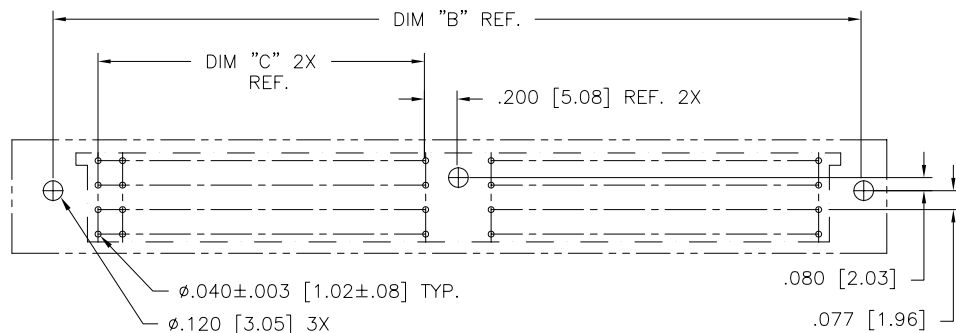


Copyright FCI

PRODUCT NO.	DIM.	LENGTH FORMULAS
SEE NOTE 1	DIM A	.100/2.54 X NO. OF COLUMNS + 1.05/26.7
	DIM B	.100/2.54 X NO. OF COLUMNS + .750/19.05
	DIM C	.100/2.54 X NO. OF COLUMNS DIVIDED BY 2 - .100/2.54



- NOTES:
- PRODUCT NUMBERING CODE:
50327 - X YYY Z
 - TAIL LENGTH(NOTE 5)
 - NO. OF POSITIONS(NOTE 2)
 - PLATING(NOTE 4)
 - BASE NUMBER
 - THIS PRODUCT IS CONFIGURED IN SIZES OF 80 THRU 150 COLUMNS IN INCREMENTS OF TWO. i.e.: 80,82,84,86,.....146,148,150.
 - HOUSING MATERIAL: GLASS AND MINERAL FILLED HIGH TEMP. THERMOPLASTIC. FLAME RETARDANT PER UL94V-0. COLOR: BLACK. CONTACT MATERIAL: BeCu
 - PLATING CONTACT AREA OPTIONS:
 1 = 30u"/.76u GOLD
 3 = 50u"/1.27u GOLD
 5 = 30u"/.76u GXT
 ALL SOLDER TAILS TIN/LEAD
 - TAIL LENGTH OPTIONS:
 E = .125±.010 / 3.18±.25
 F = .145±.010 / 3.68±.25
 H = .180±.010 / 4.57±.25
 Z = .220±.010 / 5.59±.25
 - MANUFACTURE'S NAME, P/N AND LOT CODE TO APPEAR ON THIS SURFACE AS PER BUS-12-108.
 - FOR DOCUMENTATION MENU, SEE BUS-01-057.



RECOMMENDED PCB LAYOUT
 (ALL HOLES LOCATED ON .100 [2.54] GRID UNLESS OTHERWISE SPECIFIED)

mat'l. code		surface ISO 1302 ✓	tolerance ISO 406 ISO 1101	projection ⊕	product family HPC
ltr	ecn no	dr	date	tolerances unless otherwise specified	title
P				angles linear .xx±.01/.3 0'±2' .xxx±.005/.13 .xxxx±.0020/.051	4 ROW VERTICAL RECEPTACLE SOLDER TO BOARD, 1 GUIDE PIN
				dr S.ROYER 8/7/91 enr S.CLARK 8/7/91 chr S.CLARK 8/14/91 appd S.CLARK 8/14/91	scale 1:1 sheet 2 of 2 size A3
sheet index		revision sheet			50327 type Product Customer Drawing