

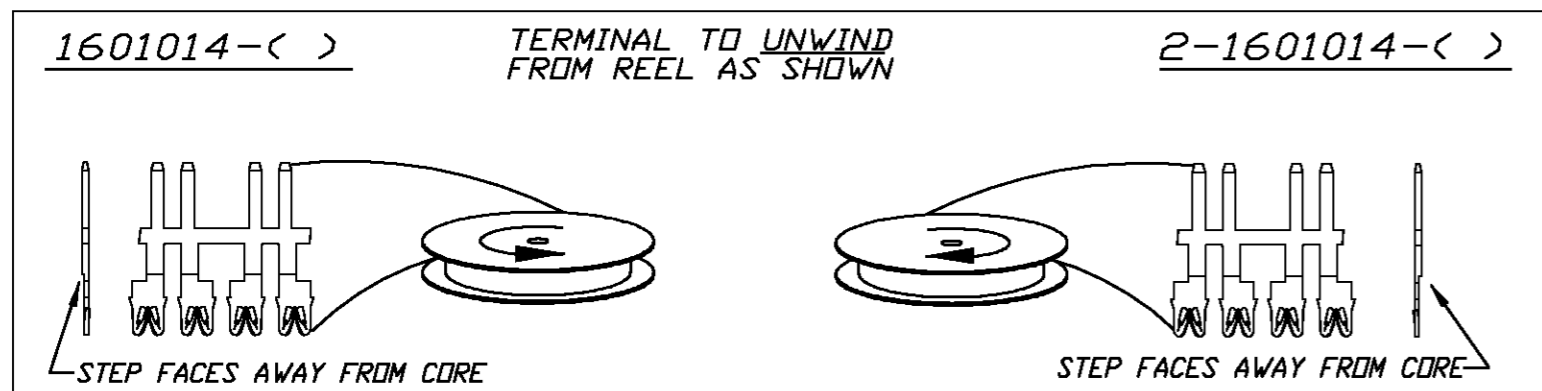
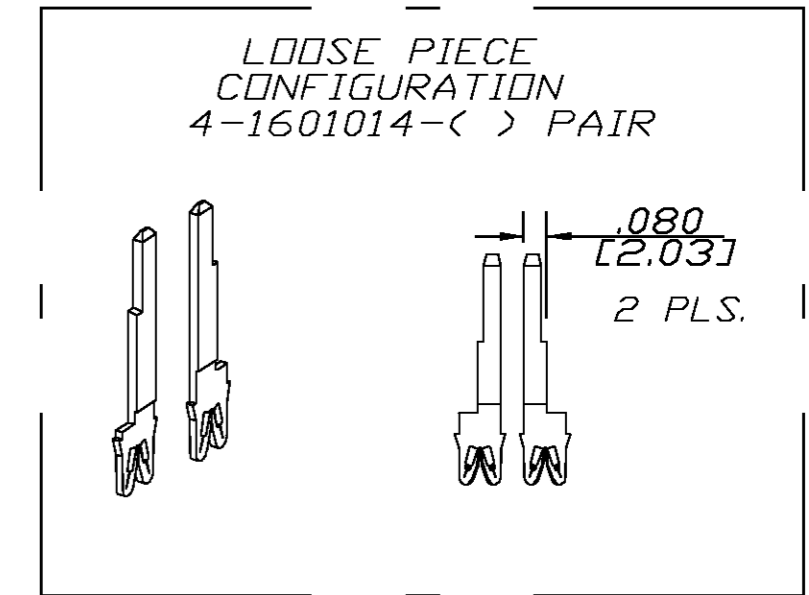
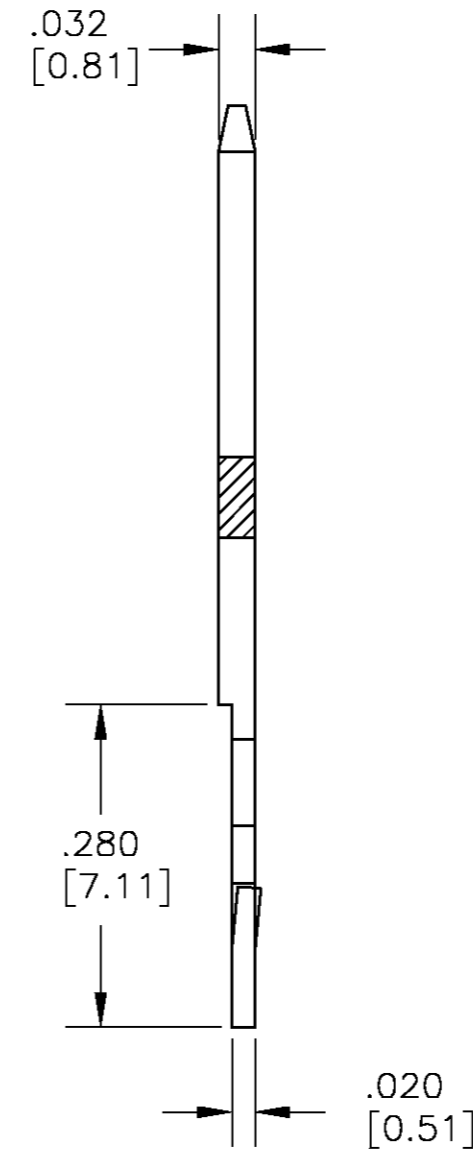
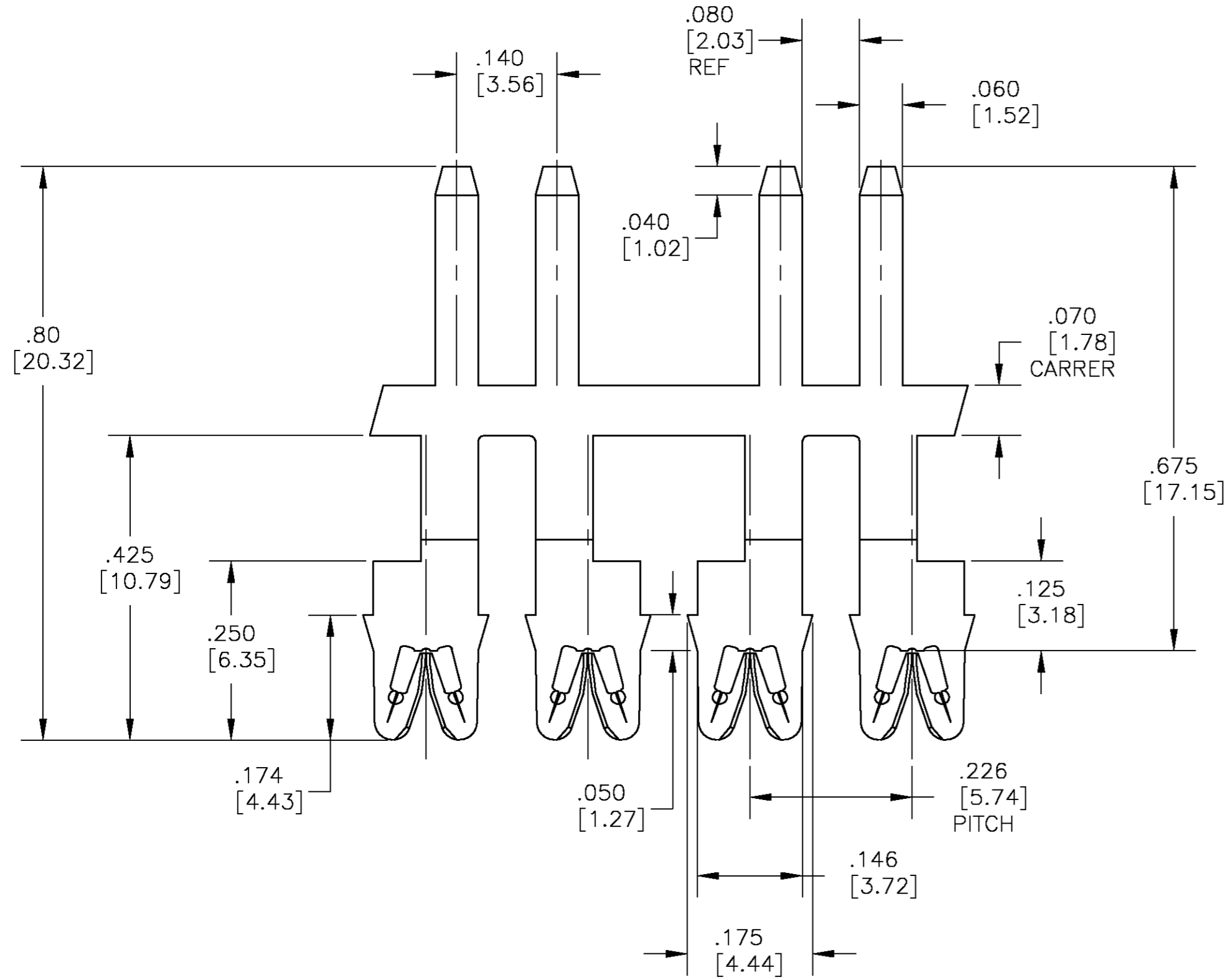
THIS DRAWING IS UNPUBLISHED. RELEASED FOR PUBLICATION  
 © COPYRIGHT BY TYCO ELECTRONICS CORPORATION. ALL RIGHTS RESERVED.

LOC		DIST		REVISIONS			
P	LTR	DESCRIPTION	DATE	DWN	APVD		
AF	50	C	REV PER 0663-0020-03	25APR02	RF	GJ	

1. SPECIFICATIONS:  
 MAGNET WIRE #34 - #18 AWG,  
 .006" [0.16mm] - .040" [1.02mm] DIA.  
 OTHER SIZES MAY BE ACCOMMODATED,  
 CONSULT TYCO ELECTRONICS FOR APPROVAL.

2. POCKET RECOMMENDATION:  
 #1601427

3. NOTES:  
 EACH PART NO. REPRESENTS ONE  
 PAIR OF TERMINALS, ONE LEFT  
 HAND & ONE RIGHT HAND AS SHOWN



-	-	-
-	-	-
-	-	-
-	-	-
Pre-Tin Plate over Copper Underplate	131-034-014	2-1601014-2
Pre-Tin Plate over Copper Underplate	131-033-014	1601014-2
FINISH	REFERENCE PART NUMBER	TYCO PART NUMBER
THIS DRAWING IS A CONTROLLED DOCUMENT.	DWN J.WELLER 11JAN2002	Tyco Electronics Corporation Harrisburg, PA 17105-3608
DIMENSIONS: INCHES	CHK M.FEHER 11JAN2002	
TOLERANCES UNLESS OTHERWISE SPECIFIED:	APVD K.RANDOLPH 11JAN2002	
0 PLC ± -	PRODUCT SPEC 108-2085	
1 PLC ± -	APPLICATION SPEC 408-8629	SIZE A2
2 PLC ± .01[0.25]	WEIGHT -	CAGE CODE 00779
3 PLC ± .005[0.13]	FINISH SEE TABLE	DRAWING NO C=1601014
4 PLC ± - 2	MATERIAL BRASS, 3/4 HARD	RESTRICTED TO -
ANGLES ± 2	CUSTOMER DRAWING	SCALE 6:1
		SHEET 1 OF 1
		REV C