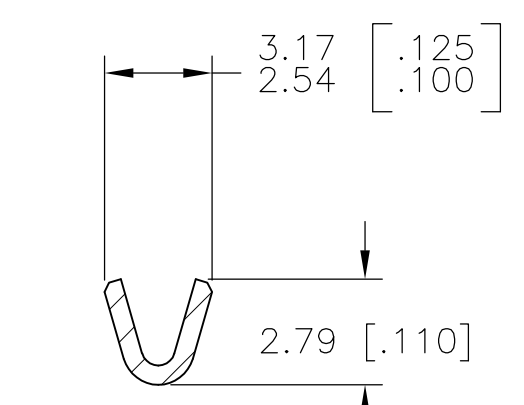
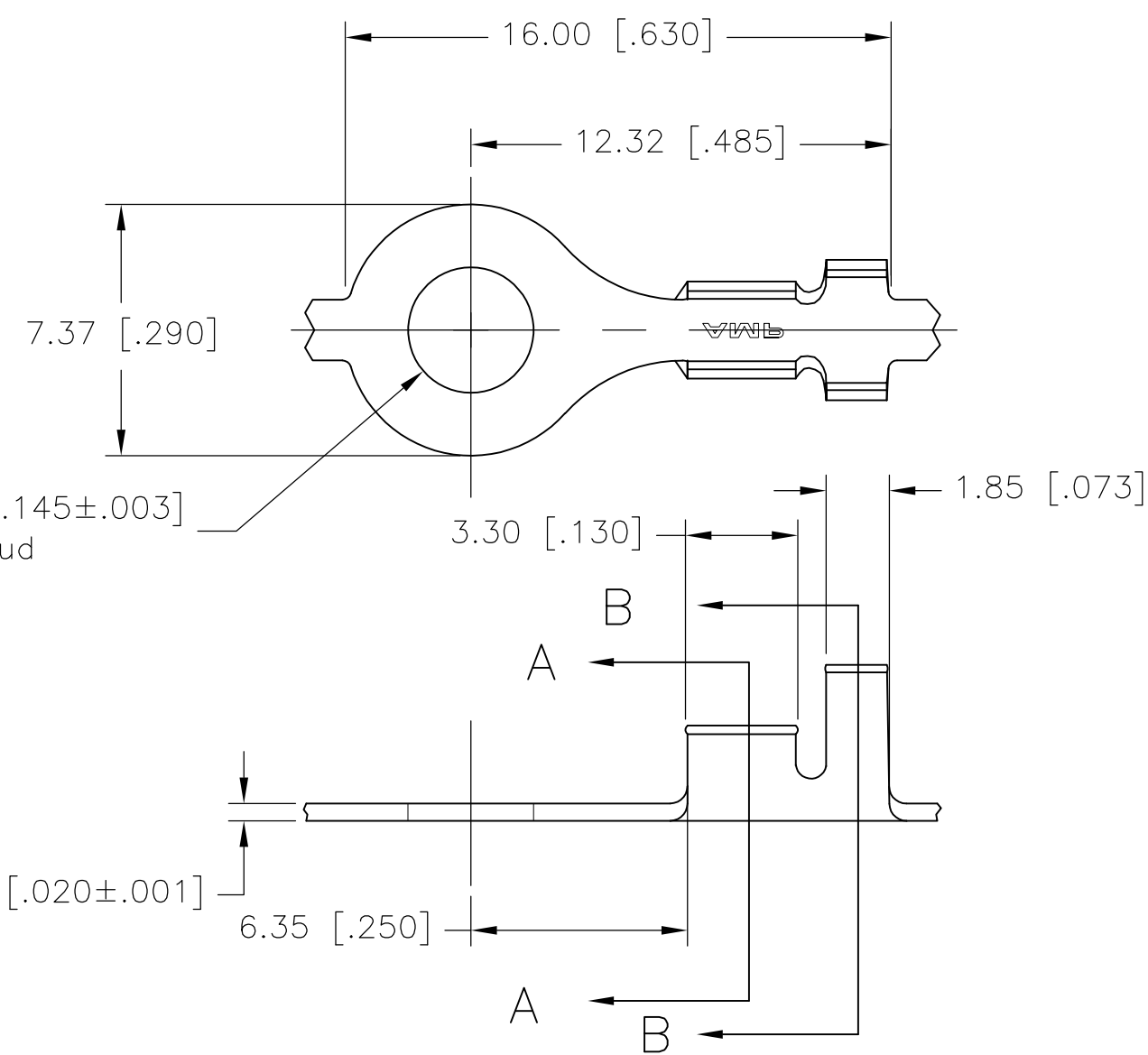


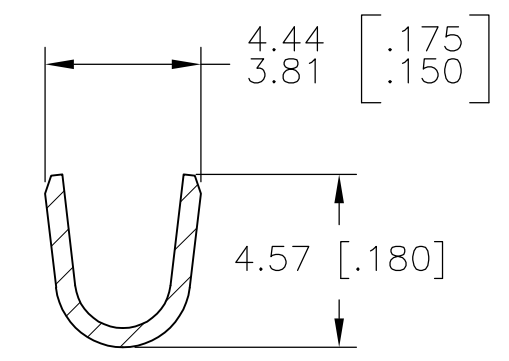
THIS DRAWING IS UNPUBLISHED. RELEASED FOR PUBLICATION  
 © COPYRIGHT BY TYCO ELECTRONICS CORPORATION. ALL INTERNATIONAL RIGHTS RESERVED.

LOC	DIST	REVISIONS			
P	LTR	DESCRIPTION	DATE	DWN	APVD
AF	50	J	REVISED PER ECR-08-008189	24NOV08	HMR DD

- CONTINUOUS STRIP ON REELS.
- WIRE SIZE IS [#24-#20] AWG.
- INSULATION RANGE IS 2.03-2.54 [.080-.100] DIA.



SECTION A-A



SECTION B-B

41580  
PART NO.

THIS DRAWING IS A CONTROLLED DOCUMENT.		DWN J RUTH 22JUL00	Tyco Electronics Corporation Harrisburg, PA 17105-3608	
DIMENSIONS: mm [INCHES]		CHK MS FEHER 22JUL00		
TOLERANCES UNLESS OTHERWISE SPECIFIED:		APVD D DECKER 22JUL00	NAME	
0 PLC ± - 1 PLC ± - 2 PLC ± 0.38 [.015] 3 PLC ± - 4 PLC ± - ANGLES ± -		PRODUCT SPEC	RING TONGUE	
MATERIAL 082 BRASS		FINISH TIN	APPLICATION SPEC	RESTRICTED TO
		WEIGHT	SIZE A3	CAGE CODE 00779
		CUSTOMER DRAWING	DRAWING NO C-41580	RESTRICTED TO
		SCALE 5:1	SHEET 1 OF 1	REV J