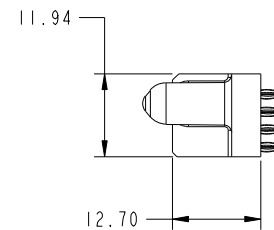
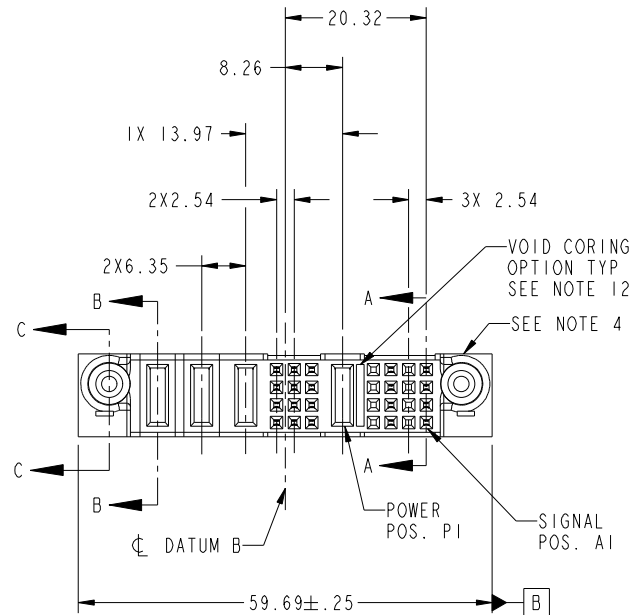


Tous droits strictement reserves. Reproduction ou communication a des tiers interdite sous quelque forme que ce soit sans autorisation écrite du propriétaire. Propriete de c FCI. Droits de reproduction FCI.



All rights strictly reserved. Reproduction or issue to third parties in any form whatever is not permitted without written authority from the proprietor. Property of FCI. Copyright FCI.

PRODUCT NO.	ROWS	POWER			SIG			PWR			SIG			E1
		E2	P4	P3	P2	7	6	5	P1	4	3	2	1	
51940-260- NOTE 3	D C B A													



CODE	DIM "M" MATING LENGTH	CONTACT TYPE
PC	1.07	POWER
F	N/A	SIGNAL
PF	2.34	POWER
X	OMITTED	

mat'l code				tolerances unless otherwise specified				CUSTOMER			
ltr	ecn no.	dr	date	linear	0.X ± 0.5			COPY		www.fciconnect.com	
A	DG08-0199	SH	07/31/08	angles	0.XX ± 0.25			projection		title	
					0.XXX ± 0.1					16S+1P+12S +3P VERTICAL PF RECEPT	
					0° ± 2°			MIM		product family PwrBlade code 213	
				dr	Sincere He	07/23/08		scale		size	
				enr	Sincere He	07/23/08		1:1		dwg no	
				chr	Gary Hsieh	07/23/08				51940-260	
				appd	Joseph Hsia	07/23/08				sheet 1 of 4	
sheet index	revision sheet	A	A	A	A	A	A			cage code 22526	
1	2	3	4							4	

Pro/E

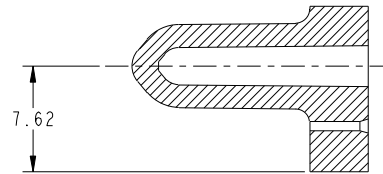
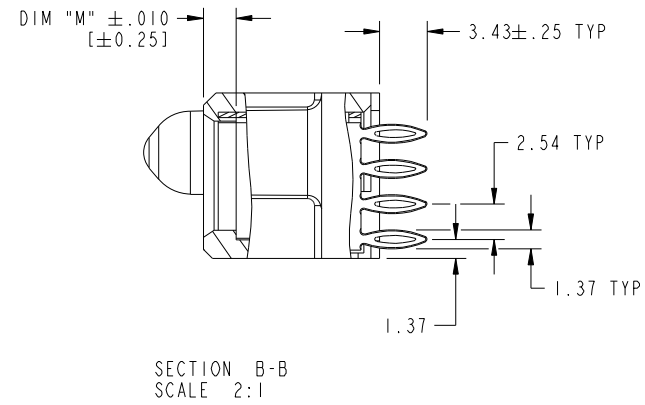
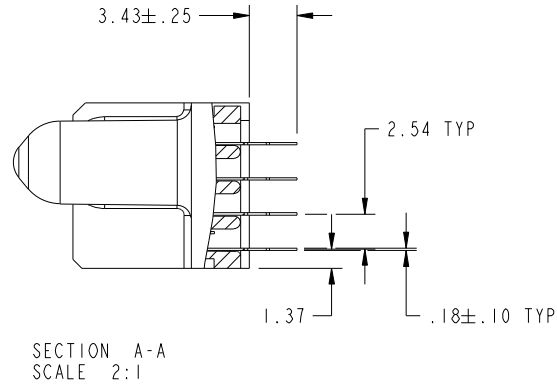
cage code 22526

Tous droits strictement reserves. Reproduction ou communication a des tiers interdite sous quelque forme que ce soit sans autorisation ecrite du proprietaire. Propriete de c FCI. Droits de reproduction FCI.



All rights strictly reserved. Reproduction or issue to third parties in any form whatever is not permitted without written authority from the proprietor. Property of FCI. Copyright FCI.

PRODUCT NUMBER
51940-260--
NOTE 3



mat'l code				tolerances unless otherwise specified		CUSTOMER		FCI	
ltr	ecn no.	dr	date	linear	0.X ± 0.5	COPY		www.fciconnect.com	
A					0.XX ± 0.25	projection		title	
				angles	0.XXX ± 0.1			16S+1P+12S +3P VERTICAL PF RECEPT	
				dr	Sincere He 07/23/08			product family PwrBlade code	
				enr	Sincere He 07/23/08			size 213	
				chr	Gary Hsieh 07/23/08	scale		dwg no 51940-260 sheet	
				appd	Joseph Hsia 07/23/08	1:1		2 of 4	
sheet index		revision sheet							

cage code 22526

Pro/E

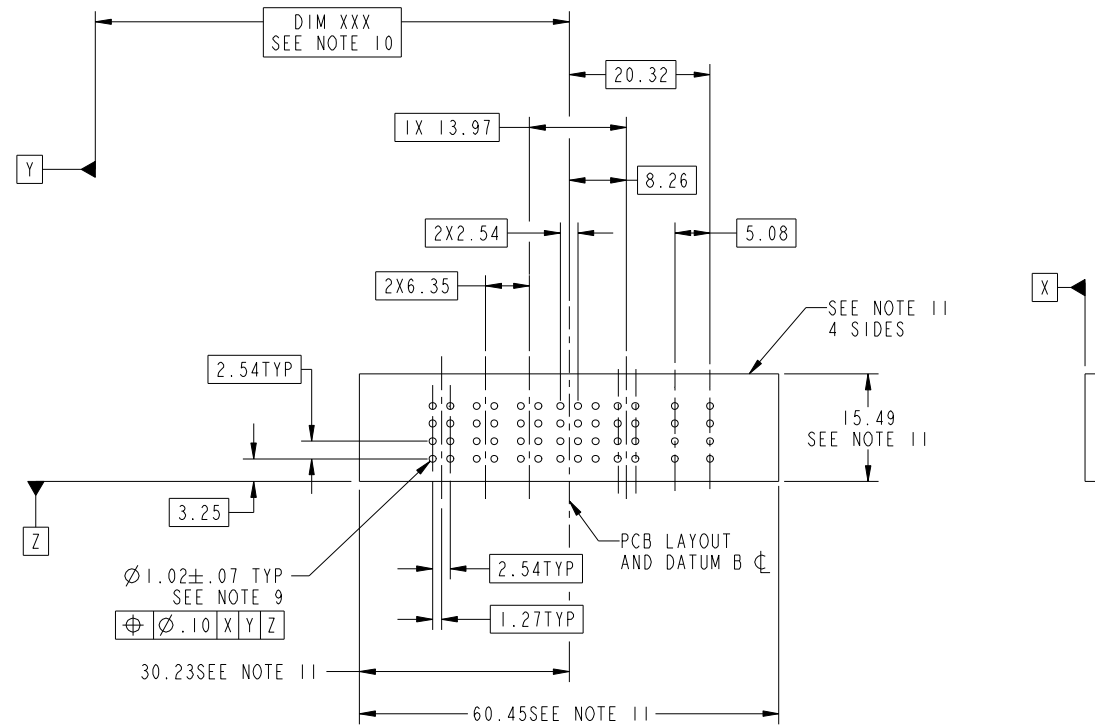
Tous droits strictement reserves. Reproduction ou communication a des tiers interdite sous quelque forme que ce soit sans autorisation ecrite du proprietaire. Propriete de c FCI. Droits de reproduction FCI.



All rights strictly reserved. Reproduction or issue to third parties in any form whatever is not permitted without written authority from the proprietor. Property of FCI. Copyright FCI.

PRODUCT NUMBER
51940-260--
NOTE 3

1 | 2 | 3 | 4



RECOMMENDED PCB LAYOUT

mat'l code				tolerances unless otherwise specified		CUSTOMER		FCI	
ltr	ecn no.	dr	date	linear	0.X ± 0.5	COPY		www.fciconnect.com	
A					0.XX ± 0.25	projection		title	
				angles	0.XXX ± 0.1			16S+1P+12S +3P VERTICAL PF RECEPT	
				dr	Sincere He 07/23/08	MIM		product family PwrBlade code 213	
				enr	Sincere He 07/23/08			size dwg no 213	
				chr	Gary Hsieh 07/23/08	scale 1:1		sheet 3 of 4	
				appd	Joseph Hsia 07/23/08			51940-260	
sheet index		revision sheet						cage code 22526	

Pro/E

cage code 22526

1 | 2 | 3 | 4

Tous droits strictement reserves. Reproduction ou communication a des tiers interdite sous quelque forme que ce soit sans autorisation écrite du propriétaire. Propriete de c FCI. Droits de reproduction FCI.



All rights strictly reserved. Reproduction or issue to third parties in any form whatever is not permitted without written authority from the proprietor. Property of FCI. Copyright FCI.

PRODUCT NUMBER
51940-260--
NOTE 3

NOTES:

1. DIMENSIONS AND TOLERANCES ARE IN ACCORDANCE WITH ASME Y14.5M, 1994 UNLESS OTHERWISE SPECIFIED.

CONNECTOR NOTES:

- 2 HOUSING MATERIAL: UL 94 V-0 GLASS FILLED
HIGH-TEMP THERMOPLASTIC
POWER CONTACT MATERIAL: COPPER ALLOY
SIGNAL PIN MATERIAL: COPPER ALLOY
- 3. PLATING:
SEE PRINT 10064183 FOR PLATING SPEC OF 51940-260;51940-260LF
- 4 MANUFACTURER'S NAME, P/N, AND DATE CODE TO APPEAR ON THIS SURFACE.
- 5. PRODUCT SPECIFICATION GS-12-149.
APPLICATION SPECIFICATION BUS-20-067.

6. PACKAGED IN TRAYS.

PCB NOTES:

- 7. ALL HOLE DIAMETERS ARE FINISHED HOLE SIZE.
- 8 MOUNTING HOLES, WHERE APPLICABLE, ARE UNPLATED.
- 9 $\varnothing 1.151 \pm 0.025$ DRILLED HOLES PLATED WITH
0.008 MIN SnPb OVER 0.03
TO 0.08 Cu PLATING TO ACHIEVE
 $\varnothing 1.02 \pm 0.07$ HOLE.
- 10 "DIM XXX" TO BE DETERMINED BY THE CUSTOMER.
- 11 CONNECTOR KEEP-OUT ZONE.

12. THE VOID CORING IN BETWEEN POWER MODULES, SIGNAL MODULES AND END MODULES ARE OPTIONAL AND THE SHAPE MAY BE DIFFERENT FOR OPTIMIZE THE MOLDING PROCESS, THE VOID CORING WILL NO EFFECT TO PRODUCT FUNCTION.

mat'l code				tolerances unless otherwise specified		CUSTOMER		FCI		www.fciconnect.com		
litr	ecn no.	dr	date	linear	COPY		projection	title				
A					0.X ± 0.5				16S+1P+12S +3P VERTICAL PF RECEPT			
					0.XX ± 0.25				product family PwrBlade code 213			
				angles	0° ± 2°			size		sheet		
					dr	Sincere He		07/23/08	dwg no		4 of 4	
				enr	Sincere He	07/23/08	scale		A			
				chr	Gary Hsieh	07/23/08	1:1		51940-260			
				appd	Joseph Hsia	07/23/08						
sheet index	revision sheet											

cage code 22526

Pro/E