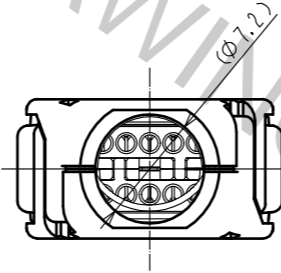
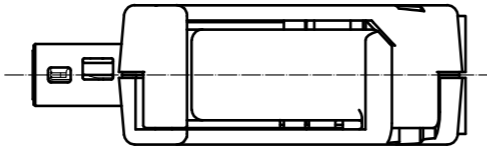
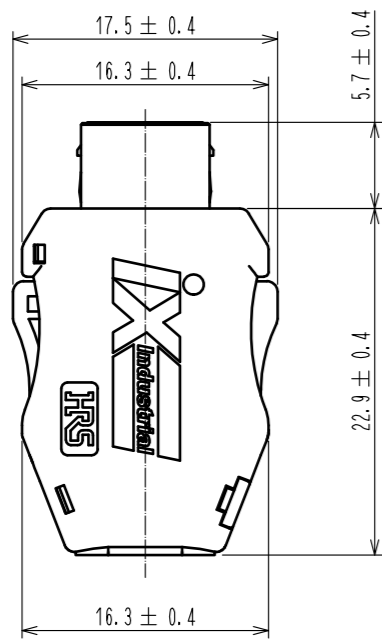
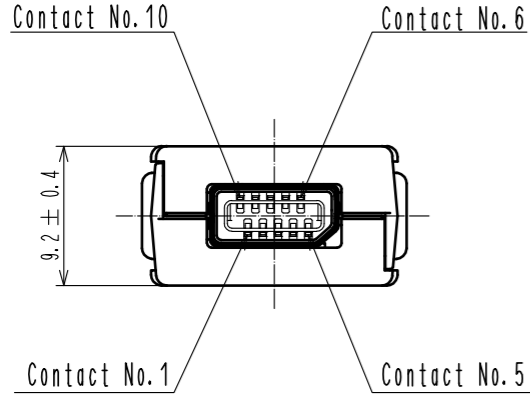
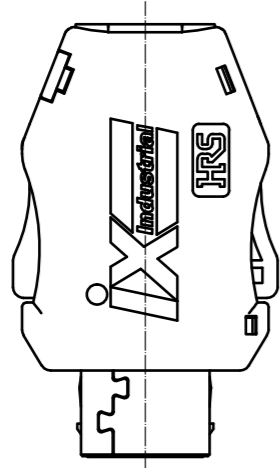


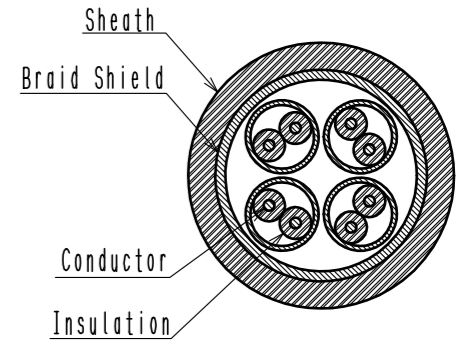
Aug.1.2018 Copyright 2018 HIROSE ELECTRIC CO., LTD. All Rights Reserved.
 In case that the application demands a high level of reliability, such as automotive,
 please contact a company representative for further information.



Notes. 1. Applicable cable condition is shown below.
 In case of using a not applicable cable, please contact our sales representative.
 Refer to the technical specification (ETAD-E3162-00) for wiring and assembly procedure.

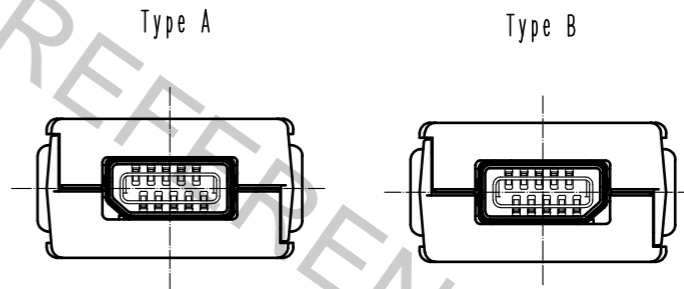
Applicable Cable

Items		Applicable Condition
Conductor	Size	AWG#28 to 26
	Composition	7 stranded
	Material	Annealed copper wire
Insulation O. D.		φ 0.95 to 1.05mm
Braid Shield		Tin plating
Sheath O. D.		φ 6.3 to 7.2mm



2. This product (Type B) is used for non Ethernet applications
 like signaling, serial or other industrial bus communication systems.
 Please use Type A for 10/100Mbit/s and 1/10 Gbit/s Ethernet communication.

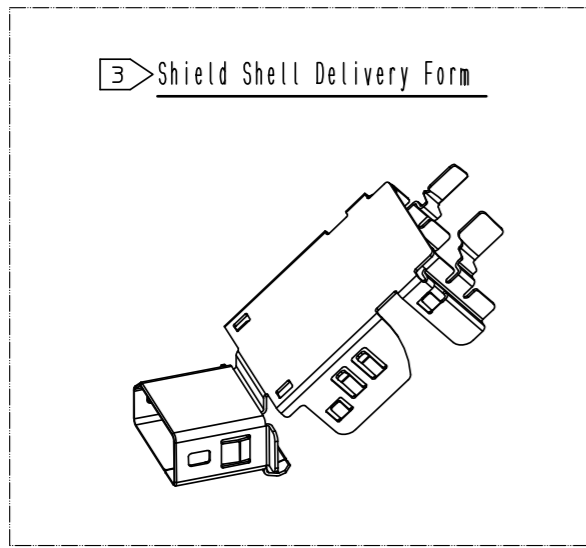
Mating Shape



③ This product except plug unit is packed separately by the types of parts.
 Shield Shell is packed in pre-bended state. (See next page.)

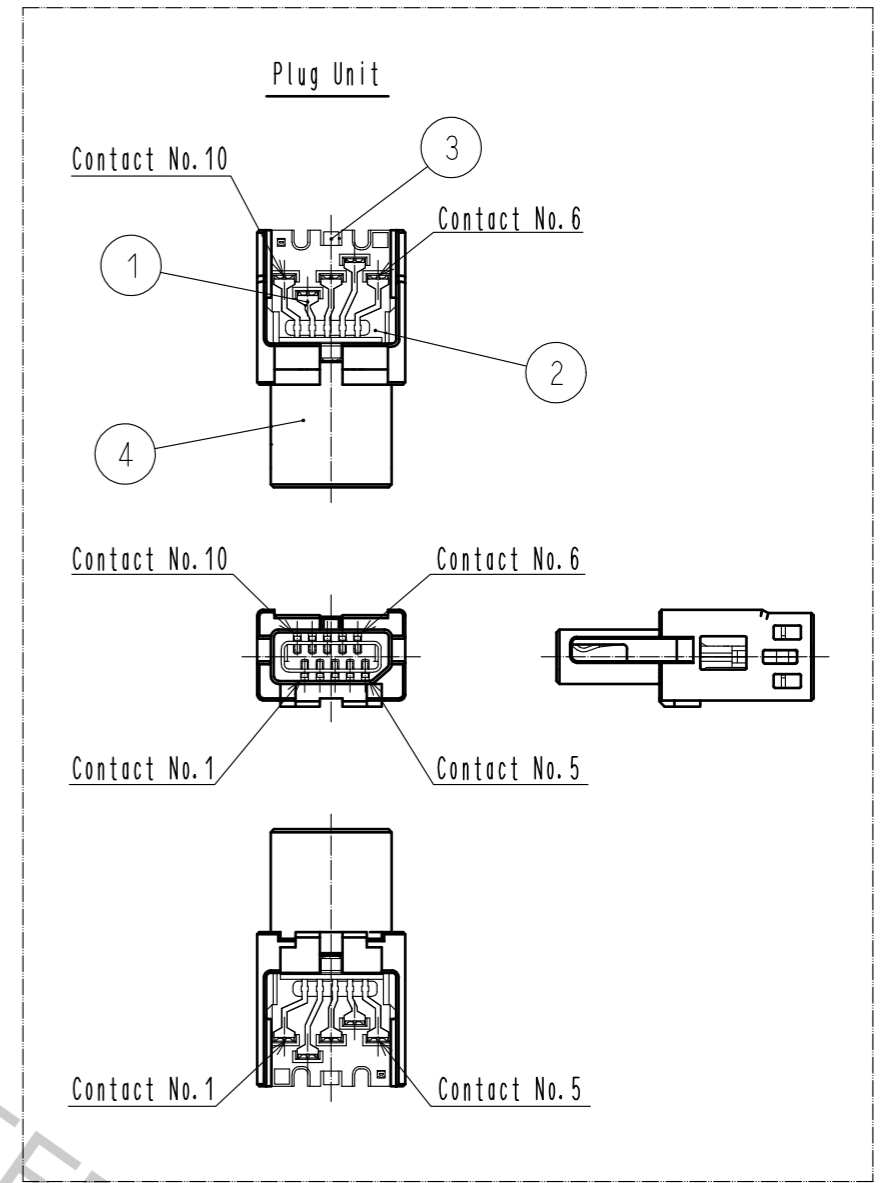
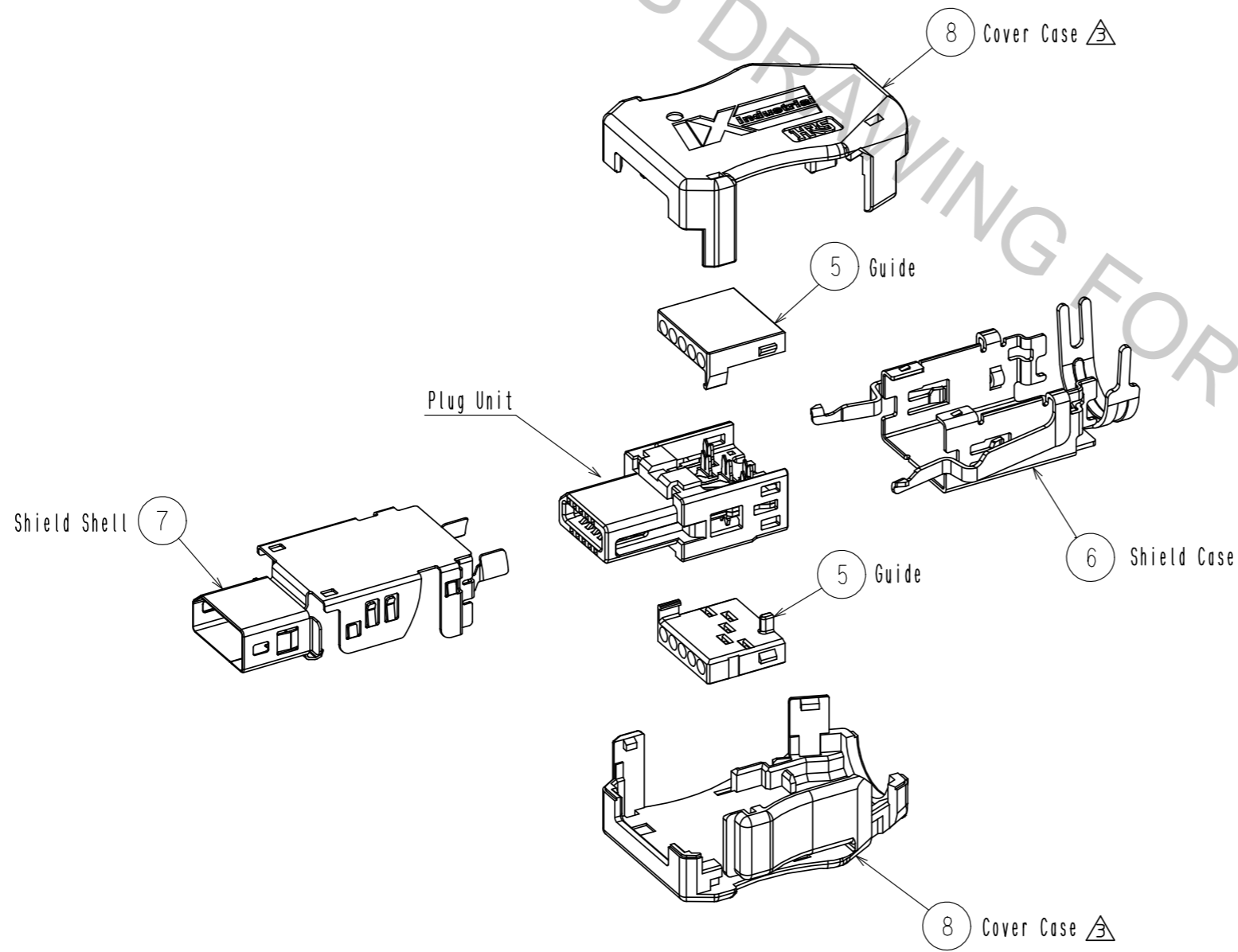
4	PA	Black, UL94V-0	8	PC	Dark gray, UL94V-0
3	Stainless Steel		7	Stainless Steel	Nickel 0.2 μm min
2	PA	Black, UL94V-0	6	Stainless Steel	Nickel 1 μm min
1	Copper Alloy	Contact area : Gold 0.2 μm min Wiring area : Gold 0.03 μm min Under plating : Nickel 2 μm min	5	PC	Clear, UL94V-0
NO.	MATERIAL	FINISH . REMARKS	NO.	MATERIAL	FINISH . REMARKS
UNITS mm		SCALE 2 : 1	COUNT 2	DESCRIPTION OF REVISIONS DIS-E-00001437	
DESIGNED SG. CHAMURA		CHECKED KI. NAGANUMA		DATE 18.07.02	
APPROVED : RI. TAKAYASU 17.03.24		DRAWING NO. EDC-129487-00-00			
CHECKED : KI. NAGANUMA 17.03.24		PART NO. IX30G-B-10S-CV(7.0)			
DESIGNED : HT. SATO 17.03.24		CODE NO. CL251-0025-0-00			
DRAWN : HT. SATO 17.03.24					

Aug.1.2018 Copyright 2018 HIROSE ELECTRIC CO., LTD. All Rights Reserved.
 In case that the application demands a high level of reliability, such as automotive,
 please contact a company representative for further information.

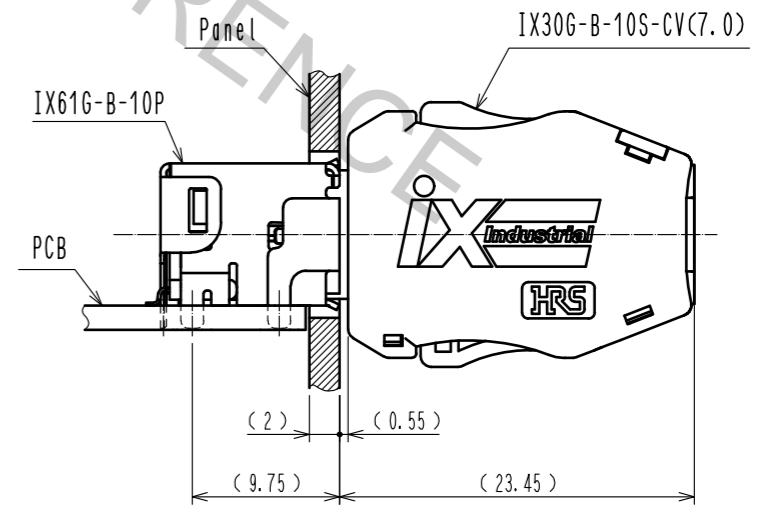


Shield Shell Delivery Form

Product Structure



Mating Condition



HRS	DRAWING NO.	EDC-129487-00-00	
	PART NO.	IX30G-B-10S-CV(7.0)	
	CODE NO.	CL251-0025-0-00	
			\triangle 2/2