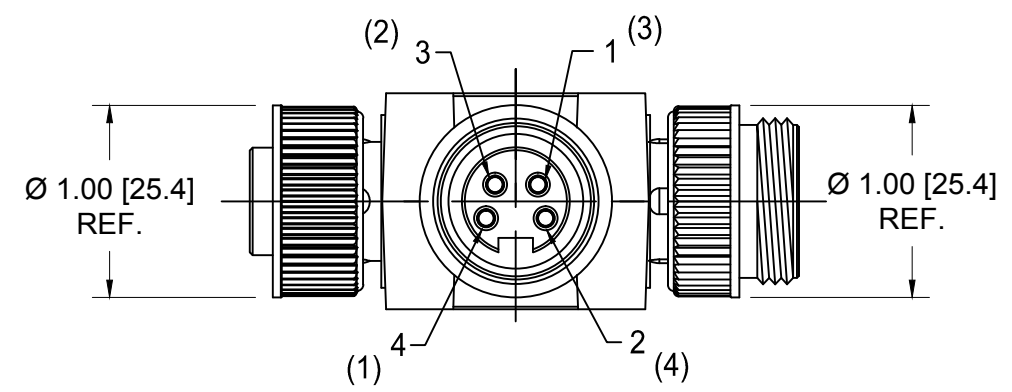
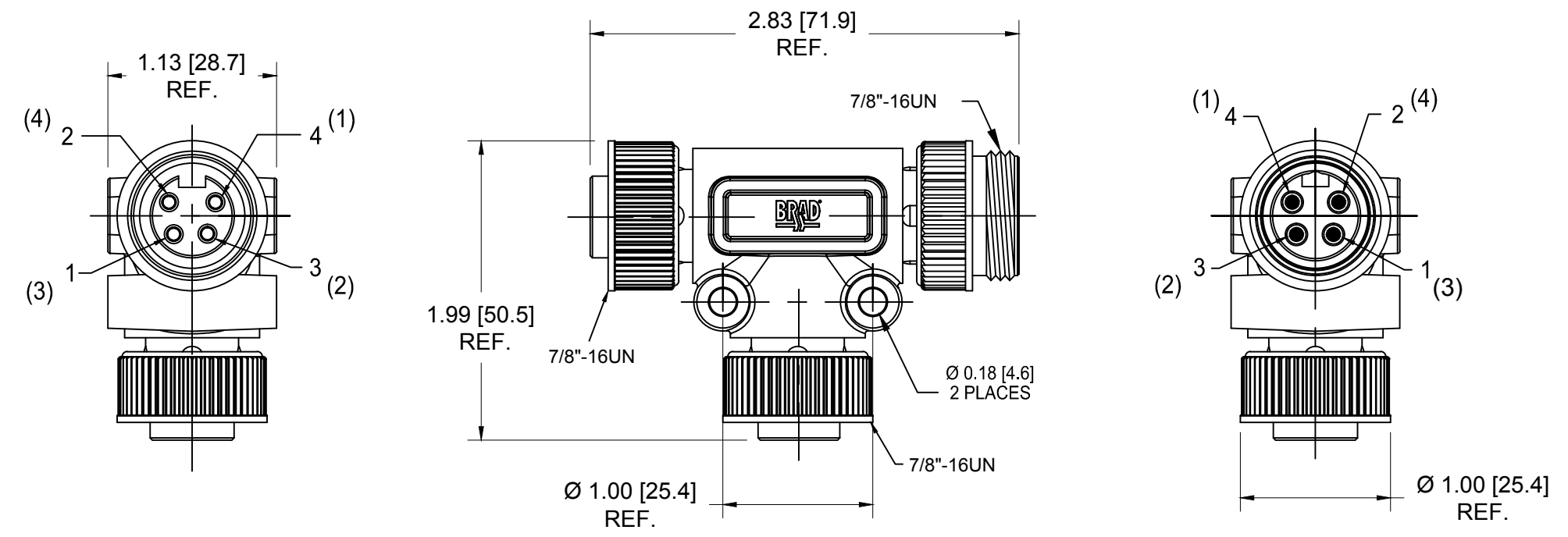


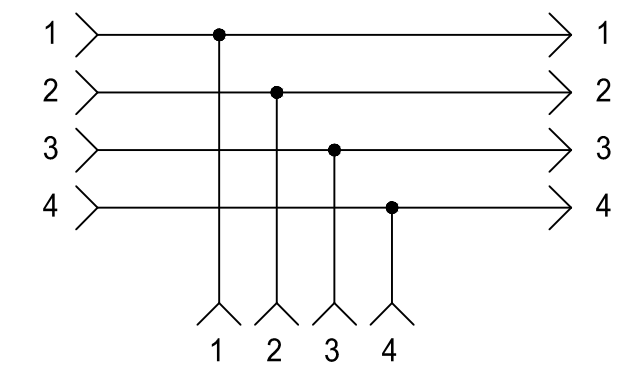
MOLEX SAP P/N	ENGINEERING P/N	COLOR
1300350085	DNETAUXPT	YELLOW
1300350115	DNETAUXPTG	BLACK

\* CENELEC EN 50 044 PINOUT SHOWN (SAE-J-1738A SHOWN IN PARENTHESIS)

(B)



SCHEMATIC



SPECIFICATIONS:

COUPLING NUT MATERIAL: ZINC DIECAST WITH BLACK ELECTROPHORETIC COATING  
 CONTACT MATERIAL: GOLD/NICKEL OVER COPPER ALLOY  
 INSERT MATERIAL: TPE, COLOR: SEE CHART  
 OVERMOLD MATERIAL: TPE, COLOR: SEE CHART  
 ASSEMBLY RATING: 600V, 10A  
 ENVIRONMENTAL: -20°C TO 80°C  
 IP67 WHEN MATED  
 AGENCY APPROVALS: UL LISTED

ADD P/N 1300350115 - BLACK EC NO: IPG2016-1763 DRWN: RSTONE 6/28/16 CHKD: M ZIELIN 2016/06/30 APPR: BWOODMAN 2012/07/05	DESCRIPTION REV B	QUALITY SYMBOLS ▽=0 ◻=0	GENERAL TOLERANCES (UNLESS SPECIFIED) mm INCH 4 PLACES ±--- ±--- 3 PLACES ±--- ±.005 2 PLACES ±0.13 ±.010 1 PLACE ±0.25 ±.020 ANGULAR ±.5°	DIMENSION STYLE INCH/MM DRAWN BY DATE VOU 2012/06/26 CHECKED BY DATE KJOZWIK 2012/06/31 APPROVED BY DATE JFMURPHY 2012/07/05	SCALE 1:1 DESIGN UNITS INCH THIRD ANGLE PROJECTION	TITLE MINI-CHANGE 4-POLE TEE	MATERIAL NO. SEE CHART	DOCUMENT NO. SD-130035-014	SHEET NO. 1 OF 1	
		DRAFT WHERE APPLICABLE MUST REMAIN WITHIN DIMENSIONS			THIS DRAWING CONTAINS INFORMATION THAT IS PROPRIETARY TO MOLEX INCORPORATED AND SHOULD NOT BE USED WITHOUT WRITTEN PERMISSION					
					MOLEX INCORPORATED					