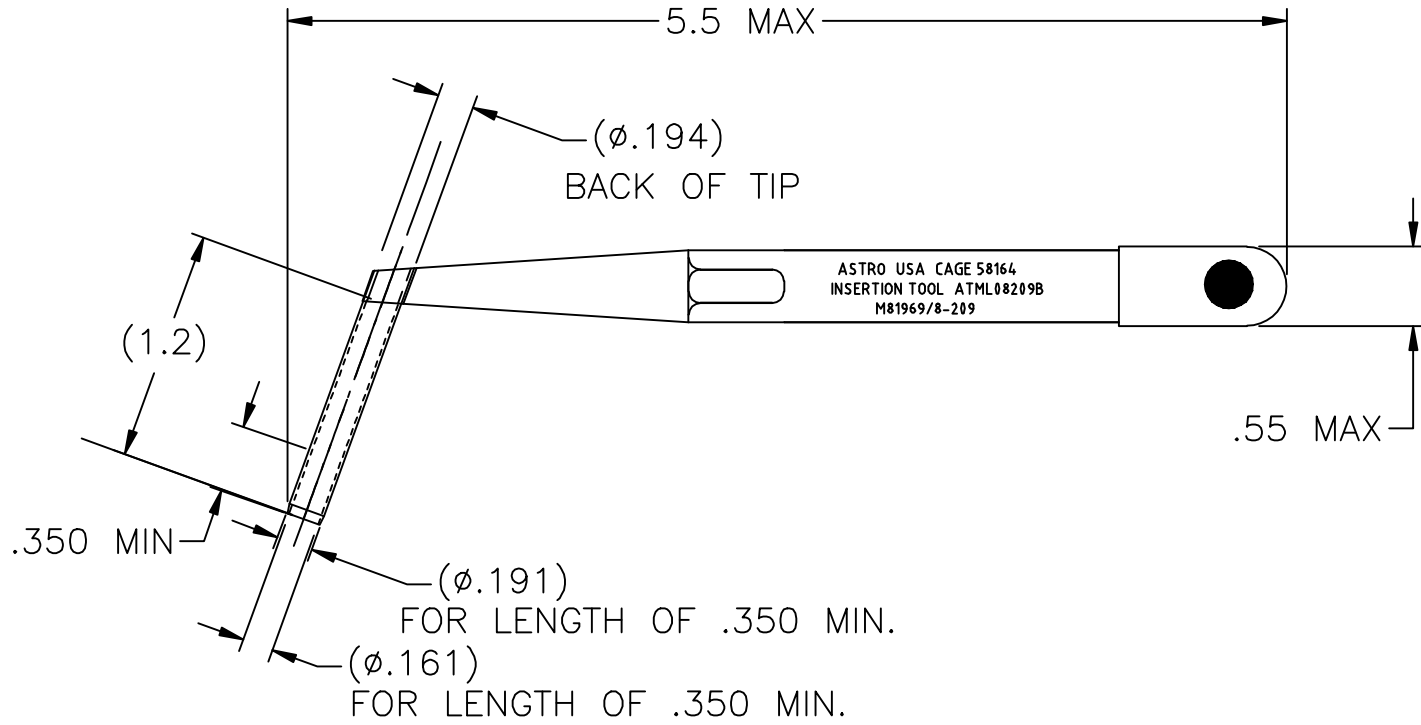


UNCONTROLLED DOCUMENT
WILL NOT BE UPDATED

ATML 08209B-ENV



3. WITH TIPS CLOSED AROUND A .1600+.0000/- .0002 PIN, MAX. GAP TO BE .006 BETWEEN TIPS.
2. COLOR CODE: YELLOW AND BLACK.

NOTES: 1. THIS IS AN AUTOCAD DRAWING, DO NOT CHANGE MANUALLY.

<p>THESE DRAWINGS, SPECIFICATIONS OR OTHER DATA ARE AND REMAIN, THE PROPERTY OF ASTRO TOOL CORP. AND MUST BE RETURNED UPON REQUEST. THEY CONTAIN INFORMATION OWNED AND/OR DEVELOPED BY ASTRO AT ITS OWN PRIVATE EXPENSE AND MAY NOT BE USED, DUPLICATED OR DISCLOSED TO OTHERS, IN WHOLE OR IN PART FOR DESIGN, MANUFACTURE OR PROCUREMENT WITHOUT THE WRITTEN PERMISSION OF ASTRO TOOL CORP. EACH AND EVERY TIME.</p>					<p>SCALE: N.T.S.</p>		<p>UNLESS OTHERWISE SPECIFIED: DECIMALS: .XXX ± .005 .XX ± .010 .X ± .030</p>		<p>CAGE 58164</p>	
					<p>DWN BY: DYO</p>		<p>ASTRO TOOL CORP. 21615 S.W. TUALATIN VALLEY HWY., BEAVERTON OR 97006</p>		<p>DESCRIPTION: ENVELOPE DRAWING: ATML08209B TWZ, INS 12 GA., (M81969/8-209 REV. B)</p>	
					<p>DATE: 12-04-15</p>		<p>ANGLES: ± 1°</p>		<p>PART NO. A ATML 08209B-ENV</p>	
					<p>APPROVED:</p>					
REV.	DESCRIPTION	BY	DATE	APR.						
A	NEW RELEASE.	DYO	12-04-15	MMK						