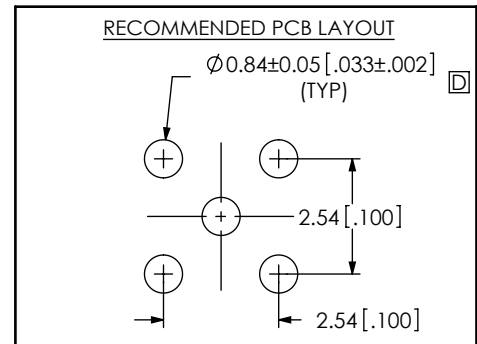
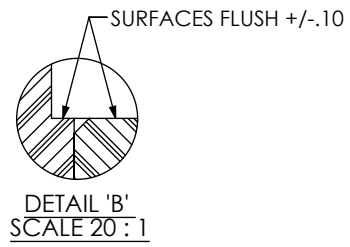
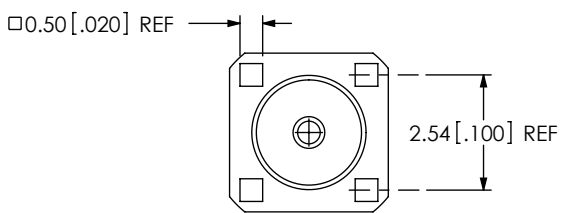
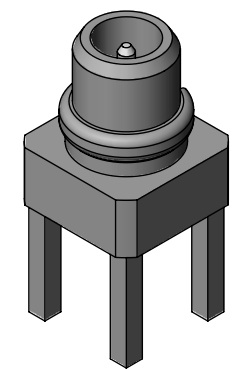
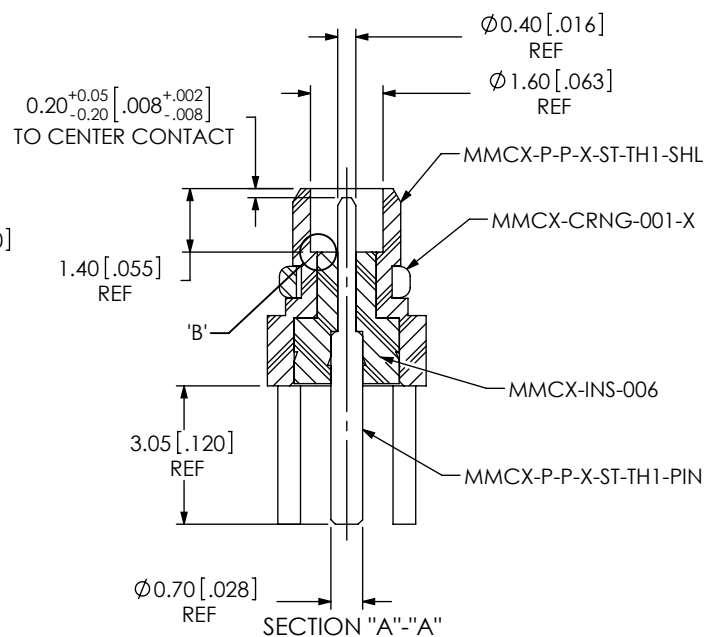
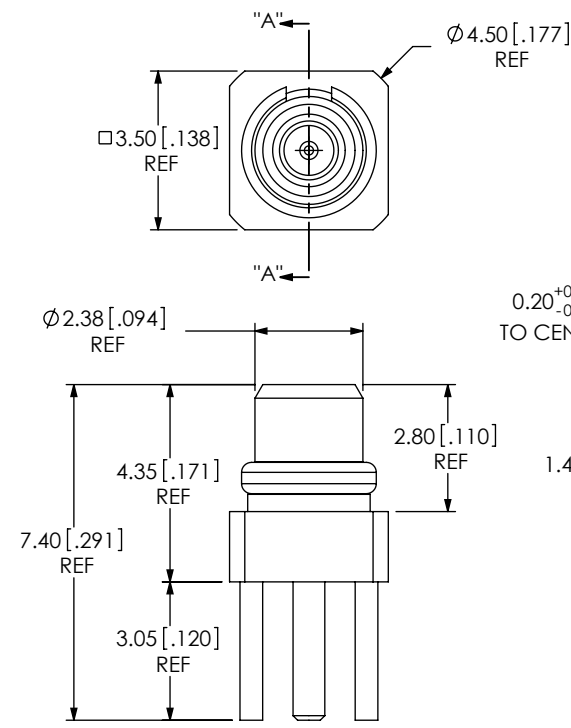


DO NOT SCALE FROM THIS PRINT

DESIGNED & DIMENSIONED IN MILLIMETERS [INCHES]

MMCX-P-P-X-ST-TH1

GENDER -P: PLUG  
 TYPE -P: PCB  
 PLATING SPECIFICATION -H HEAVY GOLD (SEE TABLE 1)  
 TERMINATION -TH1: THROUGH HOLE  
 ORIENTATION -ST: STRAIGHT



- NOTES:
1. REPRESENTS A CRITICAL DIMENSION.
  2. PUSHOUT FORCE FOR INSULATOR: 22.24 N [5 LB] MIN.
  3. PUSHOUT FORCE FOR CENTER CONTACT: 11.12 N [2.5 LB] MIN.
  4. INSERTION AND WITHDRAWAL FORCES PER 2.2.2 OF EN 122340:2002. INSERTION = 18 N [4 LB] MAX. WITHDRAWAL = 6 N [1.3 LB] MIN. / 18 N [4 LB] MAX.
  5. PARTS TO BE PACKAGED IN TRAYS; SEE CO-HD-WI-3040-M RF PACKAGING FOR PACKAGING INSTRUCTIONS.
  6. RoHS COMPLIANT.

F:\DWG\MISC\MKTG\MMCX-P-P-X-ST-TH1-MKT.SLDDRW

UNLESS OTHERWISE SPECIFIED, DIMENSIONS ARE IN MILLIMETERS [INCHES]. TOLERANCES ARE:  
 DECIMALS ANGLES  
 .X: ±0.3 [.01] 2°  
 .XX: ±0.13 [.005]  
 .XXX: ±0.051 [.0020]

PROPRIETARY NOTE  
 THIS DOCUMENT CONTAINS INFORMATION CONFIDENTIAL AND PROPRIETARY TO SAMTEC, INC. AND SHALL NOT BE REPRODUCED OR TRANSFERRED TO OTHER DOCUMENTS OR DISCLOSED TO OTHERS OR USED FOR ANY PURPOSE OTHER THAN THAT WHICH IT WAS OBTAINED WITHOUT THE EXPRESSED WRITTEN CONSENT OF SAMTEC, INC.

MATERIAL: DO NOT SCALE DRAWING SHEET SCALE: 6:1  
 SEE TABLE 1

520 PARK EAST BLVD, NEW ALBANY, IN 47150  
 PHONE: 812-944-6733 FAX: 812-948-5047  
 e-Mail: info@SAMTEC.com code: 5332

TABLE 1: MATERIAL			
SAMTEC PART NUMBER	ITEM	MATERIAL	PLATING - (REFERENCE)
MMCX-P-P-X-ST-TH1-SHL	SHELL	BRASS C3604B	0.00013 [.000005] GOLD OVER .00127 [.000050] NICKEL
MMCX-INS-006	INSULATOR	PTFE TEFLON (WHITE)	N/A
MMCX-P-P-X-ST-TH1-PIN	PIN	BRASS C3602B	0.00076 [.000030] GOLD OVER .00127 [.000050] NICKEL
MMCX-CRNG-001	C-RING	BeCu C17300	0.00008 [.000003] GOLD OVER .00127 [.000050] NICKEL

DESCRIPTION: MMCX STRAIGHT, THROUGH HOLE PLUG- 50 OHM  
 DWG. NO. **MMCX-P-P-X-ST-TH1**  
 BY: R MUSSER 12/03/2007 SHEET 1 OF 1