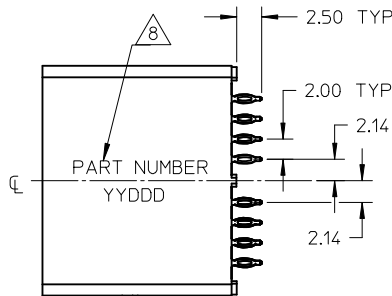
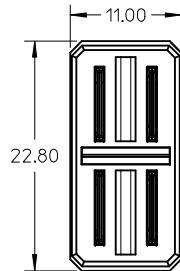
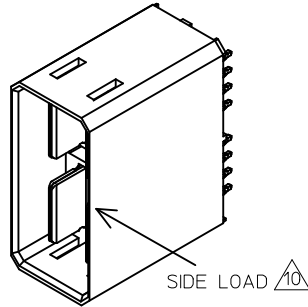
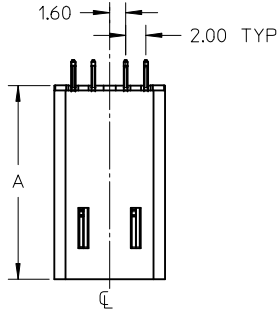


10	9	8	7
PART NUMBER	STACK HEIGHT	DIMENSION A	PLATING OPTIONS
78692-2222	22	19.25	TIN PLATING
78692-1822	18	15.25	
			PACKAGING
			TRAY



NOTES:

1. MATERIAL:

HOUSING - LCP, GLASS FILLED, UL94-V0, COLOR: BLACK
POWER PIN - COPPER ALLOY

2. FINISHES:

TIN - 0.76 μ m MINIMUM GOLD AT CONTACT AND
2.54 μ m MINIMUM TIN AT SOLDER TAIL AREA OVER
1.27 μ m MINIMUM NICKEL UNDERPLATE OVERALL.

3. PRODUCT SPECIFICATION: PS-78213-001.

4. PACKAGING SPECIFICATION: PK-78692-001.

5. MATES WITH 78216-****.

6. REFER SHEET 2 FOR RECOMMENDED PCB LAYOUT.

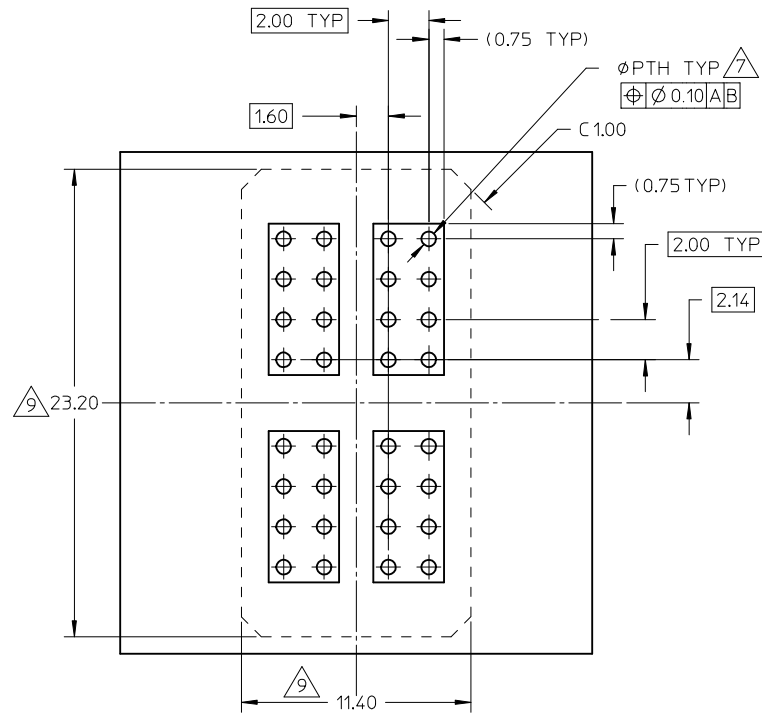
7. REFER TO MOLEX PRODUCT SPECIFICATION PS-78213-001 FOR
PLATED THROUGH-HOLE SPECIFICATIONS.

8. PART NUMBER AND DATE CODE (YYDD) APPROXIMATELY SHOWN.

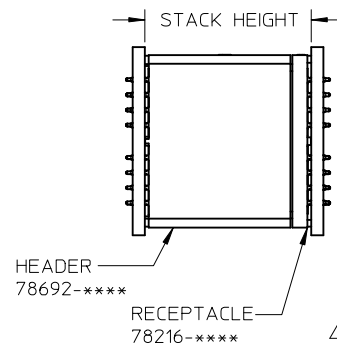
9. KEEP OUT ZONE FROM OTHER COMPONENTS.

10. NO SIDE LOAD SHALL BE SUBJECTED TO THIS CONNECTOR AFTER
IT IS PRESSED FIT ONTO PCB.

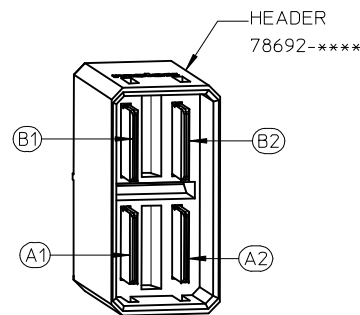
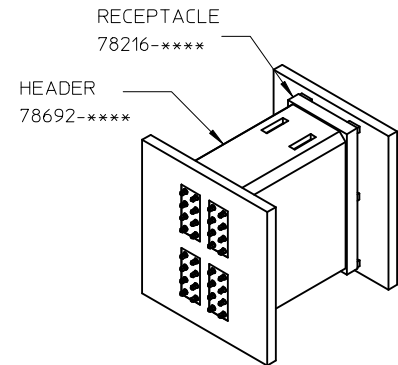
ADDED 78692-1822 EC NO: S2016-0507 DRWN: SHONG 2015/11/25 CHYKD: BOKOK 2016/02/22 APPR: SHLENI 2016/02/22	QUALITY SYMBOLS	GENERAL TOLERANCES (UNLESS SPECIFIED)	DIMENSION STYLE	SCALE	DESIGN UNITS	THIRD ANGLE PROJECTION
	$F_A=0$	mm INCH	MM ONLY	NTS	METRIC	
	$F_G=0$	4 PLACES \pm --- \pm ---	DRAWN BY DATE			
	$F_P=0$	3 PLACES \pm --- \pm ---	LNG 2011/03/04			
	2 PLACES \pm 0.25 \pm ---	CHECKED BY DATE				TITLE IMPACT POWER, 5 PAIR VERTICAL HEADER PRESS FIT
	1 PLACE \pm --- \pm ---	CTCHO 2011/05/19				
	ANGULAR \pm 3°	APPROVED BY DATE				MOLEX INCORPORATED MATERIAL NO. DOCUMENT NO. SHEET NO.
		SHONG 2011/06/17				
		DRAFT WHERE APPLICABLE MUST REMAIN WITHIN DIMENSIONS	SEE TABLE			SD-78692-001 1 OF 2
			SIZE A3	THIS DRAWING CONTAINS INFORMATION THAT IS PROPRIETARY TO MOLEX INCORPORATED AND SHOULD NOT BE USED WITHOUT WRITTEN PERMISSION		



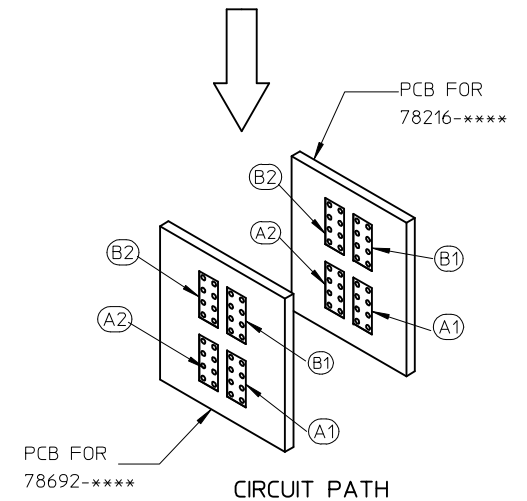
RECOMMENDED PCB LAYOUT
(COMPONENT SIDE SHOWN)
MINIMUM BOARD THICKNESS: 1.60mm



Δ MATED SYSTEM WITH 78692



PIN NUMBER ASSIGNMENT
BASED ON HEADER SIDE:
A1, B1 ON THE LEFT
A2, B2 ON THE RIGHT



ADDED 78692-1822 EC NO: S2016-0507 DRWN: SHONG 2015/11/25 CHKD: BOKOK 2016/02/22 APPR: SILENI 2016/02/22	QUALITY SYMBOLS	GENERAL TOLERANCES (UNLESS SPECIFIED)	DIMENSION STYLE	SCALE	DESIGN UNITS	THIRD ANGLE PROJECTION	
	$F_A = 0$	4 PLACES	mm INCH	MM ONLY	NTS	METRIC	
	$F_C = 0$	3 PLACES	\pm ---	DRAWN BY DATE	LNG 2011/03/04	TITLE	IMPACT POWER, 5 PAIR VERTICAL HEADER PRESS FIT
	$F_P = 0$	2 PLACES	± 0.25	CHECKED BY DATE	CTCHO 2011/05/19	MOLEX	MOLEX INCORPORATED
	1 PLACE	\pm ---	APPROVED BY DATE	SHONG 2011/06/17	DOCUMENT NO.	SD-78692-001	
		ANGULAR $\pm 3^\circ$	MATERIAL NO.	SEE TABLE		SHEET NO. 2 OF 2	
		DRAFT WHERE APPLICABLE MUST REMAIN WITHIN DIMENSIONS	SIZE	THIS DRAWING CONTAINS INFORMATION THAT IS PROPRIETARY TO MOLEX INCORPORATED AND SHOULD NOT BE USED WITHOUT WRITTEN PERMISSION			
			A3				