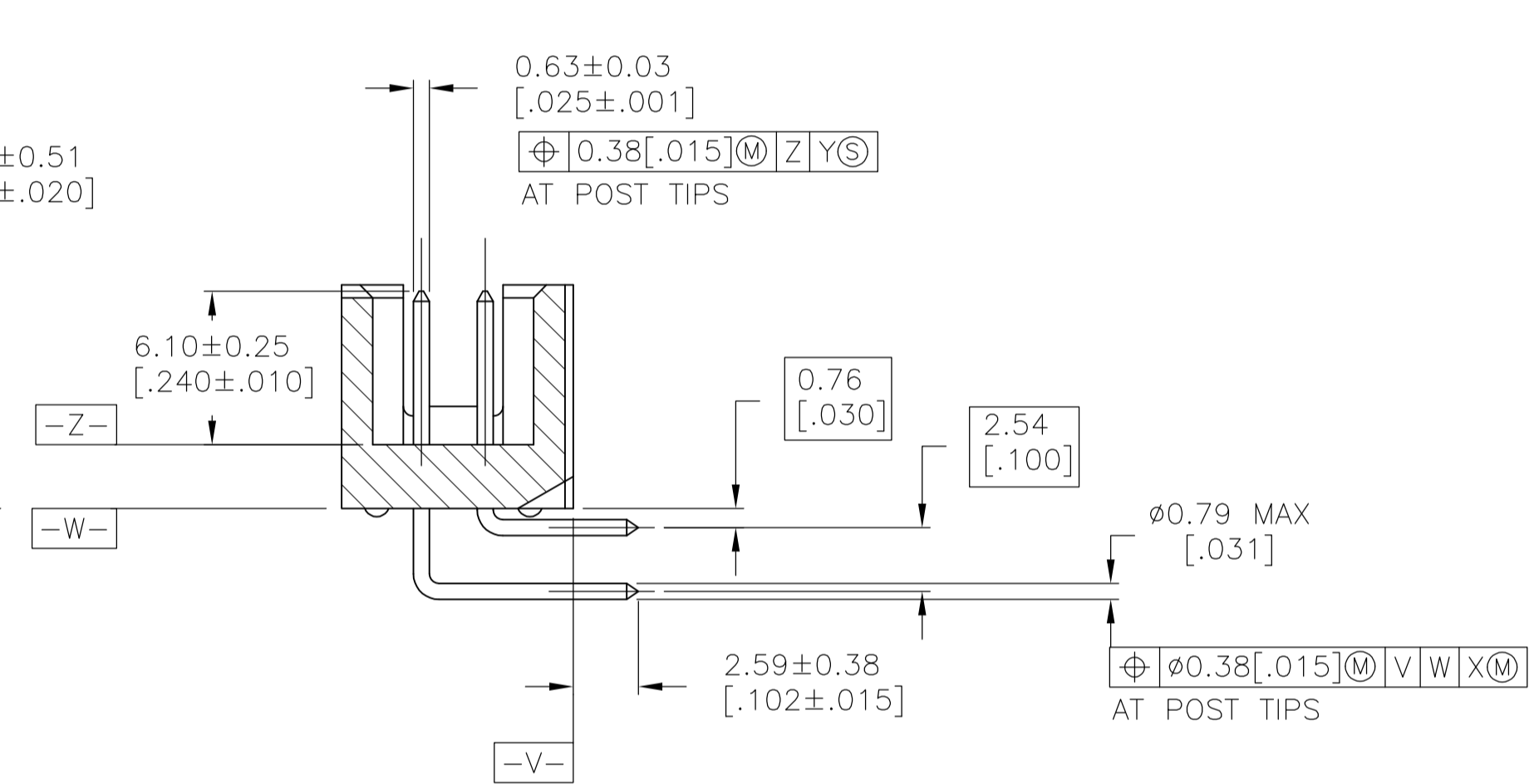
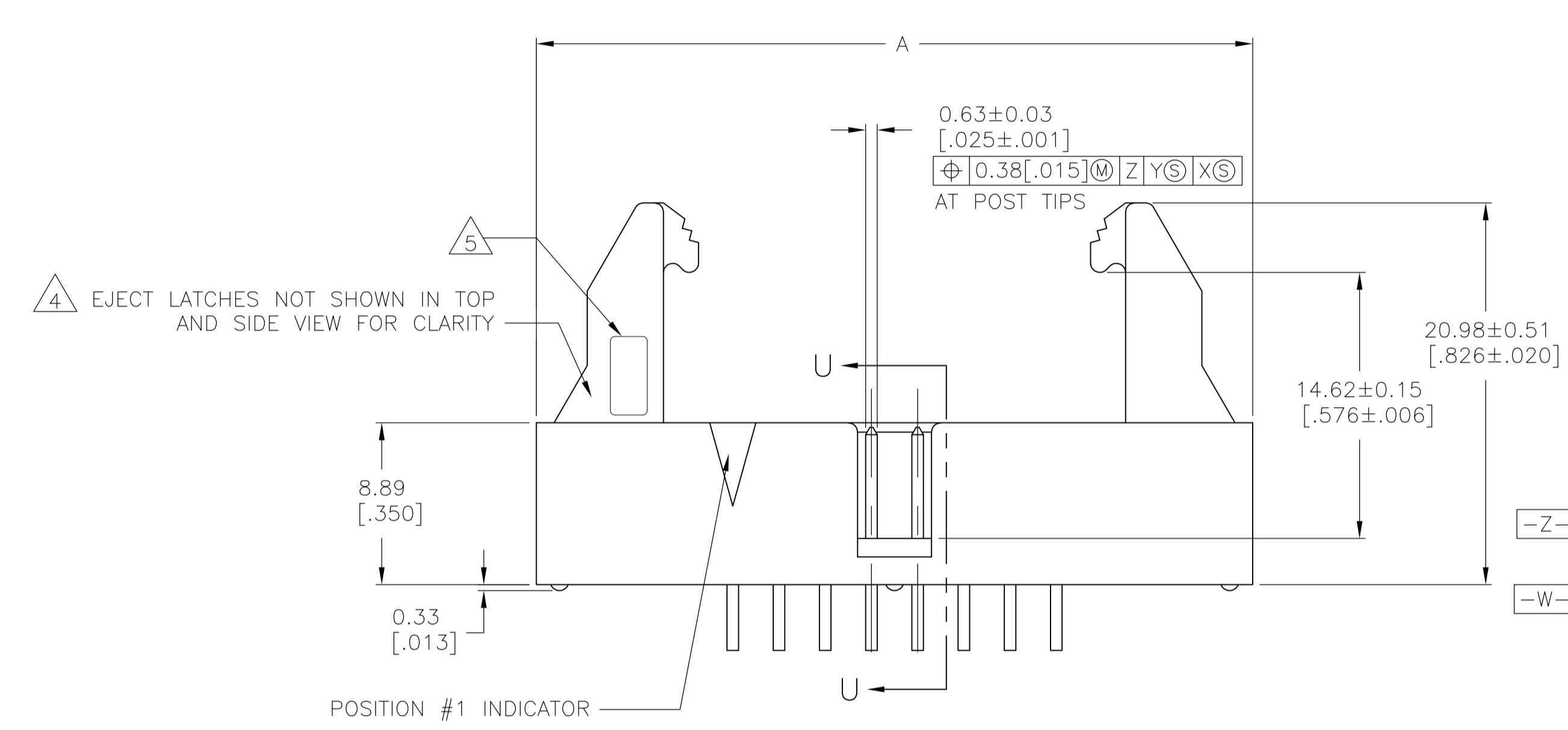
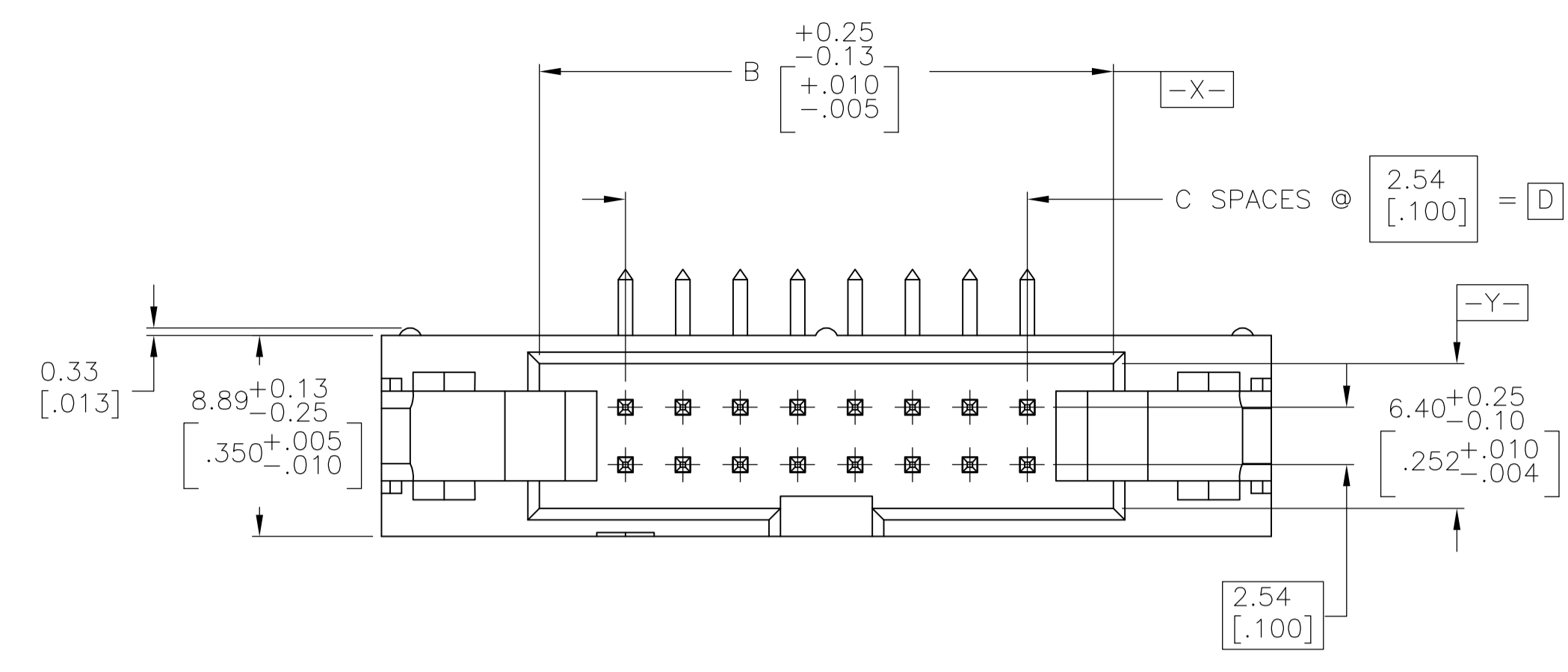


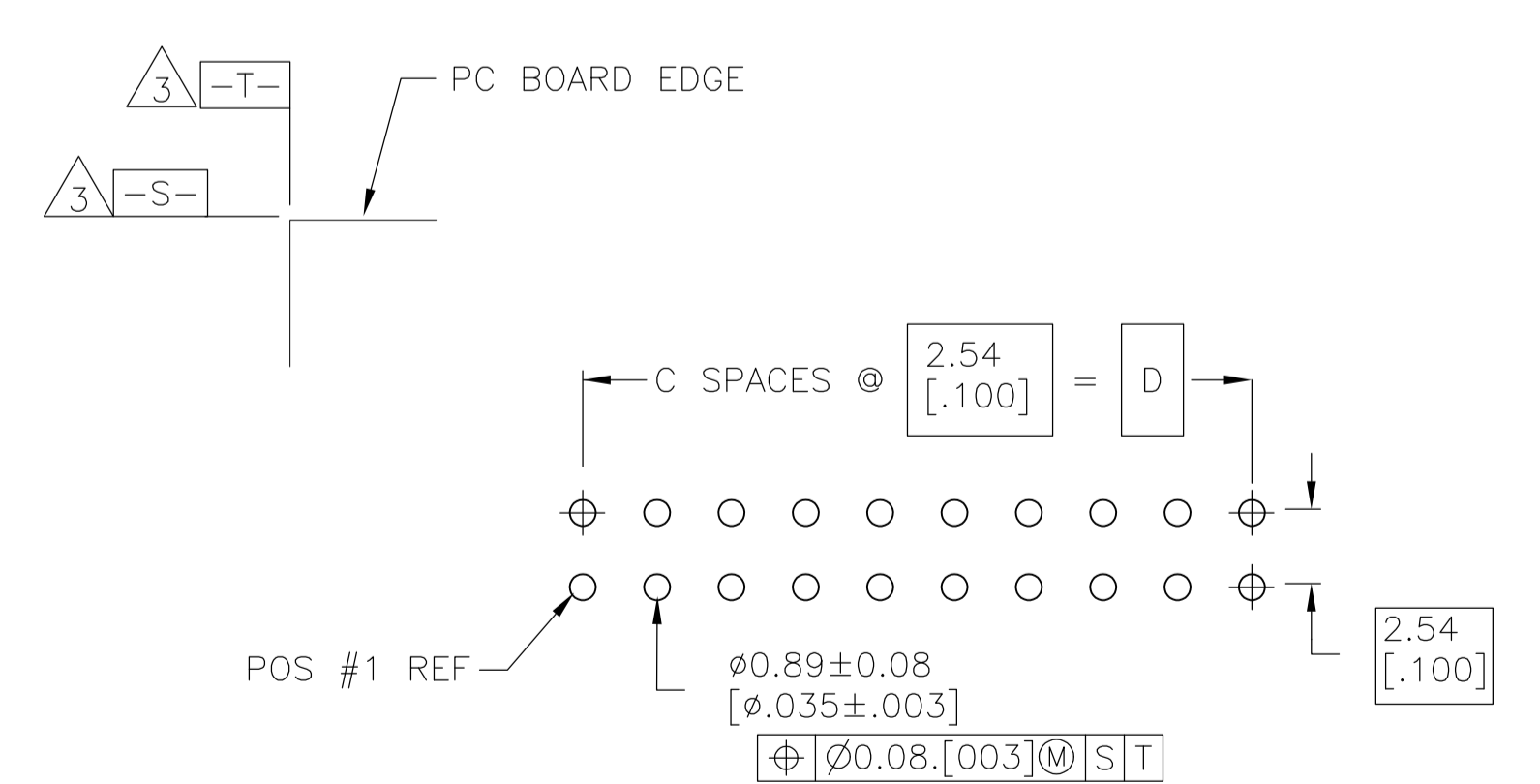
LOC		DIST		REVISIONS				
P	LTR	DESCRIPTION	DATE	DMN	APVD			
B		REVISED PER ECO-10-011568	05JUN10	HMR	SB			



- 1 HOUSING & EJECT LATCHES: PBT, UL94V-0, COLOR BLUE. POSTS: PHOSPHOR BRONZE.
- 2 POSTS: 0.00076[.000030] MIN GOLD ON MATING AREA, 0.00254[.000100] MIN TIN ON SOLDER END, ALL OVER 0.00127[.000050] MIN NICKEL ON ENTIRE POST.
- 3 DATUMS S & T TO BE ESTABLISHED BY CUSTOMER.
- 4 LONG EJECT LATCHES FOR MATING IDC/AMP-LATCH STYLE RECEPTACLES WITH A STRAIN RELIEF
- 5 MANUFACTURER'S LOGO TO BE LOCATED IN APPROXIMATE AREA SHOWN.

4 EJECT LATCHES NOT SHOWN IN TOP AND SIDE VIEW FOR CLARITY

SECTION U-U



RECOMMENDED PC BOARD LAYOUT  
(VIEWED FROM CONNECTOR SIDE)

	D	C	B	A	NO OF POS	PART NUMBER
	78.74 [3.100]	31	86.36 [3.400]	100.33 [3.950]	64	1-1761690-7
	73.66 [2.900]	29	81.28 [3.200]	95.25 [3.750]	60	1-1761690-6
OBSOLETE	60.96 [2.400]	24	68.58 [2.700]	82.55 [3.250]	50	1-1761690-5
OBSOLETE	48.26 [1.900]	19	55.88 [2.200]	69.85 [2.750]	40	1-1761690-3
OBSOLETE	40.64 [1.600]	16	48.26 [1.900]	62.23 [2.450]	34	1-1761690-1
	35.56 [1.400]	14	43.18 [1.700]	57.15 [2.250]	30	1-1761690-0
	30.48 [1.200]	12	38.10 [1.500]	52.07 [2.050]	26	1761690-9
	27.94 [1.100]	11	35.56 [1.400]	49.53 [1.950]	24	1761690-8
OBSOLETE	22.86 [.900]	9	30.48 [1.200]	44.45 [1.750]	20	1761690-7
	17.78 [.700]	7	25.40 [1.000]	39.37 [1.550]	16	1761690-6
OBSOLETE	15.24 [.600]	6	22.86 [.900]	36.83 [1.450]	14	1761690-5
	12.70 [.500]	5	20.32 [.800]	34.29 [1.350]	12	1761690-4
OBSOLETE	10.16 [.400]	4	17.78 [.700]	31.75 [1.250]	10	1761690-3
OBSOLETE	10.16 [.300]	3	15.24 [.600]	29.21 [1.150]	8	1761690-2

THIS DRAWING IS A CONTROLLED DOCUMENT.

DIMENSIONS: mm [INCHES]	TOLERANCES UNLESS OTHERWISE SPECIFIED:	0 PLC ± -	1 PLC ± -	2 PLC ± -	3 PLC ± 0.13[.005]	4 PLC ± -	ANGLES ± -
-------------------------	--	-----------	-----------	-----------	--------------------	-----------	------------

MATERIAL 1 FINISH 2

THIS DRAWING IS A CONTROLLED DOCUMENT. DWN B. CRISAMORE/D1 05JUN05. CHK S. BOLASH 05JUN05. APVD M. WALMSLEY 05JUN05. NAME Tyco Electronics Corporation Harrisburg, PA 17105-3608. PRODUCT SPEC: HEADER ASSEMBLY, LONG EJECT LATCHES, RIGHT ANGLE, LOW PROFILE, IDC. APPLICATION SPEC: -. SIZE: A1. CAGE CODE: 00779. DRAWING NO: 1761690. RESTRICTED TO: -. WEIGHT: -. SCALE: 4:1. SHEET: 1 OF 1. REV: B.