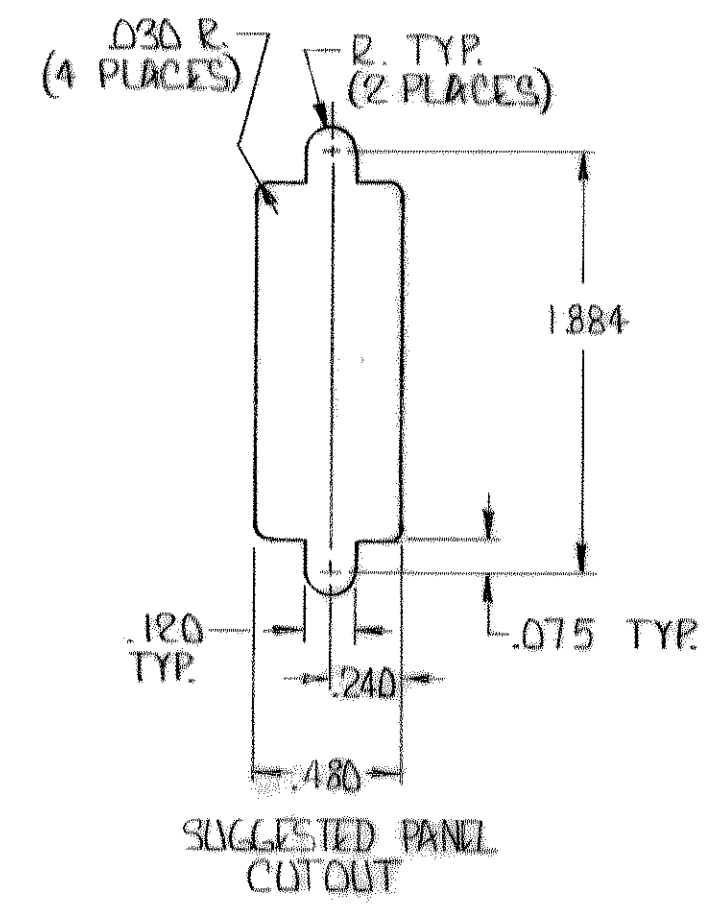
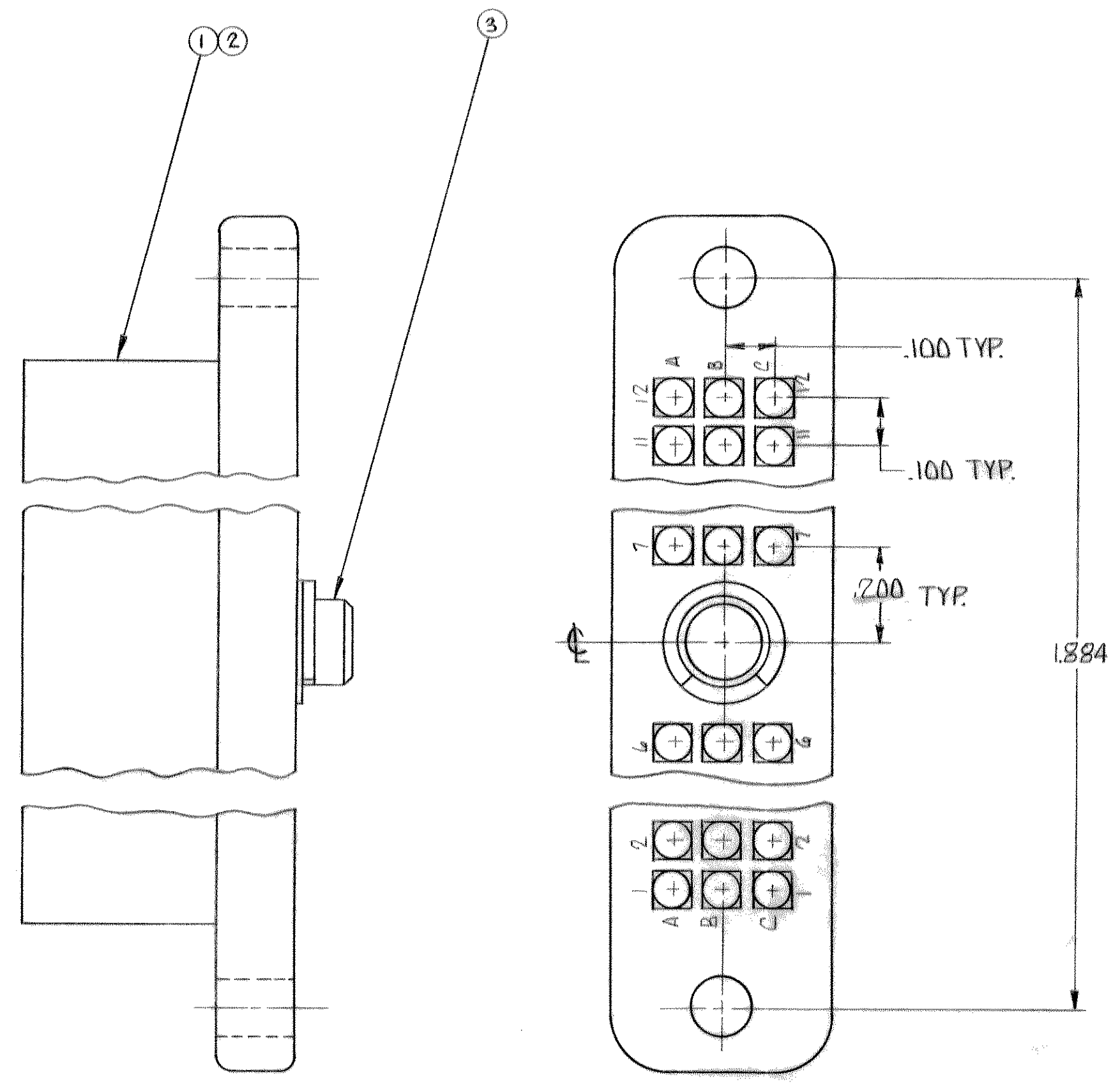


© 1947 BY AMP INCORPORATED. ALL RIGHTS RESERVED. AMP PRODUCTS COVERED BY PATENTS AND/OR PATENTS PENDING.

REVISIONS				
ZONE	LTR	DESCRIPTION	DATE	APPROVED
A	REV	PER 063D-276-01	CT 8-02 CT	



QTY	DRG NO	SIZE	NAME	REMARKS	ITEM NO.
1	1	A	204292-1 JACKSCREW ASSY.	FIXED, FEMALE	3
1	-	C	2204281-6 BLOCK	DIALYL PHTHALATE, BLUE	2
-	1	C	204281-6 BLOCK	PHENOLIC, BLACK	1
-	2	-1	DWG NUMBER		

UNLESS OTHERWISE SPECIFIED DIMENSIONS ARE IN INCHES TOLERANCES ON : DECIMALS ± .005 ANGLES ± #	CONTRACT NO.		 AMP INCORPORATED HARRISBURG, PENNSYLVANIA	
	DR	A. Sayler 10-16-69		
	CHK	D. Miller 11-6-69	NAME	36 POSITION "HDR" PLUG ASSEMBLY WITH FIXED FEMALE JACKSCREW
	APPD	K. Jones 11-7-69	SIZE	C
	REL	R. Jones 11-7-69	CODE IDENT NO.	00779
MATERIAL		NUMBER	204731	
		OTHER APPD		
		SCALE		
		SHEET	1 OF 1	

NUMBER 204731