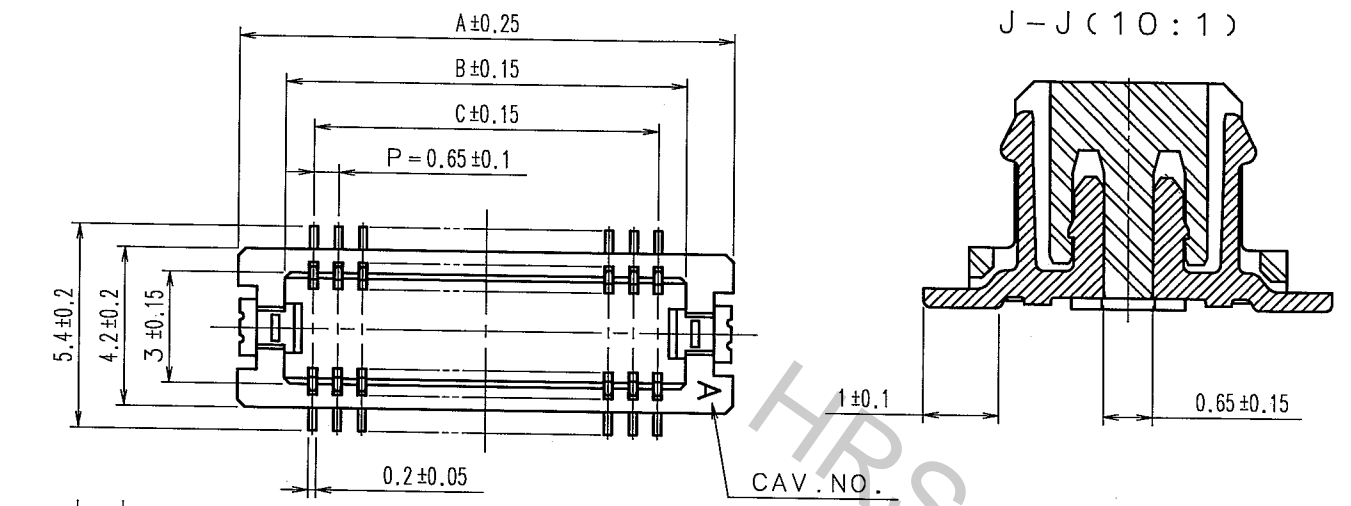
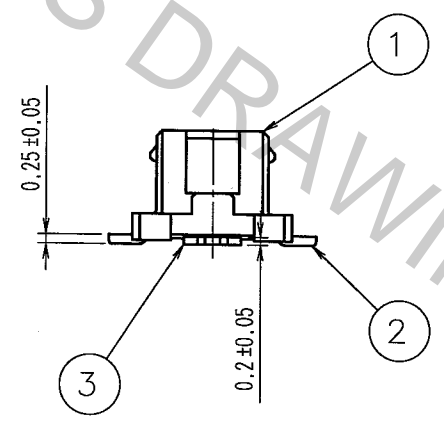
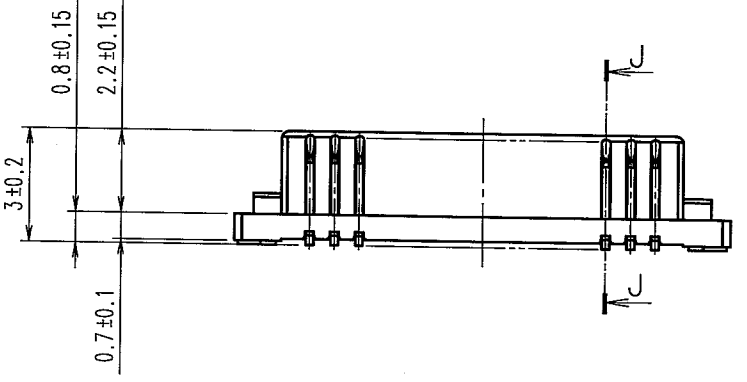


Sep.1.2018 Copyright 2018 HIROSE ELECTRIC CO., LTD. All Rights Reserved.
 In case that the application demands a high level of reliability, such as automotive,
 please contact a company representative for further information.

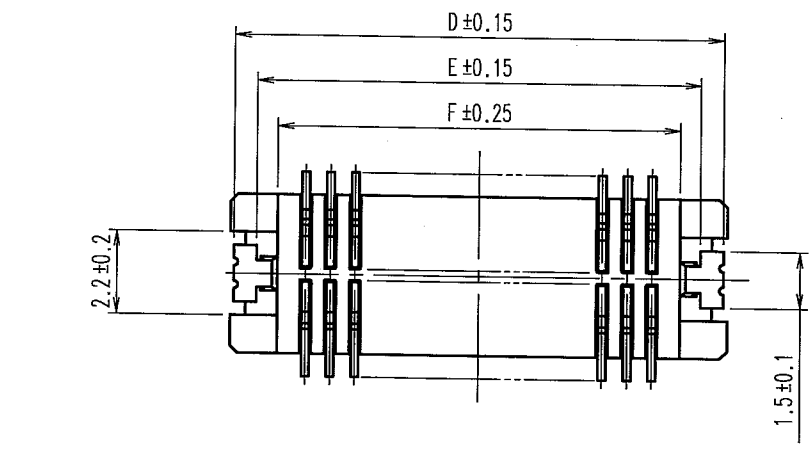
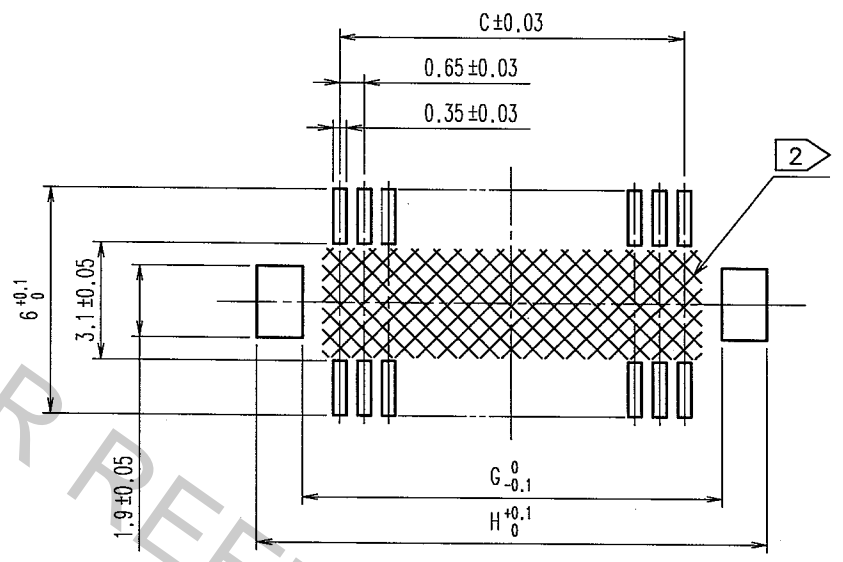
COUNT	DESCRIPTION OF REVISIONS	BY	CHKD	DATE	COUNT	DESCRIPTION OF REVISIONS	BY	CHKD	DATE



PART NO.	CODE NO.	CONTACTS	A	B	C	D	E	F	G	H
DF15B(0.8)-20DS-0.65V(56)	CL677-0022-8-56	20	9.85	7.35	5.85	9.65	8.45	7.35	7.85	10.25
DF15B(0.8)-30DS-0.65V(56)	CL677-0023-0-56	30	13.1	10.6	9.1	12.9	11.7	10.6	11.1	13.5
DF15B(0.8)-40DS-0.65V(56)	CL677-0024-3-56	40	16.35	13.85	12.35	16.15	14.95	13.85	14.35	16.75
DF15B(0.8)-50DS-0.65V(56)	CL677-0025-6-56	50	19.6	17.1	15.6	19.4	18.2	17.1	17.6	20.0

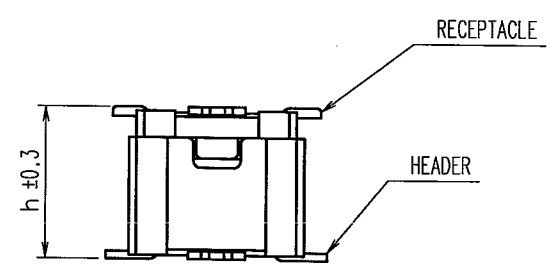


RECOMMENDED PATTERN



NOTES 1 : LEAD CO-PLANARITY SHALL BE 0.1mm MAX.
 2 : WATCH NOT LET THE CONTACTS TOUCH THE SECTION ESPECIALLY WHEN THE PADS OF AREA NOT RESIST FINISHED.

RECEPTACLE : DF15B(0.8)-*DS-0.65V(56)	
HEADER CONNECTOR	h(mm)
DF15*(3.2)-**DP-0.65V(56)	4
DF15*(4.2)-**DP-0.65V(56)	5
DF15*(6.2)-**DP-0.65V(56)	7



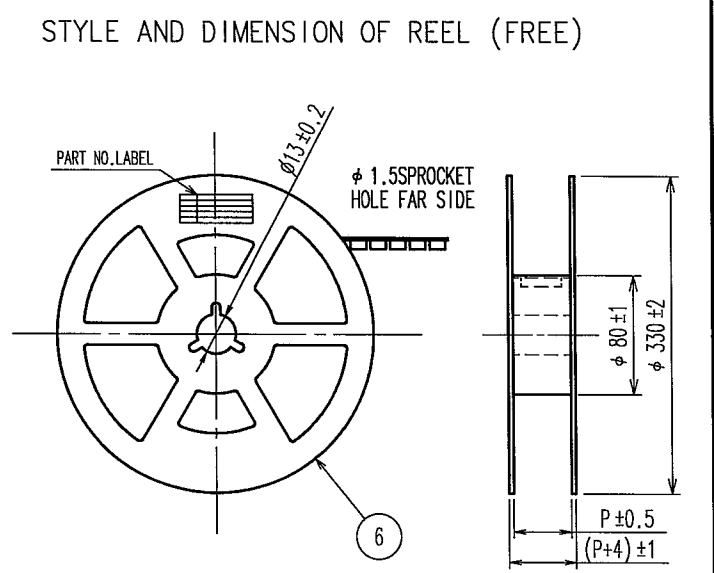
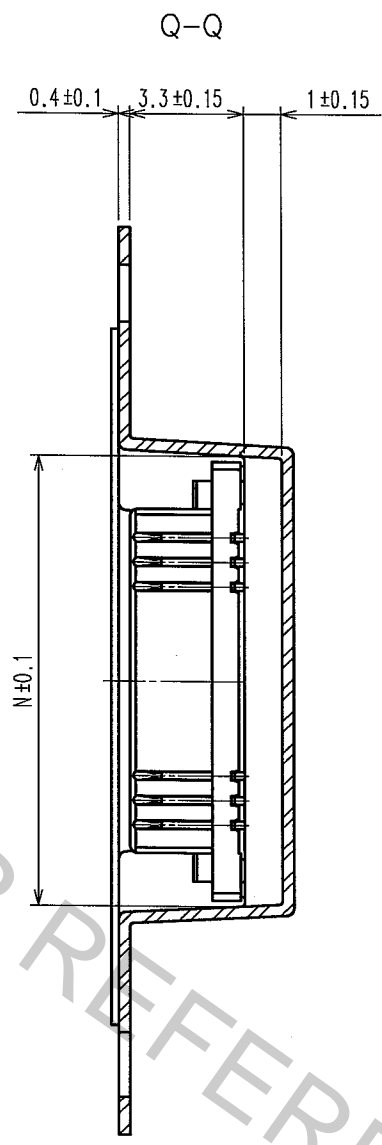
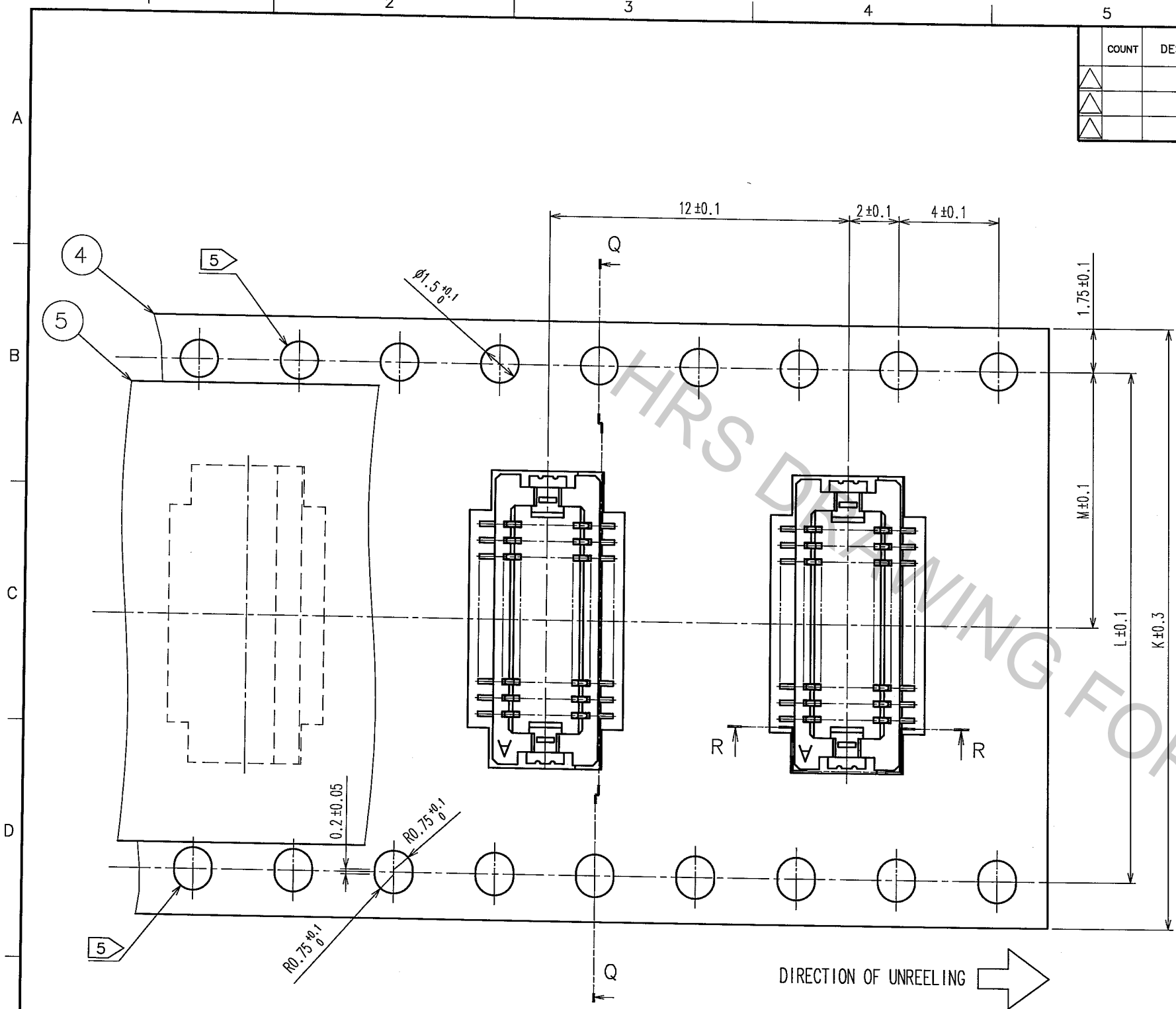
2	PHOSPHOR BRONZE	CONTACT AREA:GOLD PLATED 0.1μm min LEAD AREA:GOLD PLATED 0.02μm OTHERS(UNDER PLATING):NICKEL PLATED 1μm min	6	PS	PLASTIC REEL , BLACK
1	POLYAMIDE	UL94V-0, NATURAL(BEIGE)	5	POLYESTER	CLEAR(COVER TAPE)
			4	PS	CLEAR(EMBOSSED CARRIER TAPE)
			3	BRASS	TIN PLATED 1μm min (UNDER PLATING):NICKEL 1μm min
NO.	MATERIAL	FINISH, REMARKS	NO.	MATERIAL	FINISH, REMARKS

CODE NO. (OLD) CL	DRAWN <i>H. Murakami</i>	DESIGNED <i>A. Tabuchi</i>	CHECKED <i>T. Miyajima</i>	APPROVED <i>M. Yokomura</i>	RELEASED
	65-09-03	05-09-03	65-09-03	65-09-05	
SCALE 5 : 1	DRAWING NO. EDC3-160465-11	PART NO. DF15B(0.8)-*DS-0.65V(56)			
UNITS mm	HRS HIROSE ELECTRIC CO., LTD	CODE NO. CL667	1/2		

TO

Sep.1.2018 Copyright 2018 HIROSE ELECTRIC CO., LTD. All Rights Reserved.
 In case that the application demands a high level of reliability, such as automotive,
 please contact a company representative for further information.

5				6				7				8			
COUNT	DESCRIPTION OF REVISIONS	BY	CHKD	DATE	COUNT	DESCRIPTION OF REVISIONS	BY	CHKD	DATE	COUNT	DESCRIPTION OF REVISIONS	BY	CHKD	DATE	
△				..	△				..	△				..	
△				..	△				..	△				..	
△				..	△				..	△				..	

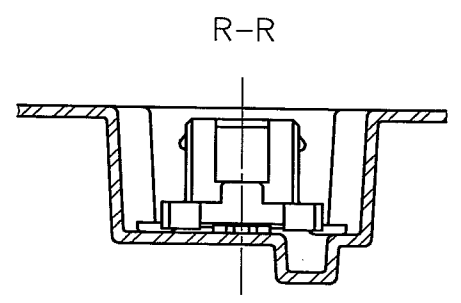


DETAIL OF PART NO. LABEL

SUPPLIER
QUANTITY
PART NO.
CODE NO.
DATE OF MANUFACTURED

生産月日	年 月 日
図 番	CL677-****-**-56
品 名	DF15B(0.8)-*DS-0.65V(56)
納入数量	1000 KO
納入者	ヒロセ電機(株)

NOTES 3:1 REEL:1000 CONNECTORS.
 4: AT THE BEGINNING OF THE REEL, 30 COMPONENTS SHALL BE EMPTY. AT THE END OF THE REEL, 20 COMPONENTS SHALL BE EMPTY.
 5: WHEN THE TAPE WIDTH IS 32mm SPROCKET HOLES SHALL BE SET ON BOTH SIDES OF REEL AS SHOWN ON THIS DRAWING.
 6: PEEL FORCE REFERS TO JIS C 0806



PART NO	CODE NO	K	L	M	N	P
DF15B(0.8)-20DS-0.65V(56)	CL677-0022-8-56	16.0	-	7.5	10.15	17.5
DF15B(0.8)-30DS-0.65V(56)	CL677-0023-0-56	24.0	-	11.5	13.4	25.5
DF15B(0.8)-40DS-0.65V(56)	CL677-0024-3-56	24.0	-	11.5	16.65	25.5
DF15B(0.8)-50DS-0.65V(56)	CL677-0025-6-56	32.0	28.4	14.2	19.9	33.5

CODE NO. (OLD) CL	DRAWN H. Murakami 05.09.03	DESIGNED A. Takahashi 05.09.03	CHECKED T. Miyajaki 05.09.03	APPROVED M. Nakamura 05.09.05	RELEASED
SCALE FREE	DRAWING NO. EDC3-160465-11		PART NO. DF15B(0.8)-*DS-0.65V(56)		
UNITS mm	HRS HIROSE ELECTRIC CO., LTD		CODE NO. CL677		2/2

TO