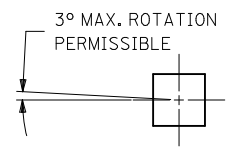
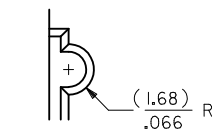


CKT. SIZE	PART NUMBER	ENG. NUMBER SDA-70204-	DIM. "A"		DIM. "B"		DIM. "C"	
			MM	IN.	MM	IN.	MM	IN.
			08	25-02-2008	0387	7,62	.300	17,78
10	25-02-2010	0388	10,16	.400	20,32	.800	22,86	.900
12	25-02-2012	0389	12,70	.500	22,86	.900	25,40	1.000
14	25-02-2014	0390	15,24	.600	25,40	1.000	27,94	1.100
16	25-02-2016	0391	17,78	.700	27,94	1.100	30,48	1.200
18	25-02-2018	0392	20,32	.800	30,48	1.200	33,02	1.300
20	25-02-2020	0393	22,86	.900	33,02	1.300	35,56	1.400
22	25-02-2022	0394	25,40	1.000	35,56	1.400	38,10	1.500
24	25-02-2024	0395	27,94	1.100	38,10	1.500	40,64	1.600
26	25-02-2026	0396	30,48	1.200	40,64	1.600	43,10	1.700
28	25-02-2028	0397	33,02	1.300	43,10	1.700	45,72	1.800
30	25-02-2030	0398	35,56	1.400	45,72	1.800	48,26	1.900
32	25-02-2032	0399	38,10	1.500	48,26	1.900	50,80	2.000
34	25-02-2034	0400	40,64	1.600	50,80	2.000	53,34	2.100
36	25-02-2036	0401	43,10	1.700	53,34	2.100	55,88	2.200
38	25-02-2038	0402	45,72	1.800	55,88	2.200	58,42	2.300
40	25-02-2040	0403	48,26	1.900	58,42	2.300	60,96	2.400

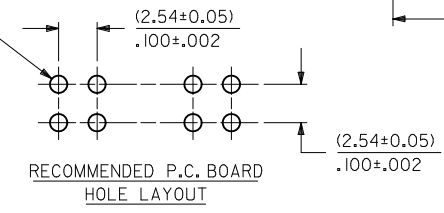
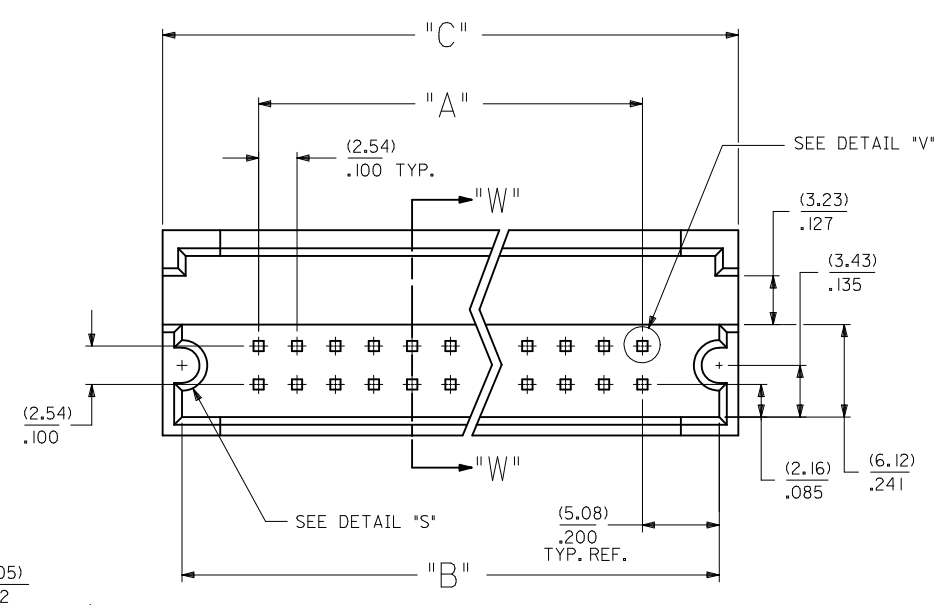
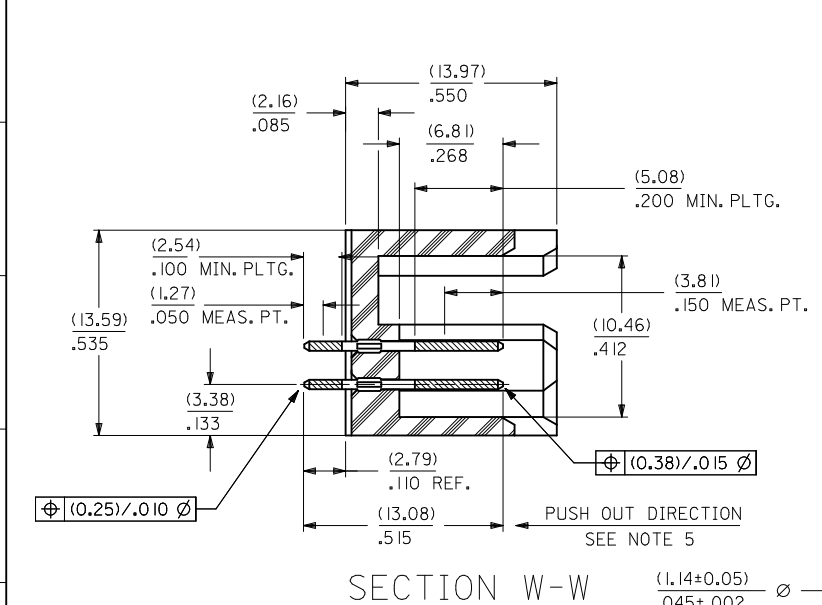
CKT. SIZE	PART NUMBER	ENG. NUMBER SDA-70204-	DIM. "A"		DIM. "B"		DIM. "C"	
			MM	IN.	MM	IN.	MM	IN.
			42	25-02-2042	0404	50,80	2.000	60,96
44	25-02-2044	0405	53,34	2.100	63,50	2.500	66,04	2.600
46	25-02-2046	0406	55,88	2.200	66,04	2.600	68,58	2.700
48	25-02-2048	0407	58,42	2.300	68,58	2.700	71,12	2.800
50	25-02-2050	0408	60,96	2.400	71,12	2.800	73,66	2.900
52	25-02-2052	0409	63,50	2.500	73,66	2.900	76,20	3.000
54	25-02-2054	0410	66,04	2.600	76,20	3.000	78,74	3.100
56	25-02-2056	0411	68,58	2.700	78,74	3.100	81,28	3.200
58	25-02-2058	0412	71,12	2.800	81,28	3.200	83,82	3.300
60	25-02-2060	0413	73,66	2.900	83,82	3.300	86,36	3.400
62	25-02-2062	0414	76,20	3.000	86,36	3.400	88,90	3.500
64	25-02-2064	0415	78,74	3.100	88,90	3.500	91,44	3.600
66	25-02-2066	0416	81,28	3.200	91,44	3.600	93,98	3.700
68	25-02-2068	0417	83,82	3.300	93,98	3.700	96,52	3.800
70	25-02-2070	0418	86,36	3.400	96,52	3.800	99,06	3.900
72	25-02-2072	0419	88,90	3.500	99,06	3.900	101,60	4.000



DETAIL "V"
SCALE = 20:1



DETAIL "S"



- NOTES:
 1. WAFER MATERIAL: GLASS FILLED NYLON; COLOR: BLACK
 2. PIN MATERIAL: COPPER ALLOY
 3. PIN PLATING:
 OVERALL: 150 MICRONS MINIMUM TIN
 OVER NICKEL UNDERPLATE
 4. PINS MUST MEET SOLDERABILITY SPEC. NO. 152
 5. PIN PUSH-OUT FORCE (1.81 KG)/4 LBS MINIMUM
 6. REFER TO P.S. NO. 70204
 7. STANDARD PACKAGING PER: PK-70873-0070

CORRECT DIMENSION EC NO: UCP2011-3892 DRWINHS BARRA 2011/06/27 CHKD: MORGAN APPR: MILLER 2011/07/07	QUALITY SYMBOLS	GENERAL TOLERANCES (UNLESS SPECIFIED)	DIMENSION STYLE	SCALE	DESIGN UNITS	THIRD ANGLE PROJECTION
	▽=0	mm INCH	MM/IN	4:1	INCH	
	▽=0	4 PLACES ± --- ± ---	DRAWN BY DATE	TITLE		
	▽=0	3 PLACES ± --- ± .010	JAS 1986/05/20	SHROUDED HEADER DUAL ROW W/PCB SLOTS & GUIDE EARS .100 GRID, .025 SQ PIN		
	2 PLACES ± 0.25 ± ---	CHECKED BY DATE	MATERIAL NO. DOCUMENT NO.			
	1 PLACE ± --- ± ---	EIK 1986/05/20	MOLEX MOLEX INCORPORATED			
	ANGULAR ± 1/2°	APPROVED BY DATE	SDA-70204-0385-0448			
		WAZ 1986/05/20	SHEET NO. 1 OF 1			
			THIS DRAWING CONTAINS INFORMATION THAT IS PROPRIETARY TO MOLEX INCORPORATED AND SHOULD NOT BE USED WITHOUT WRITTEN PERMISSION			