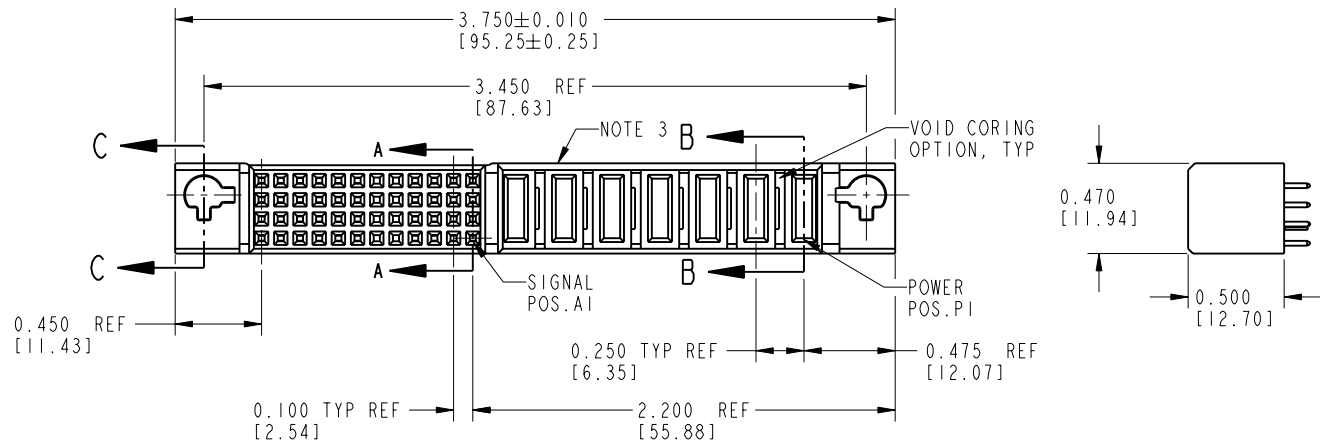


Tous droits strictement réservés. Reproduction ou communication o des liens interdite sous quelque forme que ce soit sans autorisation écrite du propriétaire. Propriété de c FCI. Droits de reproduction FCI.

**FCI**

All rights strictly reserved. Reproduction or issue to third parties in any form, whenever is not permitted without written authority from the proprietor. Property of FCI. Copyright FCI.

| PRODUCT No.            | ROWS             | SIGNAL |    |    |    |   |   |   |   |   |   | POWER |   |   |    |    |    |    | E2 |    |    |    |  |
|------------------------|------------------|--------|----|----|----|---|---|---|---|---|---|-------|---|---|----|----|----|----|----|----|----|----|--|
|                        |                  | E1     | 12 | 11 | 10 | 9 | 8 | 7 | 6 | 5 | 4 | 3     | 2 | 1 | P7 | P6 | P5 | P4 |    | P3 | P2 | P1 |  |
| 51602-XX001<br>NOTE: 2 | D<br>C<br>B<br>A |        | E  | E  | E  | E | E | E | E | E | X | E     | E | E | E  | PA | PA | X  | PA | PA | PA | PA |  |



| CODE | CONTACT TYPE |
|------|--------------|
| E    | SIGNAL       |
| PA   | POWER        |
| HA   | HOLD-DOWN    |
| X    | OMITTED      |

| mat'l code  |                |       |          | NOTE 1 |                      | tolerances unless otherwise specified |            | CUSTOMER     |  |
|-------------|----------------|-------|----------|--------|----------------------|---------------------------------------|------------|--------------|--|
| ltr         | ecn no.        | dr    | date     | linear | .XX±.01/.X±.3        |                                       | COPY       |              |  |
| A           | V81897         | DLW   | 10/30/98 |        | .XXX±.005/.XX±.13    |                                       | projection |              |  |
| B           | V90098         | DLW   | 01/22/99 | angles | .XXX±.0020/.XXX±.051 |                                       | INCH/MM    |              |  |
| C           | V01363         | LSS   | 06-05-00 |        | 0° ± 2°              |                                       | scale      |              |  |
| D           | V10810         | EKK   | 01-31-01 | dr     | D. WOLFORD           | 10/30/98                              | 1:1        |              |  |
| E           | V11164         | LSS   | 04/09/01 | engr   | J. BROWN             | 10/30/98                              | A          |              |  |
| F           | DG05-0363      | GuoJM | 09/29/05 | chr    | J. BROWN             | 10/30/98                              | 51602      |              |  |
|             |                |       |          | appd   | J. BROWN             | 10/30/98                              | 213        |              |  |
| sheet index | revision sheet | F     | F        | F      |                      |                                       |            | sheet 1 of 3 |  |
|             |                | 1     | 2        | 3      |                      |                                       |            |              |  |

**FCI** www.fciconnect.com

title 7P + 48S  
VERTICAL SOLDER RECEPTACLE

product family PWRBLADE code 213

size dwg no A 51602 sheet 1 of 3

cage code 22526

Pro/E

3

cage code 22526

4

PDM: Rev:F

STATUS: Released

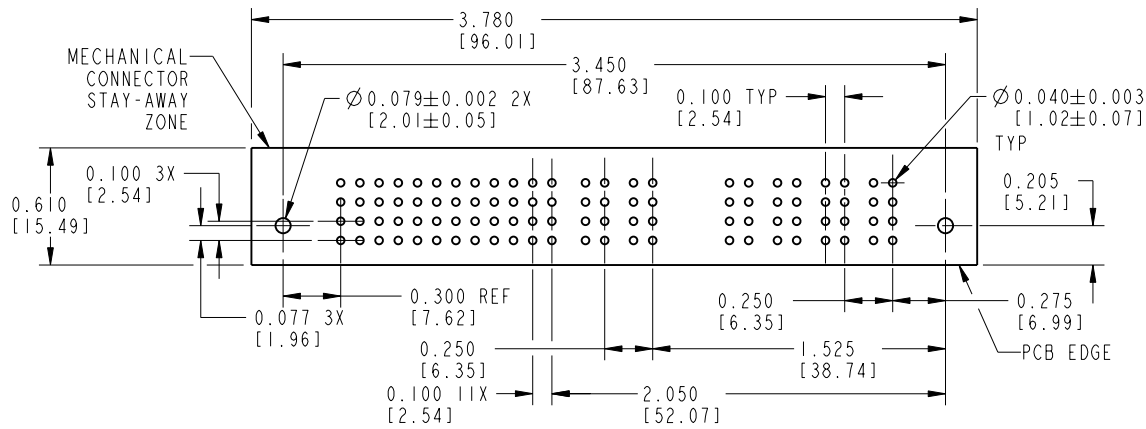
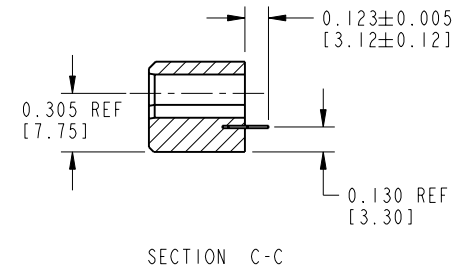
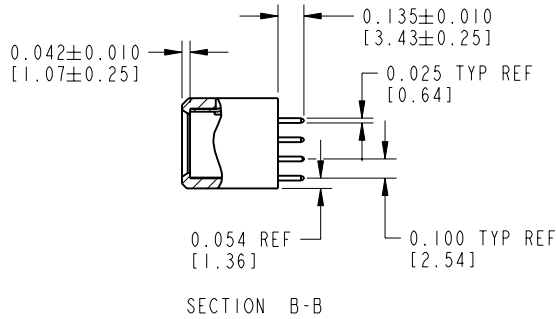
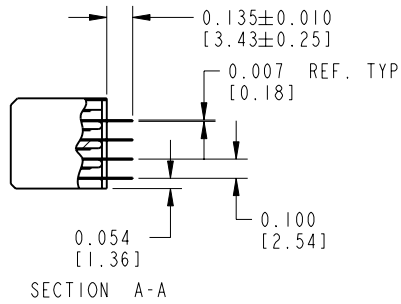
Printed: Dec 20, 2010

Tous droits strictement réservés. Reproduction ou communication o des liers interdite sous quelque forme que ce soit sans autorisation écrite du propriétaire. Propriete de c FCI. Droits de reproduction FCI.

All rights strictly reserved. Reproduction or issue to third parties in any form, whatever is not permitted without written authority from the proprietor. Property of FCI. Copyright FCI.

PRODUCT NUMBER

51602-XX001\_\_  
NOTE: 2



RECOMMENDED PCB LAYOUT

|             |                |        |      |                                       |  |            |                            |                        |   |             |
|-------------|----------------|--------|------|---------------------------------------|--|------------|----------------------------|------------------------|---|-------------|
| mat'l code  |                | NOTE 1 |      | tolerances unless otherwise specified |  | CUSTOMER   |                            | <br>www.fciconnect.com |   |             |
| lfr         | ecn no.        | dr     | date | linear                                | .XX±.01/.X±.3                              | projection | COPY                       |                        | title<br>7P + 48S<br>VERTICAL SOLDER RECEPTACLE |             |
| F           |                |        |      | angles                                | .XXX±.005/.XX±.13<br>.XXXX±.0020/.XXX±.051 |            | product family<br>PWRBLADE |                        |   | code<br>213 |
|             |                |        |      | dr                                    | D. WOLFORD 10/30/98                        | INCH/MM    | scale                      | size                   | dwg no  | sheet<br>2  |
|             |                |        |      | engr                                  | J. BROWN 10/30/98                          | 1:1        | A                          | 51602                  |   |             |
|             |                |        |      | chr                                   | J. BROWN 10/30/98                          |            |                            |                        |   |             |
|             |                |        |      | appd                                  | J. BROWN 10/30/98                          |            |                            |                        |   |             |
| sheet index | revision sheet |        |      |                                       |  |            |                            |                        |   |             |

cage code 22526

Pro/E

PDM: Rev:F

STATUS: Released

Printed: Dec 20, 2010

Tous droits strictement réservés. Reproduction ou communication o des liers interdite sous quelque forme que ce soit sans autorisation écrite du propriétaire. Propriete de c FCI. Droits de reproduction FCI.

All rights strictly reserved. Reproduction or issue to third parties in any form, whenever is not permitted without written authority from the proprietor. Property of FCI. Copyright FCI.

**PRODUCT NUMBER**

51602-XX001\_\_  
NOTE: 2

**CONNECTOR NOTES:**

1. HOUSING MATERIAL: UL 94 V-0 GLASS FILLED HIGH TEMP THERMOPLASTIC  
POWER CONTACT MATERIAL: COPPER ALLOY  
SIGNAL CONTACT MATERIAL: COPPER ALLOY

2. PLATING:

51602-XX001 Singal Pin:30u"/0.76um Au OVER 50u"/1.27um Ni ON THE CONTACT AREA,  
AND 100u"/2.54um SnPb PLATING OVER 50u"/1.27um Ni ON THE TERMINATION SECTION.  
Power Pin:30u"/0.76um Au OVER 50u"/1.27um Ni ON THE CONTACT AREA,  
AND 100u"/2.54um SnPb PLATING OVER 50u"/1.27um Ni ON THE TERMINATION SECTION.

51602-XX001LF Singal Pin:30u"/0.76um Au OVER 50u"/1.27um Ni ON THE CONTACT AREA,  
AND 78u"/2.00um Sn PLATING OVER 50u"/1.27um Ni ON THE TERMINATION SECTION.  
Power Pin:30u"/0.76um Au OVER 50u"/1.27um Ni ON THE CONTACT AREA,  
AND 78u"/2.00um Sn PLATING OVER 50u"/1.27um Ni ON THE TERMINATION SECTION.

PART NUMBER 51602-XX001LF MEETS EUROPEAN UNION DIRECTIVE AND JOTHER COUNTRY REGULATIONS AS DESCRIBED IN GS-22-008.

THE HOUSING WILL WITHSTAND EXPOSURE TO 260° PEAK TEMPERATURE FOR 10 SECONDS IN A WAVE SOLDER APPLICATION WITH A CIRCUIT BOARD.


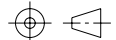
3. "MANUFACTURER" NAME, P/N, AND DATE CODE TO APPEAR ON THIS SURFACE

4. PRODUCT SPECIFICATION GS-12-149

**PCB NOTES:**

- 5. ALL DIMENSIONS ARE BASIC UNLESS OTHERWISE SPECIFIED.
- 6. ALL THROUGH HOLES ARE LOCATED WITH A TRUE POSITION OF 0.004 [0.10]
- 7. ALL HOLE DIAMETERS ARE FINISHED HOLE SIZE
- 8. Ø0.079[2.01] THROUGH HOLES ARE UNPLATED.
- 9. Ø0.0453±0.0010 [1.151±0.025] DRILLED HOLES PLATED WITH 0.0003 [0.008] MIN SnPb OVER 0.001 [0.03] TO 0.003 [0.08] Cu PLATING TO ACHIEVE A Ø0.040±0.003 [1.02±0.07] HOLE.

**CONFIDENTIAL**

|             |         |                |      |                                       |                      |   |  |   |  |
|-------------|---------|----------------|------|---------------------------------------|----------------------|---|--|---|--|
| mat'l code  |         | NOTE 1         |      | tolerances unless otherwise specified |                      | CUSTOMER  |  |  <b>FCI</b> www.fciconnect.com |  |
| lfr         | ecn no. | dr             | date | linear                                | .XX±.01/.X±.3        | COPY  |  |   |  |
| F           |         |                |      | projection                            | .XXX±.005/.XX±.13    |  |  | title   |  |
|             |         |                |      | angles                                | .XXX±.0020/.XXX±.051 |   |  | 7P + 48S  |  |
|             |         |                |      | dr                                    | 0° ± 2°              | INCH/MM   |  | VERTICAL SOLDER RECEPTACLE  |  |
|             |         |                |      | engr                                  | D. WOLFORD 10/30/98  | product family  |  | PWRBLADE  |  |
|             |         |                |      | chr                                   | J. BROWN 10/30/98    | size  |  | 213   |  |
|             |         |                |      | appd                                  | J. BROWN 10/30/98    | dwg no  |  | 3   |  |
| sheet index |         | revision sheet |      | scale                                 |                      | A   |  | 51602   |  |
|             |         |                |      | 1:1                                   |                      |   |  | 3   |  |

coge code 22526