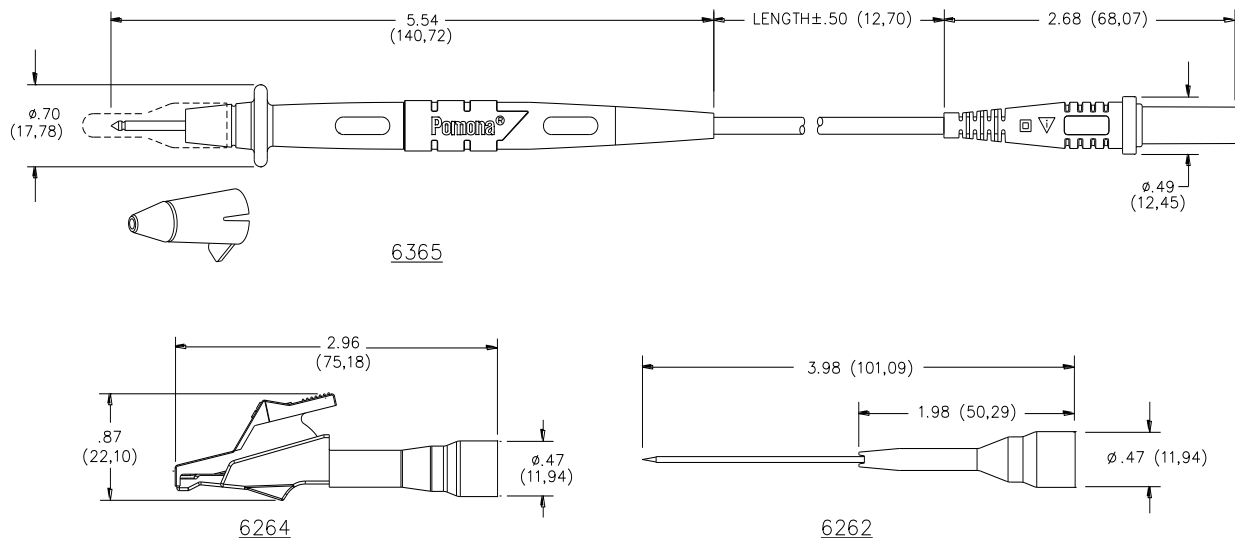


Model 6344
Basic Electronic Test Lead Kit



FEATURES:

- Test accessories comply with IEC 61010-031 requirements
- Extended slide on tip adapter fits directly over probe, allowing testing of hard to reach test points
- Wear indication with double insulated (dual extruded) silicone leads shows white inner layer for increased safety
- Compatible with most Fluke, Amprobe, H.P., Tektronic & Wavetek digital multimeters

MATERIALS:

Model **6365**: Probe Body: Outer Insulation – Santoprene® Rubber, Color: Gray, Inner Insulation – Polypropylene Fire Retardant, Color: One Black, One Red, Tip: Brass, Wire: 18 AWG, 192 x 41 bare copper, Silicone Insulation, O.D. 0.144" (3,66mm), Length: 48" (122cm)

Banana Plug: Body – Brass, Nickel Plated, Spring – Beryllium Copper, Nickel Plated, Insulation – Polypropylene, Color: One Black, One Red, **RATINGS:** IEC 61010-031, CAT III, 1000 V (with protective cap), CAT II 1000 V (without protective cap). Current: 10 Amperes



Model **6264**: Body – Steel, Nickel Plated, Insulation – Polypropylene fire retardant, Spring: Music Wire, **RATINGS:** IEC 61010-031, Category III, Operating Voltage: 300 V, Current: 3 Amperes.

Model **6262**: Tip: Stainless Steel, Tip Insulation: Kynar, Body: Polypropylene fire retardant, **RATINGS:** IEC 61010-031, Category II, Operating Voltage: 300 V, Current: 3 Amperes.

ORDERING INFORMATION: 6344 (Includes a kit of items from above)

Replacement P/N's:

- Model **6264**: Probe Adapter Alligator Tip
- Model **6262**: Probe Adapter Extended Fine Tip
- Model **6365**: Probe to Straight DMM Plug

USA: Sales: 800-490-2361
 Technical Support: technicalsupport@pomonatest.com
 Fax: 425-446-5844
Europe: 31-(0) 40 2675 150 **International:** 425-446-5500
Where to Buy: www.pomonaelectronics.com

All dimensions are in inches. Tolerances (except noted): .xx = $\pm .02$ " (.51 mm), .xxx = $\pm .005$ " (.127 mm). All specifications are to the latest revisions. Specifications are subject to change without notice. Registered trademarks are the property of their respective companies.