



## The Internet Button

The Internet Button is a ready-to-use IoT device with sensors, LEDs, and more. Place orders online, send emails, receive notifications, track feedback, and develop hundreds of other applications



### The IoT at the push of a button

The Internet Button is your IoT trigger to send and receive events, automating the things around you. The Particle Cloud makes it happen.

### Simple and easy set up

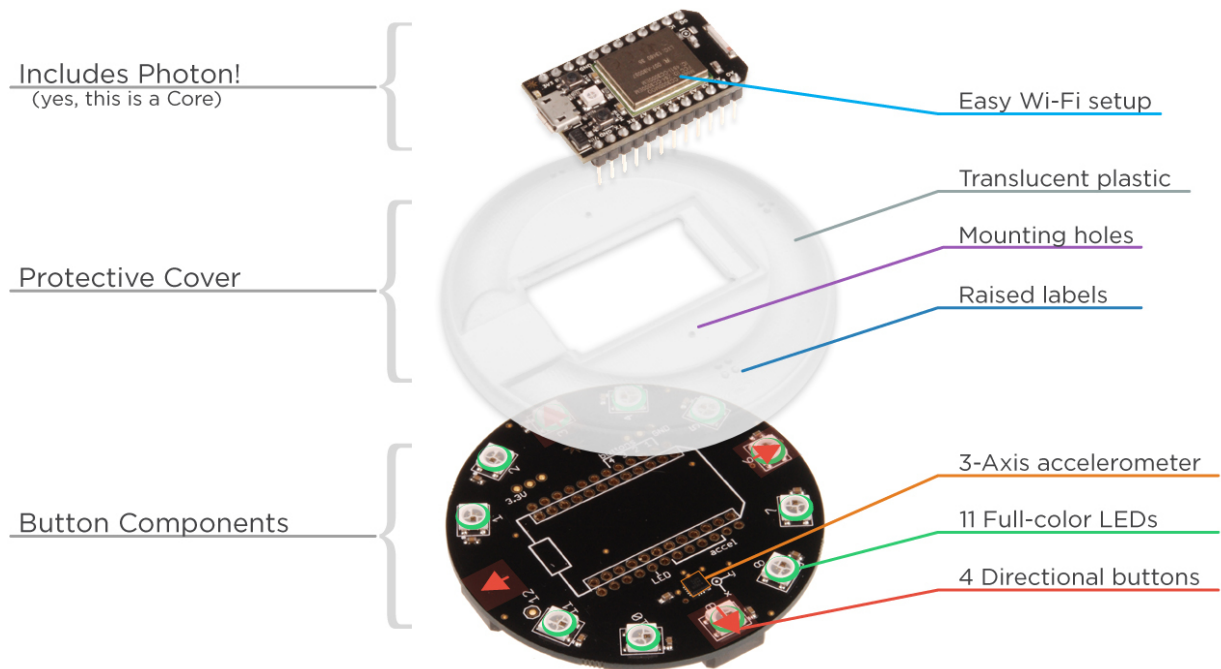
Setting up the Internet Button isn't complicated. Change one line of code to change the actions of the button.

Connect via IFTTT and you can make phone calls, send texts and purchase items online in just minutes.

## More than just a button

Underneath 4 tactile buttons are a strip of controllable RGB LEDs, a speaker and even an accelerometer.

Easily prototype any number of IoT applications.



## Build IoT Software

Start building IoT software for The Internet Button with straightforward developer toolkits. Use software to setup devices, add libraries and efficiently debug any code.

## Comprehensive Management Tools

Focus on your product. Resolve any issues and troubleshoot with our developer tools. The Particle Console and easy-to-use mobile apps both manage and monitor your devices.

### Button specs

- 11 individually controllable RGB LEDs
- ADXL362 3-axis accelerometer
- 4 tactile buttons for D-pad style interactions
- Female socket for connection to Photon
- Additional female headers for adding extra actuators and sensors

## Photon specs

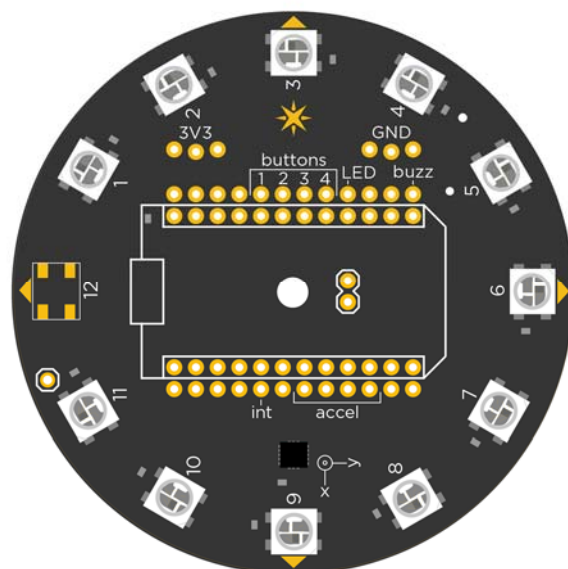
- Particle P0 Wi-Fi module
- Broadcom BCM43362 Wi-Fi chip
- STM32F205 120Mhz ARM Cortex M3
- FCC/CE/IC certified

## Internet Button - Library

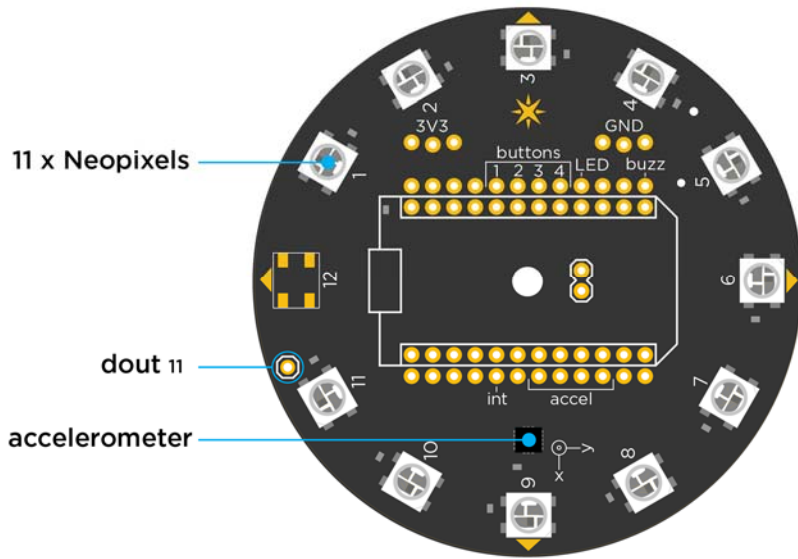
If you're already logged into Build.particle.io then you can **jump directly to the library** to get going quickly and easily with the InternetButton library, which wraps all the features in easy-to-use functions.

Examples include:

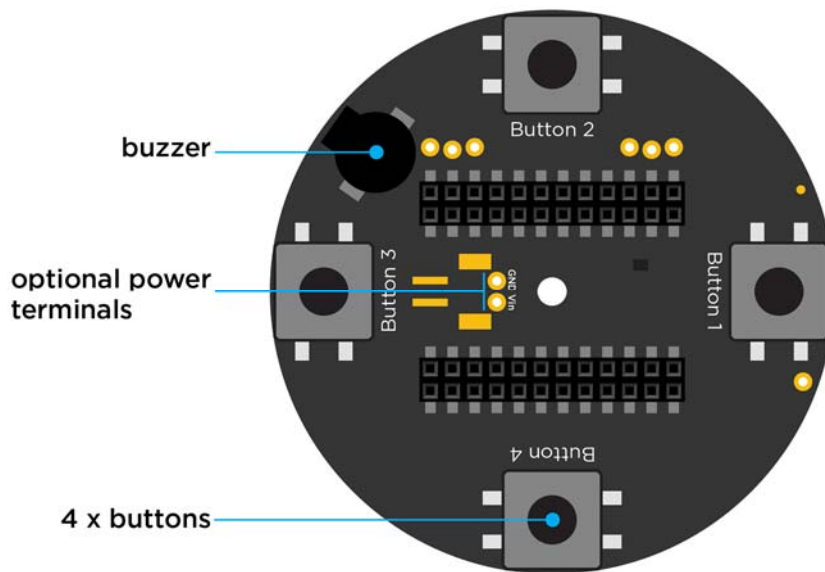
1. **Blink an LED** - How to control the smart LEDs on this board
2. **Blink all the LEDs** - An extension on the simplest case
3. **LEDs and Buttons** - How to read the buttons on the Button, and make LEDs blink with them
4. **Good Combination** - A set of button and LED conditionals that I happen to like and use frequently
5. **Motion** - The Internet Button also has an accelerometer on it to measure motion- this shows how the related functions work
6. **Orientation** - How to use the accelerometer functions to determine the orientation
7. **Internet** - Send that data out to the world!
8. **Making Music** - Learn how to play notes and songs with your Button
9. **Release Firmware** - Big, complicated set of epic.



### Internet Button - Top



### Internet Button - Bottom



## Internet Button - Specifications

- Operating voltage: USB or External DC of 3.3 to 5.5VDC
- Dimensions: 2.6" x 2.6"
- 11 individually controllable RGB LEDs
- ADXL362 3-axis accelerometer
- 4 tactile buttons for D-pad style interactions
- Female socket for connection to a Particle device
- Additional female headers for adding extra actuators and sensors
- Backward compatible with the Core

