

10 9 8 7 6 5 4 3 2 1

F

E

D

C

B

A

F

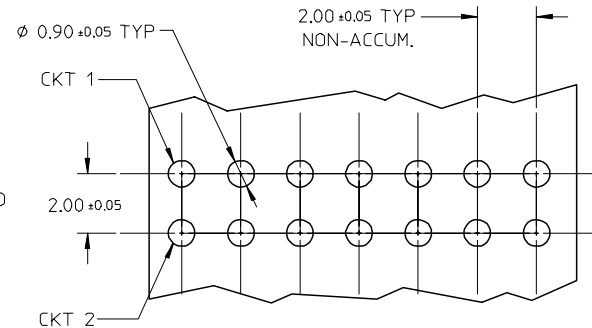
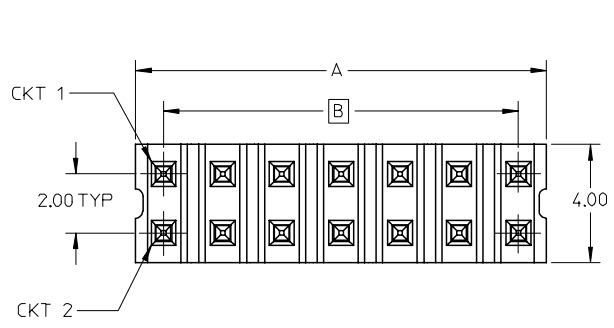
E

D

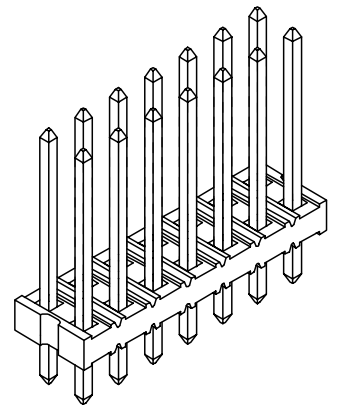
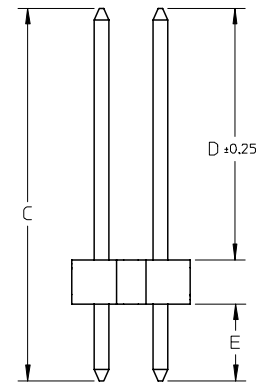
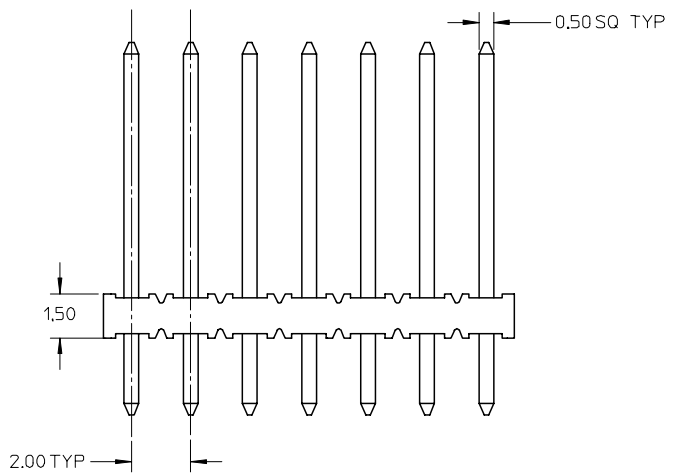
C

B

A



RECOMMENDED P.C.B HOLE LAYOUT



- NOTES:
- MATERIAL:
HOUSING: 30% G.F. NYLON 46, UL94V-0,
COLOR: BLACK
TERMINAL: COPPER ALLOY 0.50mm SQ
 - PLATING TYPE:
 - GOLD FLASH OVER
50 MICRO INCHES MIN. NICKEL OVERALL.
 - 1 MICRO INCHES MIN. GOLD PLATE ON CONTACT AND
75 MICRO INCHES MIN. TIN ON SOLDERTAIL OVER
50 MICRO INCHES MIN. NICKEL OVERALL.
 - 10 MICRO INCHES MIN. GOLD PLATE ON CONTACT AND
75 MICRO INCHES MIN. TIN ON SOLDERTAIL OVER
50 MICRO INCHES MIN. NICKEL OVERALL.
 - 15 MICRO INCHES MIN. GOLD PLATE ON CONTACT AND
75 MICRO INCHES MIN. TIN ON SOLDERTAIL OVER
50 MICRO INCHES MIN. NICKEL OVERALL.
 - 30 MICRO INCHES MIN. GOLD PLATE ON CONTACT AND
75 MICRO INCHES MIN. TIN ON SOLDERTAIL OVER
50 MICRO INCHES MIN. NICKEL OVERALL.
 - 100 MICRO INCHES MIN. TIN IN SELECTED AREA OVER
50 MICRO INCHES MIN. NICKEL OVERALL.
 - PIN PUSHOUT FORCE: 1KG MIN IN EITHER DIRECTION
 - THE ABOVE 14 CKT IS FOR ILLUSTRATION PURPOSE ONLY.
 - FOR PACKAGING OPTION PLEASE REFER TO THE TABLE.

9 8 7 6 5 4 3 2 1

NEW RELEASE EC NO: S2005-0399 DRAWN:KCHO 2004/12/13 CHKD:PTLIM 2004/12/13 APPR:SKTOH 2004/12/14	QUALITY SYMBOLS ▽=0 ▽=0	GENERAL TOLERANCES (UNLESS SPECIFIED)		DIMENSION STYLE	SCALE	DESIGN UNITS	THIRD ANGLE PROJECTION	
				MM ONLY	NTS	METRIC		
				mm	INCH	DRAWN BY	DATE	TITLE
		4 PLACES	± ---	± ---	± ---	KCHO	2004/11/05	SALES DRAWING
3 PLACES	± ---	± ---	± ---	CHECKED BY	DATE	2.00MM DUAL ROW HEADER		
2 PLACES	± 0.20	± ---	± ---	PTLIM	2004/11/24	SINGLE WAFER T/H		
1 PLACE	± ---	± ---	± ---	APPROVED BY	DATE	MOLEX INCORPORATED		
ANGULAR ± 3 °				SCLOW	2004/11/26			
DRAFT WHERE APPLICABLE MUST REMAIN WITHIN DIMENSIONS		SEE TABLE		MATERIAL NO.	DOCUMENT NO.	SHEET NO.		
A		A3		SD-87758-030		1 OF 3		

PACKAGING OPTION PART NO.		CKT SIZE	VOID POSITION	PLATING TYPE	DIMENSION					PACKAGING OPTION PART NO.			CKT SIZE	VOID POSITION	PLATING TYPE	DIMENSION							
TRAY	TUBE WITHOUT CAP				TUBE WITH CAP	A	B	C	D	E	TRAY	TUBE WITHOUT CAP				TUBE WITH CAP	A	B	C	D	E		
F	87758-0201	-----	-----	2	----	1	1.90	----	12.60	8.50	2.60	87758-0801	-----	-----	8	----	1	7.90	6.00	12.60	8.50	2.60	F
	87758-0202	-----	-----	2	----	2	1.90	----	12.60	8.50	2.60	87758-0802	-----	-----	8	----	2	7.90	6.00	12.60	8.50	2.60	
	87758-0203	-----	-----	2	----	3	1.90	----	12.60	8.50	2.60	87758-0803	-----	-----	8	----	3	7.90	6.00	12.60	8.50	2.60	
	87758-0204	-----	-----	2	----	4	1.90	----	12.60	8.50	2.60	87758-0804	-----	-----	8	----	4	7.90	6.00	12.60	8.50	2.60	
	87758-0205	-----	-----	2	----	5	1.90	----	12.60	8.50	2.60	87758-0805	-----	-----	8	----	5	7.90	6.00	12.60	8.50	2.60	
	87758-0206	-----	-----	2	----	6	1.90	----	12.60	8.50	2.60	87758-0806	-----	-----	8	----	6	7.90	6.00	12.60	8.50	2.60	
E																							E
	87758-0401	-----	-----	4	----	1	3.90	2.00	12.60	8.50	2.60	87758-1001	-----	-----	10	----	1	9.90	8.00	12.60	8.50	2.60	
	87758-0402	-----	-----	4	----	2	3.90	2.00	12.60	8.50	2.60	87758-1002	-----	-----	10	----	2	9.90	8.00	12.60	8.50	2.60	
	87758-0403	-----	-----	4	----	3	3.90	2.00	12.60	8.50	2.60	87758-1003	-----	-----	10	----	3	9.90	8.00	12.60	8.50	2.60	
	87758-0481	-----	-----	4	----	4	3.90	2.00	12.60	8.50	2.60	87758-1004	-----	-----	10	----	4	9.90	8.00	12.60	8.50	2.60	
D	87758-0405	-----	-----	4	----	5	3.90	2.00	12.60	8.50	2.60	87758-1005	-----	-----	10	----	5	9.90	8.00	12.60	8.50	2.60	D
	87758-0406	-----	-----	4	----	6	3.90	2.00	12.60	8.50	2.60	87758-1006	-----	-----	10	----	6	9.90	8.00	12.60	8.50	2.60	
	87758-0601	-----	-----	6	----	1	5.90	4.00	12.60	8.50	2.60	87758-1201	-----	-----	12	----	1	11.90	10.00	12.60	8.50	2.60	
	87758-0602	-----	-----	6	----	2	5.90	4.00	12.60	8.50	2.60	87758-1202	-----	-----	12	----	2	11.90	10.00	12.60	8.50	2.60	
C	87758-0603	-----	-----	6	----	3	5.90	4.00	12.60	8.50	2.60	87758-1203	-----	-----	12	----	3	11.90	10.00	12.60	8.50	2.60	C
	87758-0604	-----	-----	6	----	4	5.90	4.00	12.60	8.50	2.60	87758-1204	-----	-----	12	----	4	11.90	10.00	12.60	8.50	2.60	
	87758-0605	-----	-----	6	----	5	5.90	4.00	12.60	8.50	2.60	87758-1205	-----	-----	12	----	5	11.90	10.00	12.60	8.50	2.60	
	87758-0606	-----	-----	6	----	6	5.90	4.00	12.60	8.50	2.60	87758-1206	-----	-----	12	----	6	11.90	10.00	12.60	8.50	2.60	
B																							B

NEW RELEASE EC NO: S2005-0399 DRAWN:KCHO 2004/12/13 CHKD:PTLIM 2004/12/13 APPR:SKTOH 2004/12/14	QUALITY SYMBOLS ▽=0 ▽=0	GENERAL TOLERANCES (UNLESS SPECIFIED)		DIMENSION STYLE MM ONLY		SCALE NTS	DESIGN UNITS METRIC	THIRD ANGLE PROJECTION	
		4 PLACES ± --- ± ---		DRAWN BY DATE KCHO 2004/11/05		TITLE SALES DRAWING 2.00MM DUAL ROW HEADER SINGLE WAFER T/H MOLEX INCORPORATED			
		3 PLACES ± --- ± ---		CHECKED BY DATE PTL IM 2004/11/24					
		2 PLACES ± 0.20 ± ---		APPROVED BY DATE SCLOW 2004/11/26		DOCUMENT NO. SD-87758-030		SHEET NO. 2 OF 3	
1 PLACE ± --- ± ---		ANGULAR ± 3 °		MATERIAL NO.					
DRAFT WHERE APPLICABLE MUST REMAIN WITHIN DIMENSIONS		SEE TABLE		THIS DRAWING CONTAINS INFORMATION THAT IS PROPRIETARY TO MOLEX INCORPORATED AND SHOULD NOT BE USED WITHOUT WRITTEN PERMISSION					

PACKAGING OPTION PART NO.		CKT SIZE	VOID POSITION	PLATING TYPE	DIMENSION					PACKAGING OPTION PART NO.		CKT SIZE	VOID POSITION	PLATING TYPE	DIMENSION								
TRAY	TUBE WITHOUT CAP				TUBE WITH CAP	A	B	C	D	E	TRAY				TUBE WITHOUT CAP	TUBE WITH CAP	A	B	C	D	E		
F	87758-1401	-----	-----	14	----	1	13.90	12.00	12.60	8.50	2.60	87758-2001	-----	-----	20	----	1	19.90	18.00	12.60	8.50	2.60	F
	87758-1402	-----	-----	14	----	2	13.90	12.00	12.60	8.50	2.60	87758-2002	-----	-----	20	----	2	19.90	18.00	12.60	8.50	2.60	
	87758-1403	-----	-----	14	----	3	13.90	12.00	12.60	8.50	2.60	87758-2003	-----	-----	20	----	3	19.90	18.00	12.60	8.50	2.60	
	87758-1404	-----	-----	14	----	4	13.90	12.00	12.60	8.50	2.60	87758-2004	-----	-----	20	----	4	19.90	18.00	12.60	8.50	2.60	
	87758-1405	-----	-----	14	----	5	13.90	12.00	12.60	8.50	2.60	87758-2005	-----	-----	20	----	5	19.90	18.00	12.60	8.50	2.60	
	87758-1406	-----	-----	14	----	6	13.90	12.00	12.60	8.50	2.60	87758-2006	-----	-----	20	----	6	19.90	18.00	12.60	8.50	2.60	
E																							E
	87758-1601	-----	-----	16	----	1	15.90	14.00	12.60	8.50	2.60	87758-2201	-----	-----	22	----	1	21.90	20.00	12.60	8.50	2.60	
	87758-1602	-----	-----	16	----	2	15.90	14.00	12.60	8.50	2.60	87758-2202	-----	-----	22	----	2	21.90	20.00	12.60	8.50	2.60	
	87758-1603	-----	-----	16	----	3	15.90	14.00	12.60	8.50	2.60	87758-2203	-----	-----	22	----	3	21.90	20.00	12.60	8.50	2.60	
	87758-1681	-----	-----	16	----	4	15.90	14.00	12.60	8.50	2.60	87758-2281	-----	-----	22	----	4	21.90	20.00	12.60	8.50	2.60	
D	87758-1605	-----	-----	16	----	5	15.90	14.00	12.60	8.50	2.60	87758-2205	-----	-----	22	----	5	21.90	20.00	12.60	8.50	2.60	D
	87758-1606	-----	-----	16	----	6	15.90	14.00	12.60	8.50	2.60	87758-2206	-----	-----	22	----	6	21.90	20.00	12.60	8.50	2.60	
	87758-1801	-----	-----	18	----	1	17.90	16.00	12.60	8.50	2.60	87758-2401	-----	-----	24	----	1	23.90	22.00	12.60	8.50	2.60	
	87758-1802	-----	-----	18	----	2	17.90	16.00	12.60	8.50	2.60	87758-2402	-----	-----	24	----	2	23.90	22.00	12.60	8.50	2.60	
C	87758-1803	-----	-----	18	----	3	17.90	16.00	12.60	8.50	2.60	87758-2403	-----	-----	24	----	3	23.90	22.00	12.60	8.50	2.60	C
	87758-1804	-----	-----	18	----	4	17.90	16.00	12.60	8.50	2.60	87758-2404	-----	-----	24	----	4	23.90	22.00	12.60	8.50	2.60	
	87758-1805	-----	-----	18	----	5	17.90	16.00	12.60	8.50	2.60	87758-2405	-----	-----	24	----	5	23.90	22.00	12.60	8.50	2.60	
	87758-1806	-----	-----	18	----	6	17.90	16.00	12.60	8.50	2.60	87758-2406	-----	-----	24	----	6	23.90	22.00	12.60	8.50	2.60	
B																							B

NEW RELEASE EC NO: S2005-0399 DRAWN:KCHO 2004/12/13 CHKD:PTLIM 2004/12/13 APPR:SKTOH 2004/12/14	QUALITY SYMBOLS ▽=0 ▽=0	GENERAL TOLERANCES (UNLESS SPECIFIED)		DIMENSION STYLE MM ONLY		SCALE NTS	DESIGN UNITS METRIC	THIRD ANGLE PROJECTION																							
		<table border="1"> <tr><td>4 PLACES</td><td>±---</td><td>±---</td></tr> <tr><td>3 PLACES</td><td>±---</td><td>±---</td></tr> <tr><td>2 PLACES</td><td>±0.20</td><td>±---</td></tr> <tr><td>1 PLACE</td><td>±---</td><td>±---</td></tr> </table>		4 PLACES	±---	±---	3 PLACES	±---	±---	2 PLACES	±0.20	±---	1 PLACE	±---	±---	<table border="1"> <tr><td>mm</td><td>INCH</td></tr> <tr><td>±---</td><td>±---</td></tr> <tr><td>±0.20</td><td>±---</td></tr> <tr><td>±---</td><td>±---</td></tr> </table>		mm	INCH	±---	±---	±0.20	±---	±---	±---	DRAWN BY KCHO	DATE 2004/11/05	TITLE SALES DRAWING 2.00MM DUAL ROW HEADER SINGLE WAFER T/H			
		4 PLACES	±---	±---																											
		3 PLACES	±---	±---																											
2 PLACES	±0.20	±---																													
1 PLACE	±---	±---																													
mm	INCH																														
±---	±---																														
±0.20	±---																														
±---	±---																														
ANGULAR ± 3 °		CHECKED BY PTLIM	DATE 2004/11/24																												
DRAFT WHERE APPLICABLE MUST REMAIN WITHIN DIMENSIONS		APPROVED BY SLOW		DATE 2004/11/26	MOLEX INCORPORATED																										
		MATERIAL NO.		DOCUMENT NO. SD-87758-030		SHEET NO. 3 OF 3																									