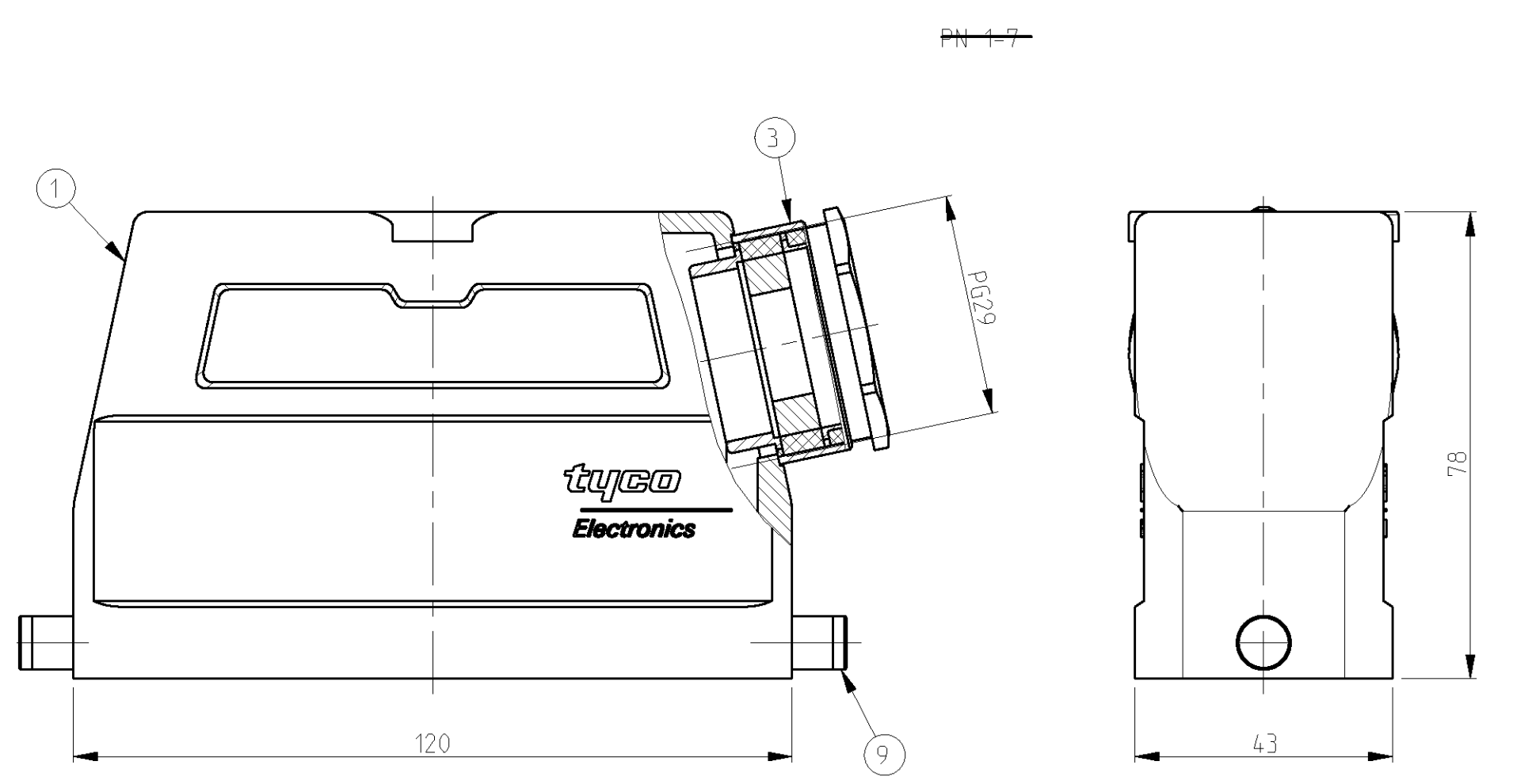
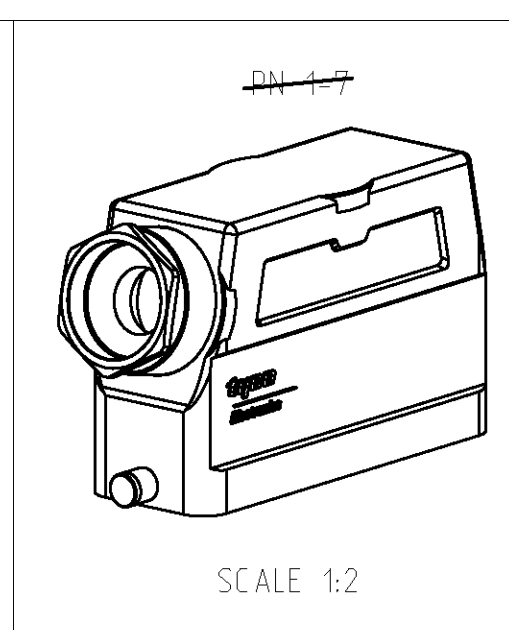
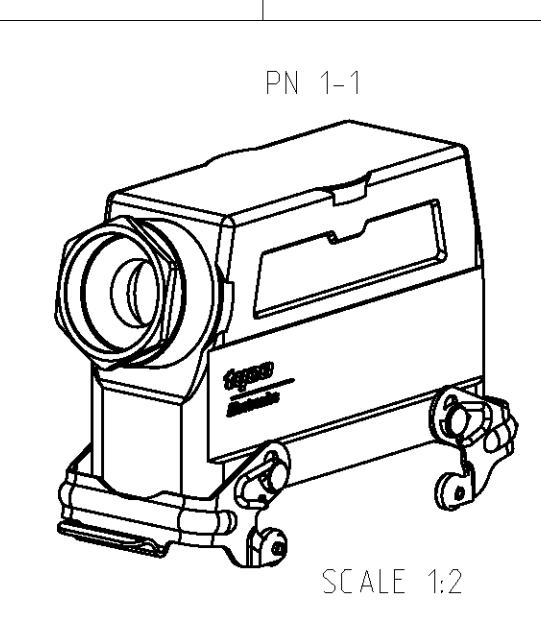
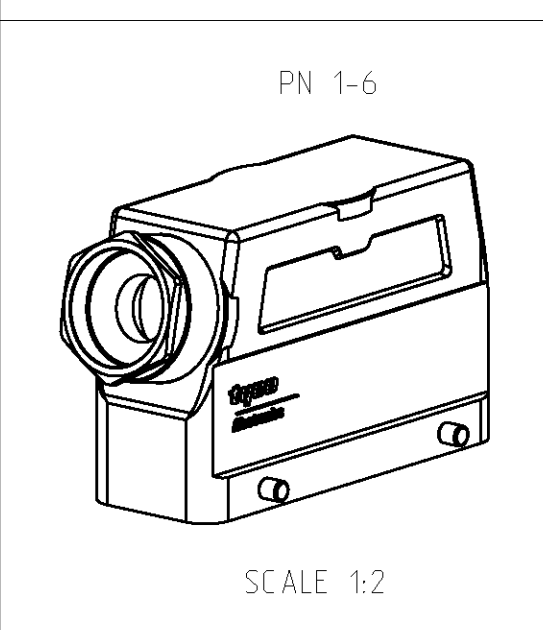
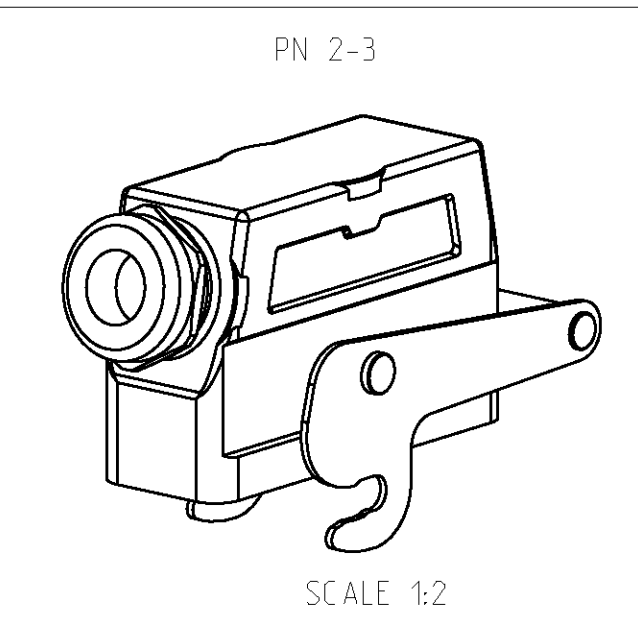
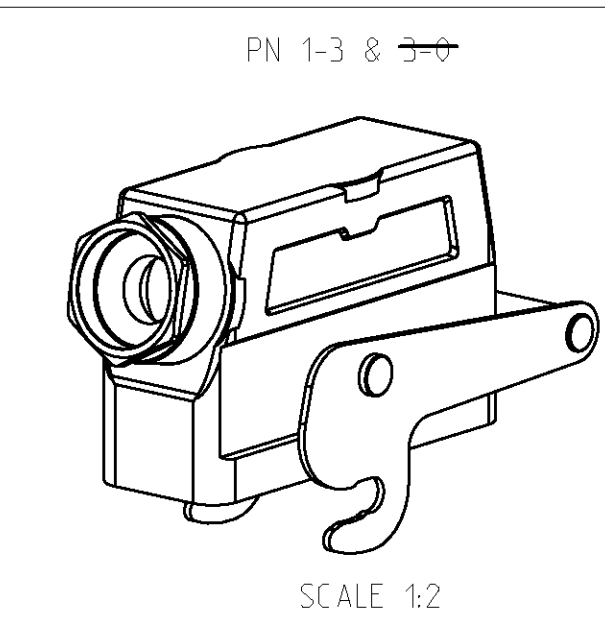
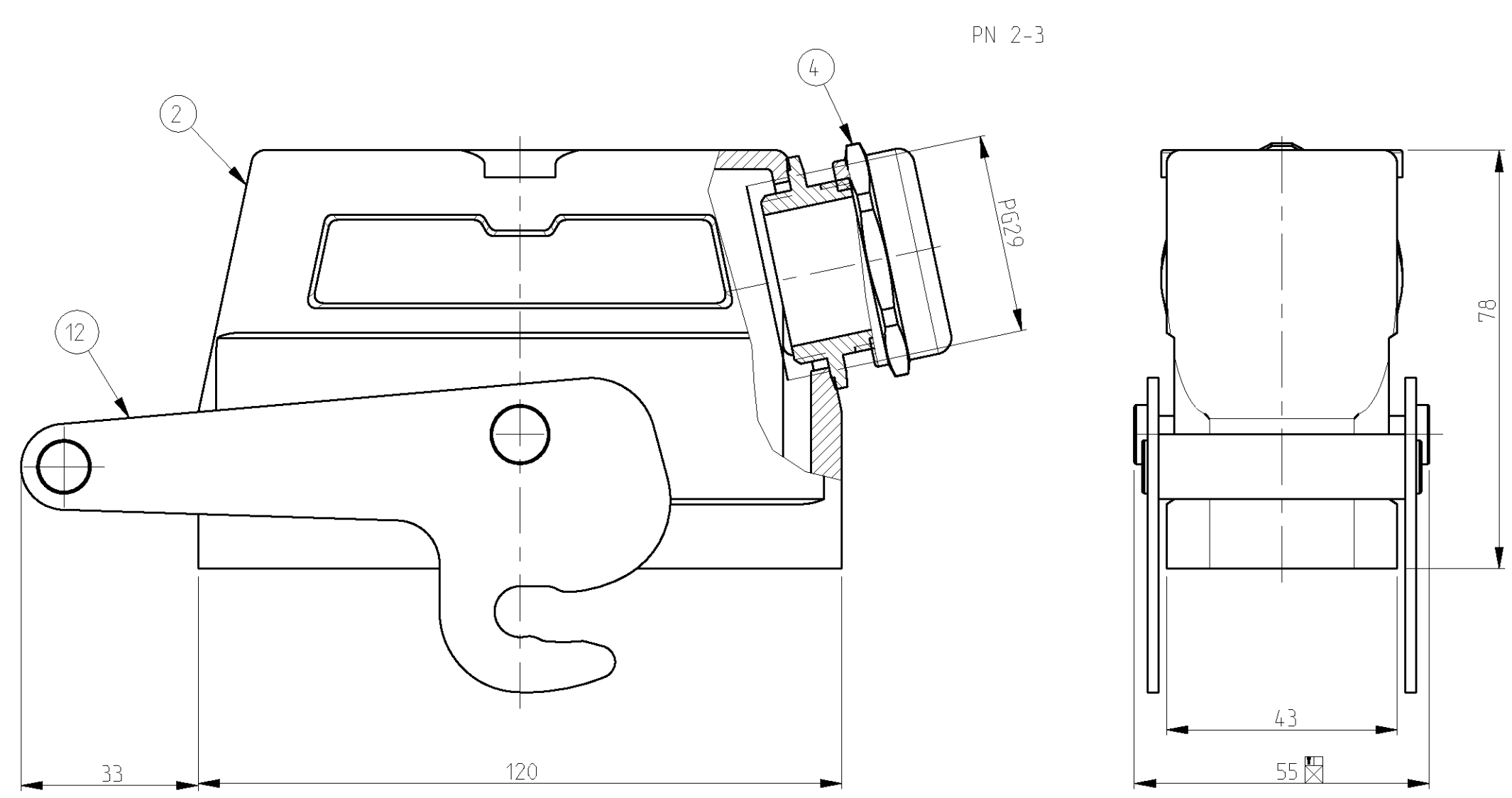
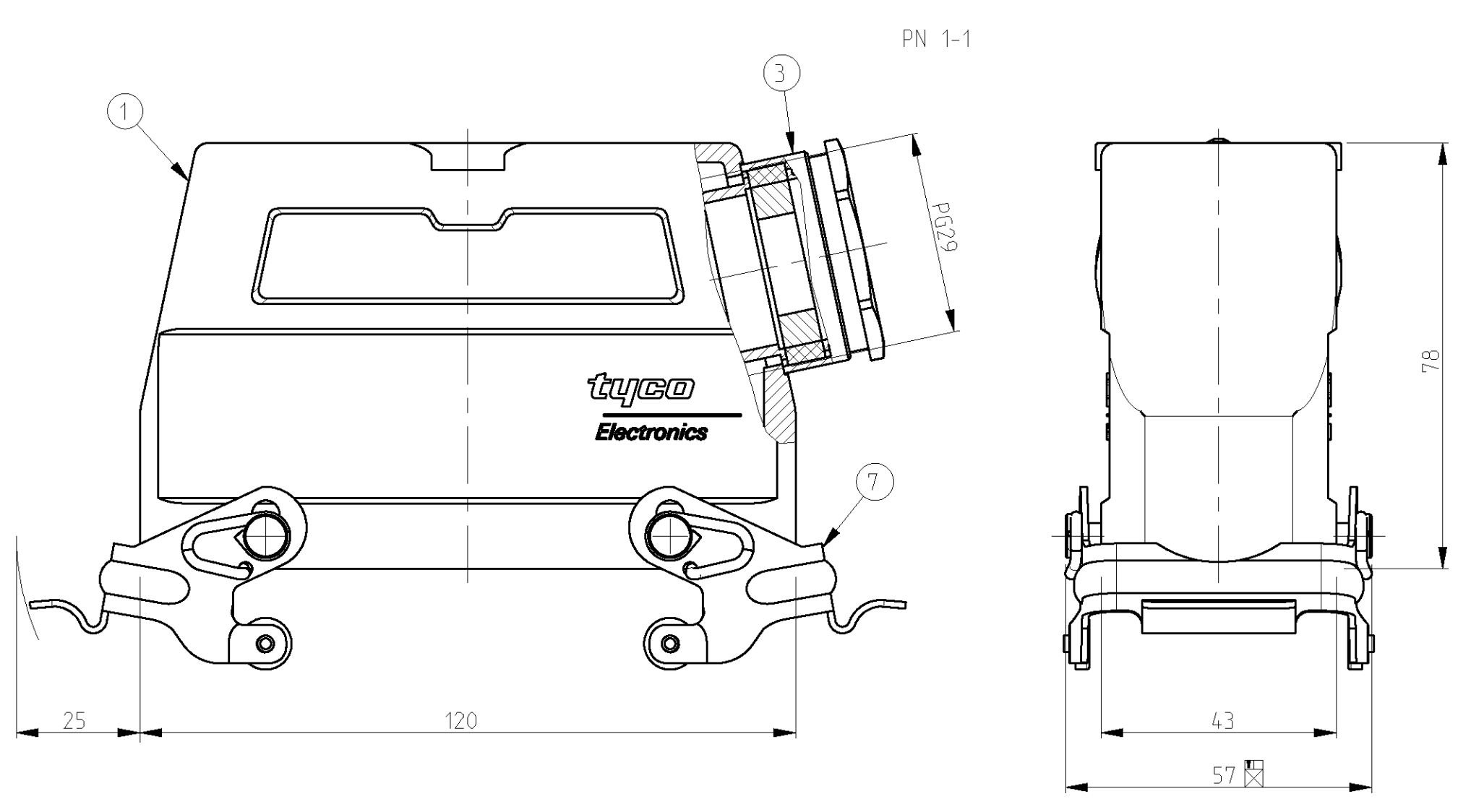


LOC	DISC	REV	DESCRIPTION	DATE	DWN	APVD
A1	-	C6	Released as per ECR-07-030424	17.12.07	SP	TS
		C7	REVISED PER ECO-09-027197	18JAN10	KK	HMR

- NOTES.
- Material:Housing:Aluminium Diecasting Alloy
  - Surface:Varnish grey:black
  - Varnish on the inside not necessary
  - Packaging  
Quantity 5 Pieces in a box

**5** OBSOLETE PARTS: OBSOLETE CIS STREAMLINING PER  
 D.RENAUD/D.SINISI



QTY	REF	DESCRIPTION	MATERIAL	SURFACE	COLOR	ITEM NO	REMARKS
1	1	HD Hood	Aluminium	Lenox yellow RAL 9017		13	
1	1	ZB-Central clip	Stainless steel	yellow, RAL 9012		12	
1	2	ZB-Central clip	Steel	Zinc plated	Blue	11	
1	2	LB-Clip bolt	Stainless steel			10	
1	2	LB-Clip bolt	Steel	Zinc plated	Blue	9	
1	2	VS-Side clip	Stainless steel			8	
1	2	VS-Side clip	Steel	Zinc plated	Blue	7	
1	4	VS-Clip bolt	Stainless steel			6	
1	4	VS-Clip bolt	Steel	Zinc plated	Blue	5	
1	1	Gland fitting Pg29	Brass	Nickel plated	Blue	4	
1	1	Cable connection round Pg29	Brass	Nickel plated		3	
1	1	HD Hood	Aluminium	Aluminium oxide	Black	2	
1	1	HD Hood	Aluminium		Grey	1	

ORDERING TEXT  
 HD.64.Sts.1.29  
 HD-K.64.Sts.1.29  
 HD.64.Sts-VS.1.29  
 HD-K.64.Sts-VS.1.29  
 HD.64.Sts-GR.1.29  
 HD-K.64.Sts-GR.1.29  
 HD-Z.64.Sts-ZB.1.29  
 HD-K/Z.64.Sts-ZB.1.29  
 HD-Z.64.Sts-ZB.1.29.50

DIMENSIONS: mm  
 TOLERANCES UNLESS OTHERWISE SPECIFIED:  
 0 PL ±0.10  
 1 PL ±0.15  
 2 PL ±0.20  
 3 PL ±0.25  
 4 PL ±0.30  
 ANGLES ±0.5°

DWN: Schneider 17.07.1997  
 CHK: Schnurpfeil 17.07.1997  
 APVD: -

**Tyco Electronics** Tyco Electronics AMP GmbH  
 0-53819-Neunkirchen, Germany

PRODUCT SPEC: 108-74001  
 APPLICATION SPEC: 114-74001  
 WEIGHT: 114-74004

NAME: Hood  
 HD.64

SIZE: A1  
 CAGE CODE: 00779  
 DRAWING NO: C=1102449

CUSTOMER DRAWING SCALE: 1:1 SHEET: 1 OF 1 REV: C7