

MATERIALS AND FINISHES

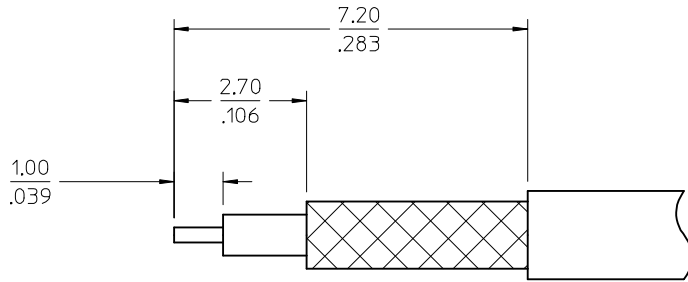
BODY BRASS  
PLATED SEE TABLE

CENTER CONTACT BRASS  
PLATED GOLD

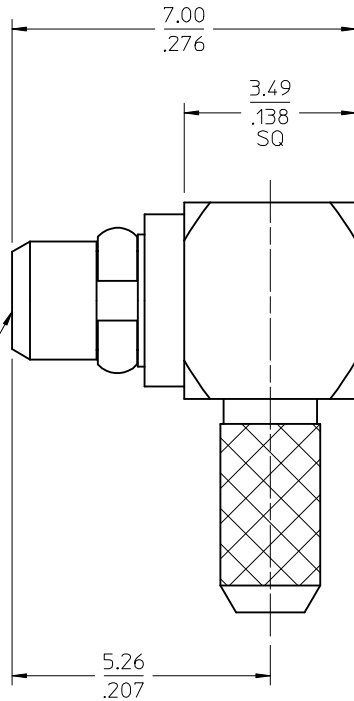
INSULATOR TEFLON

NOTE :  
73415-0955 IS FOR ENHANCED PERFORMANCE.

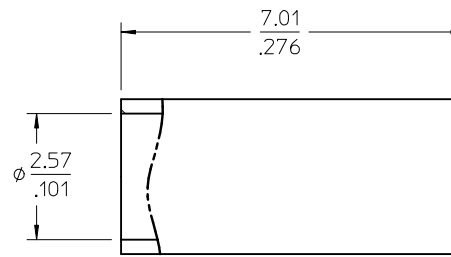
MMCX PLUG  
INTERFACE



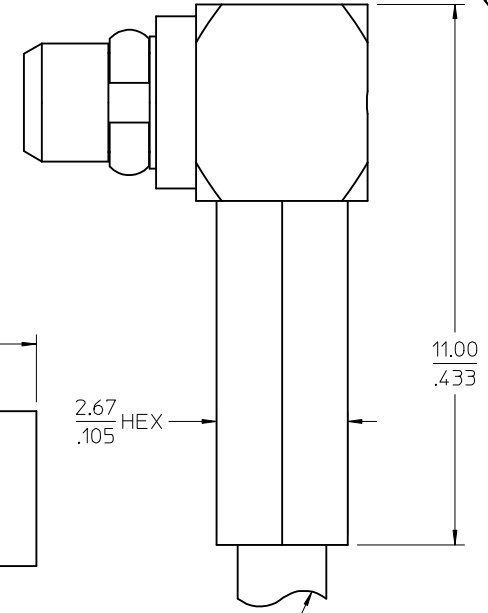
RECOMMENDED STRIP DIMENSIONS



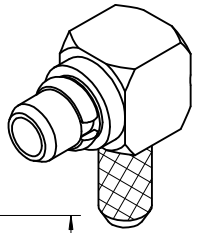
CAP



CRIMP TUBE



RG178 CABLE



ES-73599-0000-015	INTERFACE
PS-89675-1920	ELECTRO/MECH PERFORM.
SPECIFICATION	DESCRIPTION

73415-0955	GOLD OVER NICKEL PER COMMERCIAL REQUIREMENTS	BULK
73415-0954	GOLD OVER NICKEL PER COMMERCIAL REQUIREMENTS	BULK
73415-0953	GOLD OVER NICKEL PER COMMERCIAL REQUIREMENTS	73415-0951, ONE PER BAG
73415-0952	NICKEL	BULK
73415-0951	GOLD OVER NICKEL PER COMMERCIAL REQUIREMENTS	BULK
73415-0950	GOLD OVER NICKEL PER MILITARY REQUIREMENTS	BULK
PART NO.	PLATING	PACKAGING

CHG: PS CHANGE  
PS-89675-1920 WAS  
PS-89675-1930

EC NO: 2012/08/09  
DRWN: YCHENG  
CHKD:  
APPR: MHUANG 2012/08/21

DESCRIPTION  
REV: C1

QUALITY SYMBOLS  
  
 GENERAL TOLERANCES (UNLESS SPECIFIED)  
 mm INCH  
 4 PLACES ± --- ± ---  
 3 PLACES ± --- ± ---  
 2 PLACES ± --- ± ---  
 1 PLACE ± --- ± ---  
 ANGULAR ± 2 °  
 DRAFT WHERE APPLICABLE  
 MUST REMAIN  
 WITHIN DIMENSIONS

DIMENSION STYLE  
MM/IN  
 DRAWN BY DATE  
EDC 1999/01/27  
 CHECKED BY DATE  
EDC 1999/01/27  
 APPROVED BY DATE  
MHUANG 2010/02/23  
 MATERIAL NO.  
 SEE TABLE  
 SIZE C  
 THIS DRAWING CONTAINS INFORMATION THAT IS PROPRIETARY TO MOLEX INCORPORATED AND SHOULD NOT BE USED WITHOUT WRITTEN PERMISSION

SCALE  
DESIGN UNITS  
METRIC  
 THIRD ANGLE PROJECTION  
 TITLE  
 MMCX PLUG 50 OHMS R/A  
 FOR RG178 CABLE  
 MMCX-P/RG178  
 MOLEX INCORPORATED  
 DOCUMENT NO.  
 SD-73415-095  
 SHEET NO.  
 1 OF 1