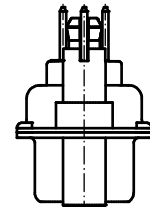
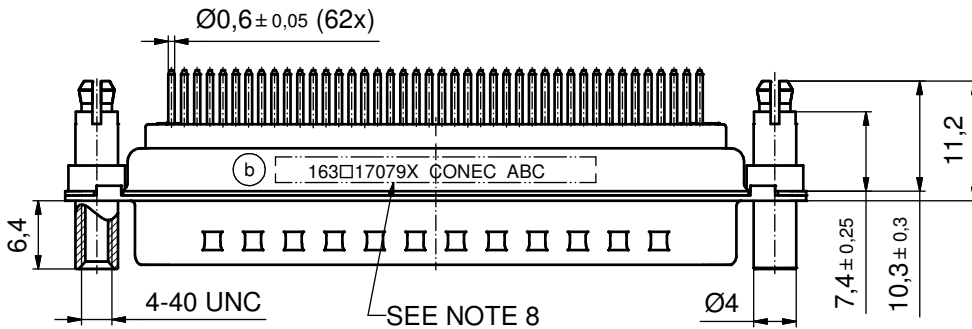
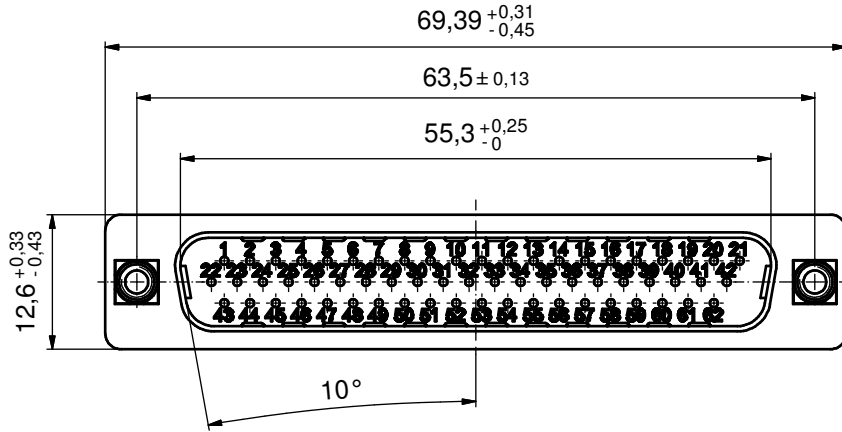
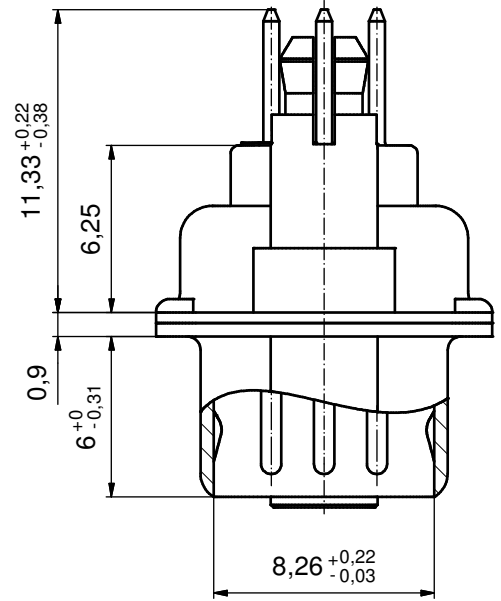


(5:1)



NOTES:

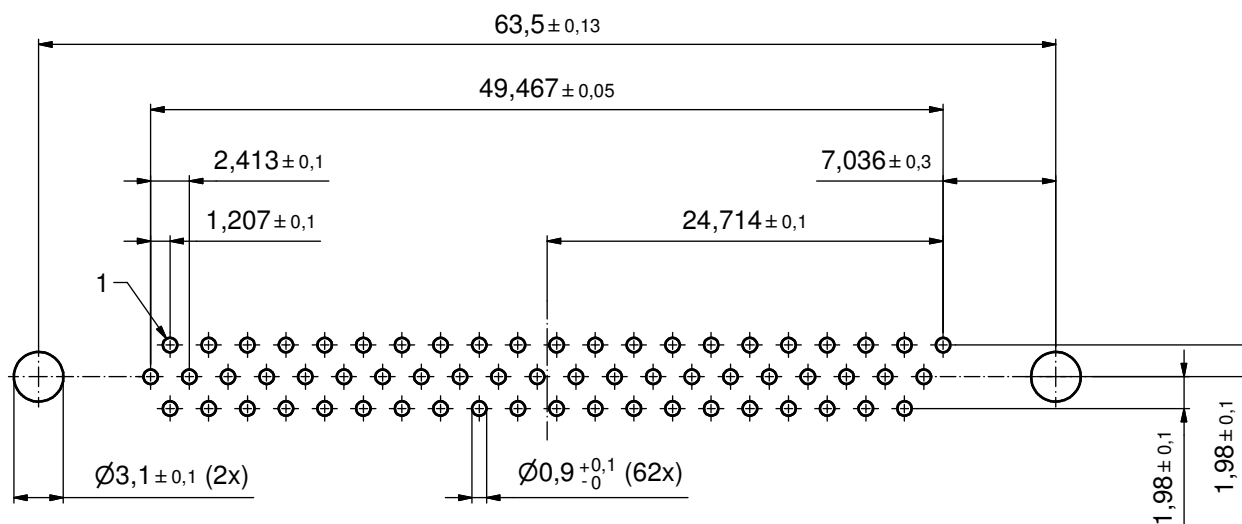
1. METALSHELLS: STEEL; min. 315µin TIN over 40-80µin NICKEL
2. INSULATORS: PBT GF UL 94 V-0, BLACK
3. CONTACTS: COPPER ALLOY; PLATING (SEE PART NO.):
 - PLEASE ADD A for GOLD FLASH over NICKEL (PREFERRED TYPE)
 - PLEASE ADD B for 20µin HARD GOLD over min. 50µin NICKEL
 - PLEASE ADD C for 30µin HARD GOLD over min. 50µin NICKEL
4. THREADED LOCK AND SPACER CLIPS:
 - COPPER ALLOY; min. 200µin TIN over 80µin NICKEL
 - PCB-HOLE: $\varnothing 3,1 \pm 0,1$; PCB THICKNESS 1,6mm
5. COLLARS: COPPER ALLOY; min. 200µin TIN over 80µin NICKEL
6. P.C.B. HOLE DRILLINGS ON SHEET 2
7. MAXIMUM TORQUE VALUE FOR THREAD: 6 in.LB
8. CONNECTOR IS PART MARKED: **163□17079X CONEC ABC** (see note 3)

Directive 2002/95/EC RoHS compliant

THIS DRAWING MAY NOT BE COPIED OR REPRODUCED IN ANY WAY, AND MAY NOT BE PASSED ON TO A THIRD PARTY WITHOUT WRITTEN PERMISSION. OWNERSHIP AND COPYRIGHT OF CONEC GmbH DO NOT ALTER CAD DRAWING BY HAND	tolerance		dim. in mm		scale: 2:1 (5:1)	
	date		name		material: see notes	
	drawn	03.01.14	Henneboel		title: D-SUB HD MALE 62pos. SOLDER PIN STRAIGHT with threaded lock and spacer clip	
	appd.	06.01.14	Lehmenkühler			
	norm					
d-old	16K1A1785		dwg no:		DIN-A3	
3 x b	Ä5034	03.01.2014	K.H.			sh: 1/2
a	Original			part no: 16K1A3369		
rev.	description	date	name	part no: (b) 163□17079X (see note 3)		

P.C.B. HOLE DRILLINGS

(P.C.B. TOP SIDE)



THIS DRAWING MAY NOT BE COPIED OR REPRODUCED IN ANY WAY, AND MAY NOT BE PASSED ON TO A THIRD PARTY WITHOUT WRITTEN PERMISSION. OWNERSHIP AND COPYRIGHT OF CONEC GmbH DO NOT ALTER CAD DRAWING BY HAND					tolerance		scale: 3:1	
					date	name	material: see sheet 1	
					drawn	03.01.14 Henneboel	title: P.C.B. HOLE DRILLINGS D-SUB HD MALE 62pos. with threaded lock and spacer clip	
					appd.	06.01.14 Lehmenkühler		
					norm			
					d-old			
	a	Original			CONEC [®]		dwg no:	DIN-A3
	rev.	description	date	name			16K1A3369	sh: 2/2
							part no:	SEE SHEET 1