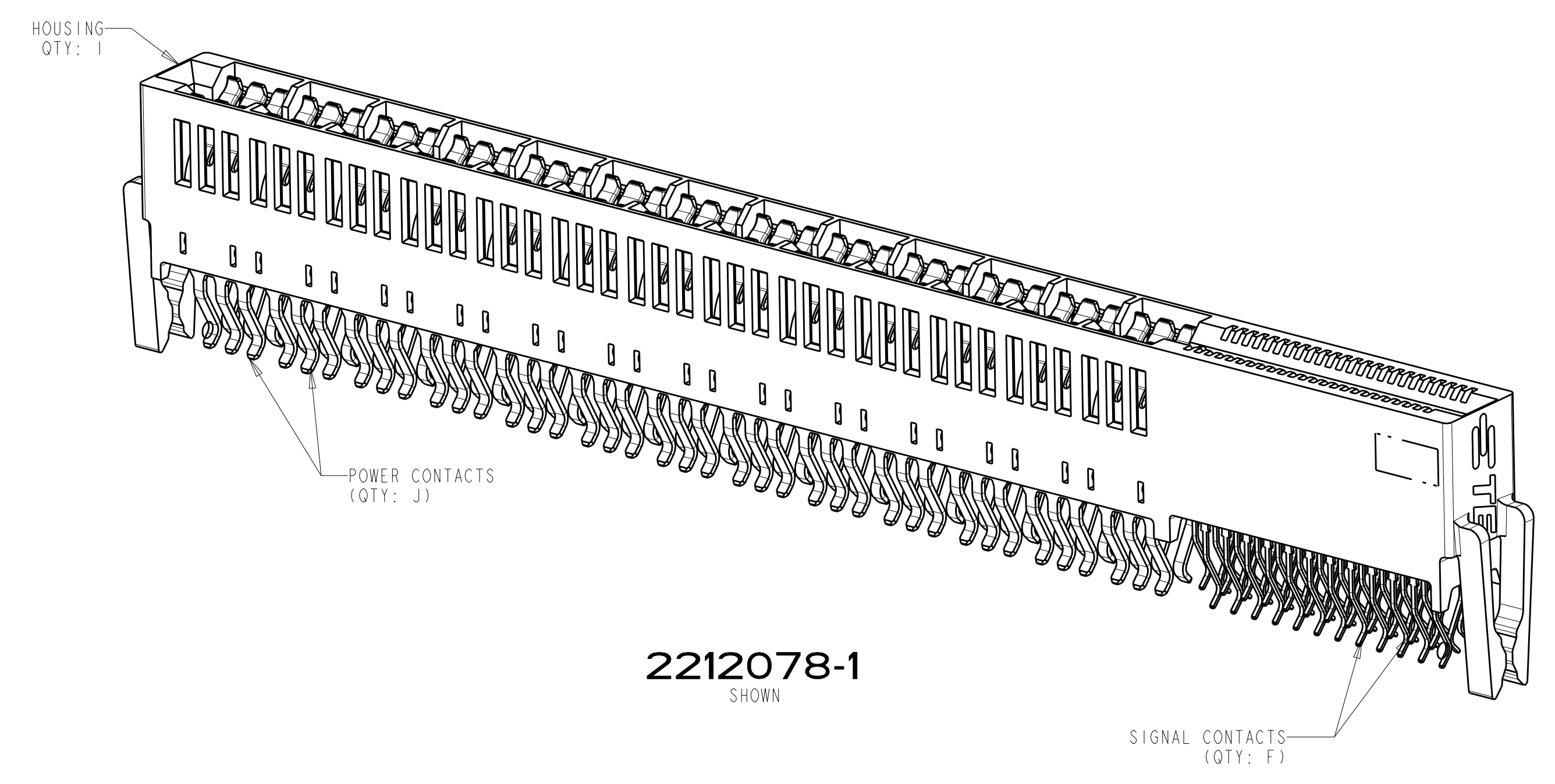


LOC	DIST	REVISIONS					
		P	LTN	DESCRIPTION	DATE	DWN	APVD
AA	00	A		FIRST RELEASE	25JUN2016	SZ	SZ

- MATERIAL: HOUSING - THERMOPLASTIC, GLASS REINFORCED, COLOR: BLACK
CONTACT - COPPER ALLOY
 - FINISH: CONTACT - GOLD PLATED OVER NICKEL.
SOLDER TAILS - MATTE TIN OVER NICKEL
- 3 CONNECTOR ASSEMBLY MARKED WITH PART NUMBER AND DATE CODE IN THE APPROXIMATE AREA SHOWN
- 4 DATUMS AND BASIC DIMENSIONS TO BE ESTABLISHED BY CUSTOMER



36.12	10.44	30.76	12	13.93	1.41	4	24.37	22	2	31.07	33.87	2 X 2 POWER 2 X 12 SIGNAL	2212078-5
65.16	24.96	59.80	12	28.45	15.93	12	53.41	22	10	60.11	62.91	2 X 6 POWER 2 X 12 SIGNAL	2212078-4
46.64	15.70	41.28	8	19.19	10.67	8	34.89	14	6	41.59	44.39	2 X 4 POWER 2 X 8 SIGNAL	2212078-3
28.12	6.44	22.76	4	9.93	5.41	4	16.37	6	2	23.07	25.87	2 X 2 POWER 2 X 4 SIGNAL	2212078-2
127.98	56.37	122.62	24	59.86	35.34	26	116.23	46	24	122.93	125.73	2 X 13 POWER X 2 X 24 SIGNAL	2212078-1
R	P	N	M	L	K	J	H	E	C	B	A	DESCRIPTION	PART NUMBER

THIS DRAWING IS A CONTROLLED DOCUMENT.

DIMENSIONS: mm

TOLERANCES UNLESS OTHERWISE SPECIFIED:

0 PLC	±
1 PLC	±0.5
2 PLC	±0.25
3 PLC	±
4 PLC	±

ANGLES: ±0.5°

MATERIAL: SEE NOTE 1

FINISH: SEE NOTE 2

THIS DRAWING IS A CONTROLLED DOCUMENT.

DWN: L.A. WENSEL 10DEC2012

CHK: D. DEFIBAUGH 10DEC2012

APVD: S. FLICKINGER 10DEC2012

NAME: CONNECTOR ASSEMBLY, MULTI-BEAM CE, POWER/SIGNAL, STRADDLE MOUNT

PRODUCT SPEC: -

APPLICATION SPEC: -

WEIGHT: -

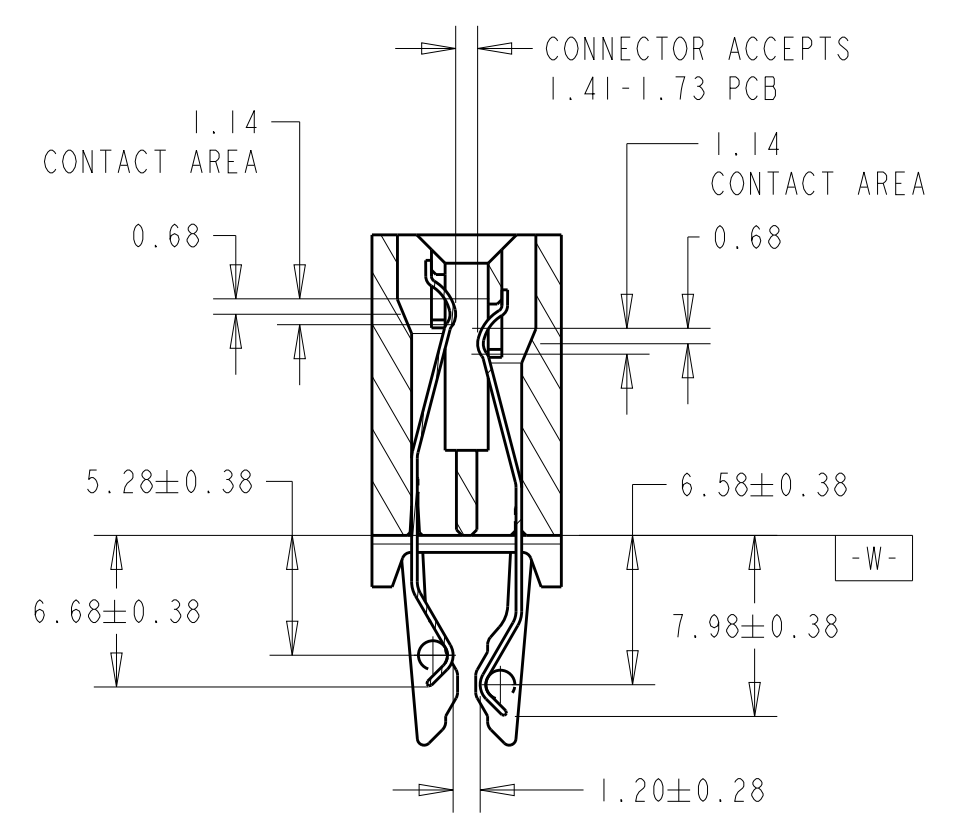
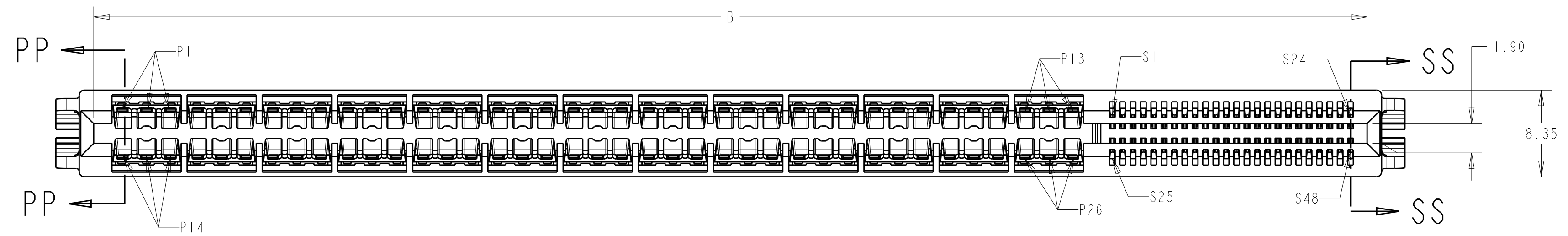
CUSTOMER DRAWING

SCALE: 1:1

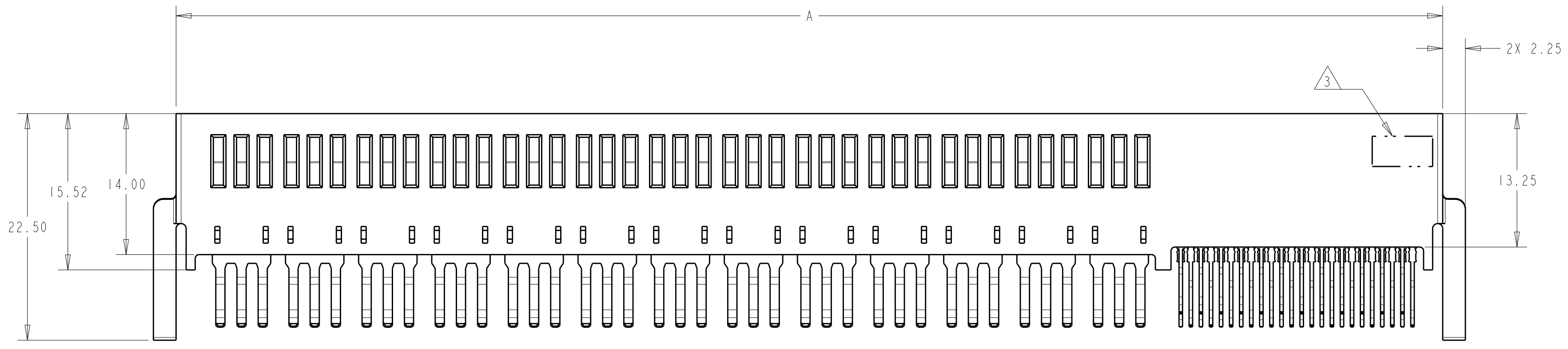
SHEET 1 OF 3

REV A

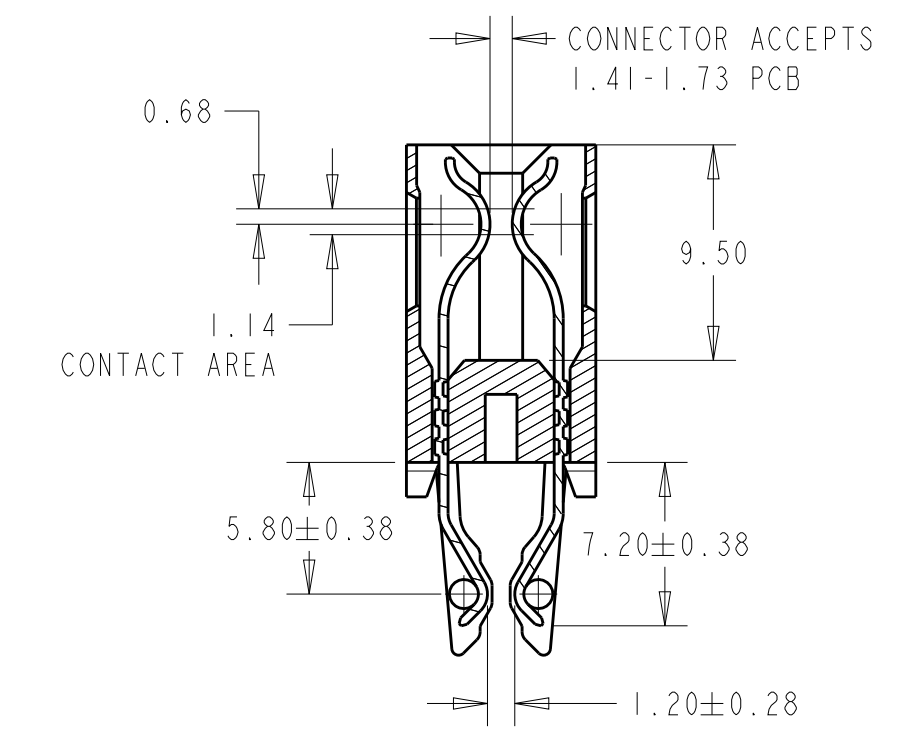
LOC	DIST	REVISIONS					
AA	00	P	LTN	DESCRIPTION	DATE	DWN	APVD
		-		SEE SHEET 1			



SECTION SS-SS
SIGNAL CONTACTS



2212078-1 SHOWN



SECTION PP-PP
POWER CONTACTS

THIS DRAWING IS A CONTROLLED DOCUMENT.		DWN L.A. WENSEL 10DEC2012	TE Connectivity
DIMENSIONS: mm		CHK D. DEFIBAUGH 10DEC2012	
TOLERANCES UNLESS OTHERWISE SPECIFIED:		APVD S. ELICKINGER 10DEC2012	NAME CONNECTOR ASSEMBLY, MULTI-BEAM CE, POWER/SIGNAL, STRADDLE MOUNT
0 PLC ±	1 PLC ±0.3	PRODUCT SPEC	SIZE A1
2 PLC ±0.13	3 PLC ±	APPLICATION SPEC	CAGE CODE 00779
4 PLC ±	ANGLES ±0.5°	WEIGHT	DRAWING NO. 2212078
MATERIAL SEE NOTE 1	FINISH SEE NOTE 2	CUSTOMER DRAWING	RESTRICTED TO
		SCALE 1:1	SHEET 2 OF 3
			REV A

