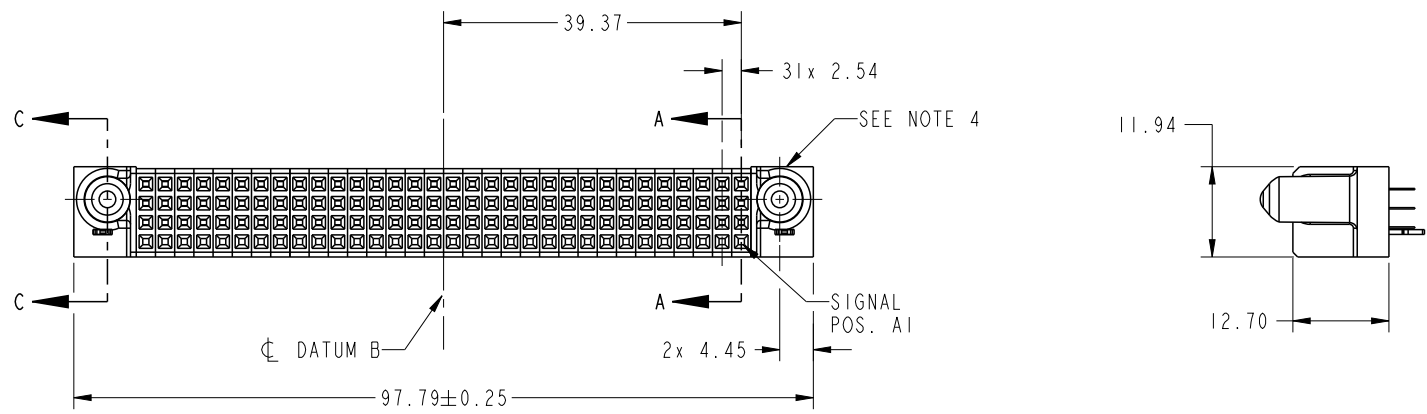


PRODUCT NO. 51940-261-- NOTE: 3	ROWS D C B A	SIGNAL																																			
		E2	32	31	30	29	28	27	26	25	24	23	22	21	20	19	18	17	16	15	14	13	12	11	10	9	8	7	6	5	4	3	2	1	E1		
			E	E	E	E	E	E	E	E	E	E	E	E	E	E	E	E	E	E	E	E	E	E	E	E	E	E	E	E	E	E	E	E	E	E	
			X	X	X	X	X	X	X	X	X	X	X	X	X	X	X	X	X	X	X	X	X	X	X	X	X	X	X	X	X	X	X	X	X	X	



CODE	DIM "M" MATING LENGTH	CONTACT TYPE
E	[N/A]	SIGNAL
HA	[N/A]	HOLD-DOWN
X	OMITTED	

spec ref	*	dr	Julia Wang	2008/08/06	projection	MM	size	A4	scale	1:1
tolerance std	TOLERANCES UNLESS OTHERWISE SPECIFIED	eng	De-Ming Lu	2014/04/02			ecn no	-	rel level	Released
SEE NOTE		chr	-	-						
surface	✓	appr	Pei-Ming Zheng	2014/04/02	product family	PwrBlade		rev		
linear		0.X	±0.50		title	128S	dwg no	51940-261	A	
		0.XX	±0.25							
	0.XXX	±0.1								
angular	0°	±2°	www.fci.com	cat. no.	*	Product - Customer Drw	sheet 1 of 4			

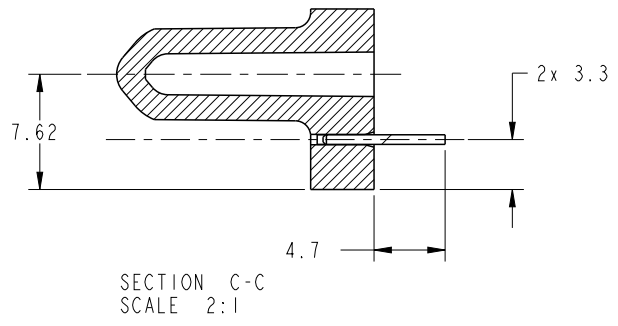
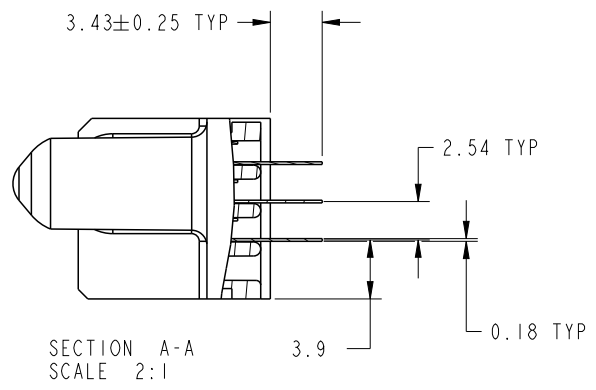


Copyright FCI.

PwrE File - REV C - 2009-06-09

PRODUCT NUMBER

51940-261--
NOTE: 3

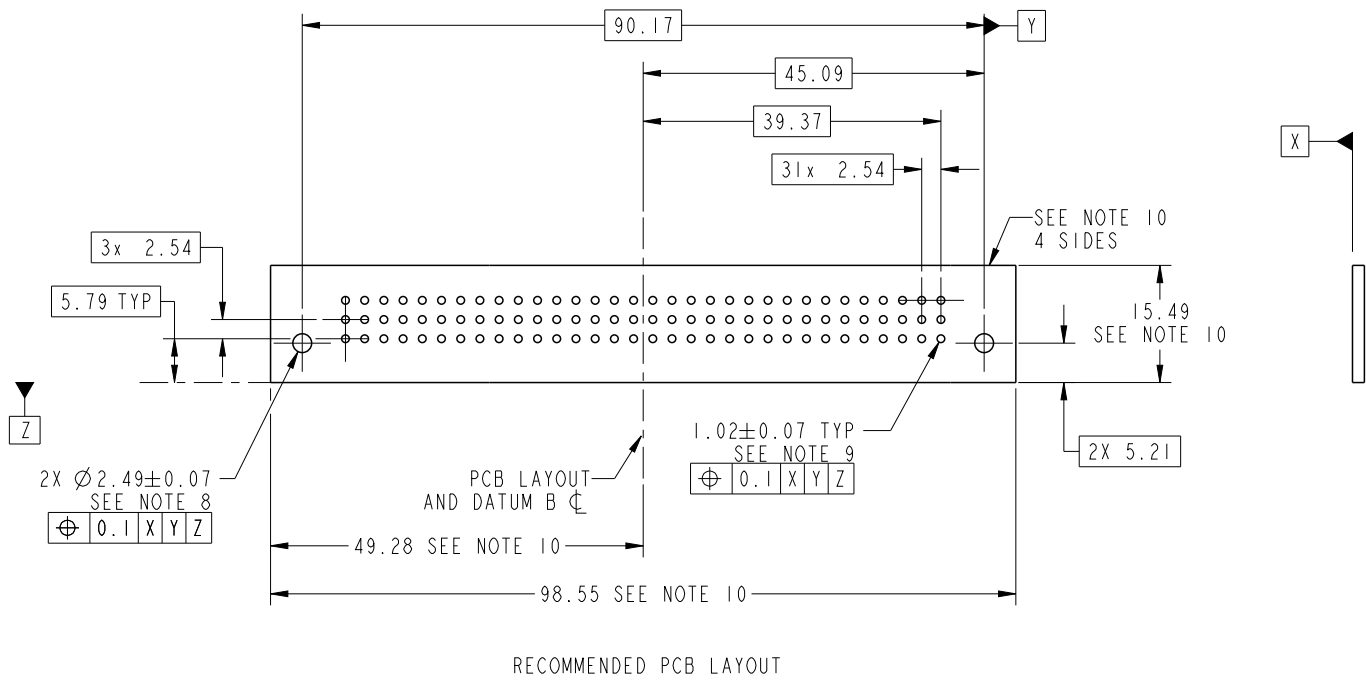


dr	Julia Wang	2008/08/06	projection 	MM 	size	A4	scale	1:1	
eng	De-Ming Lu	2014/04/02			ecn no	-			
chr	-	-			rel level	Released			
appr	Pei-Ming Zheng	2014/04/02	product family	PwrBlade					
		title	128S VERTICAL STB RECEIPT		dwg no	51940-261		rev	A
www.fci.com		cat. no.	*	Product - Customer Drw			sheet 2 of 4		



Copyright FCI.

PRODUCT NUMBER
51940-261--
NOTE: 3



RECOMMENDED PCB LAYOUT



Copyright FCI.

dr	Julia Wang	2008/08/06	projection 	MM 	size	A4	scale	1:1
eng	De-Ming Lu	2014/04/02			ecn no	-		
chr	-	-			rel level	Released		
appr	Pei-Ming Zheng	2014/04/02	product family	PwrBlade				
	title	I28S VERTICAL STB RECEPT		dwg no	51940-261		rev	A
www.fci.com	cat. no.	*	Product - Customer Drw		sheet 3 of 4			

PrdE File - REV C - 2009-06-09

PRODUCT NUMBER
51940-261-- NOTE: 3

A

A

NOTES:

1. DIMENSIONS AND TOLERANCES ARE IN ACCORDANCE WITH ASME Y14.5M, 1994 UNLESS OTHERWISE SPECIFIED.

CONNECTOR NOTES:

- 2 HOUSING MATERIAL: UL 94 V-0 GLASS FILLED HIGH-TEMP THERMOPLASTIC
POWER CONTACT MATERIAL: COPPER ALLOY
SIGNAL PIN MATERIAL: COPPER ALLOY
- 3. PLATING SPEC.
51940-261, 51940-261LF PLATING SPEC. WAS SHOWN IN THE PRINT OF 10064183.

B

B

4 MANUFACTURER'S NAME, P/N, AND DATE CODE TO APPEAR ON THIS SURFACE.

5. PRODUCT SPECIFICATION GS-12-149.
APPLICATION SPECIFICATION BUS-20-067.

6. PACKAGED IN TRAYS.

PCB NOTES:

7. ALL HOLE DIAMETERS ARE FINISHED HOLE SIZE.

8 MOUNTING HOLES, WHERE APPLICABLE, ARE UNPLATED.

9 $\varnothing 1.151 \pm 0.025$ DRILLED HOLES PLATED WITH
0.008 MIN SnPb OR Sn OVER 0.03
TO 0.08 Cu PLATING TO ACHIEVE
 $\varnothing 1.02 \pm 0.07$ HOLE.

C

C

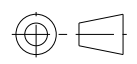
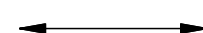

10 CONNECTOR KEEP-OUT ZONE.

D

D



Copyright FCI.

dr	Julia Wang	2008/08/06	projection 	MM 	size	A4	scale	1:1		
eng	De-Ming Lu	2014/04/02			ecn no	-				
chr	-	-			product family	PwrBlade	rel level	Released		
appr	Pei-Ming Zheng	2014/04/02			title	128S VERTICAL STB RECEIPT	dwg no	51940-261	rev	A
www.fci.com		cat. no.	*	Product - Customer Drw			sheet 4 of 4			