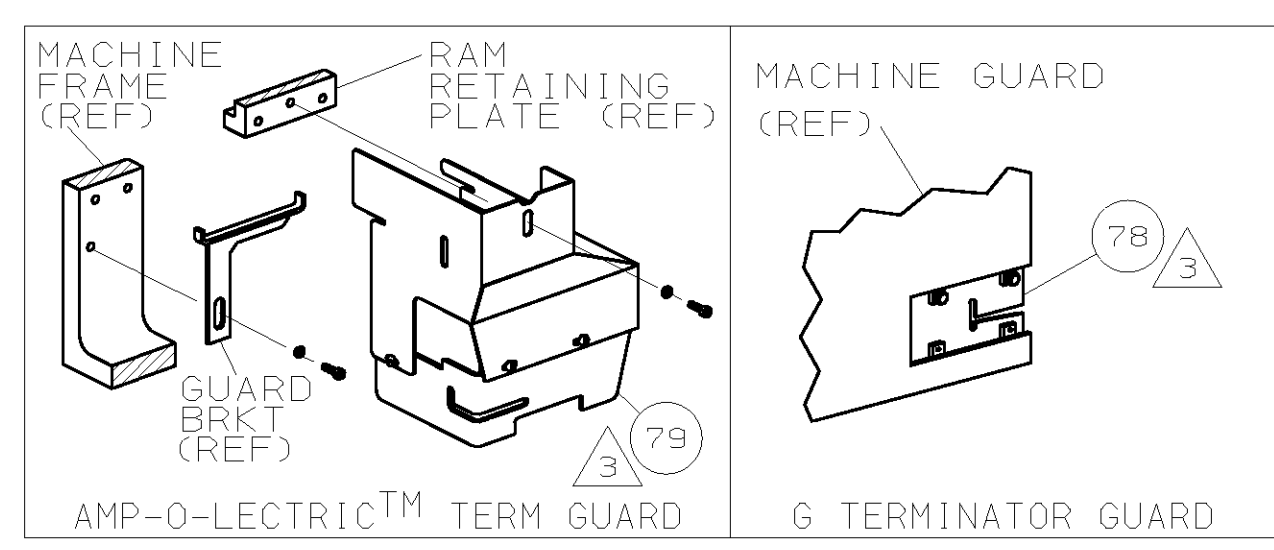
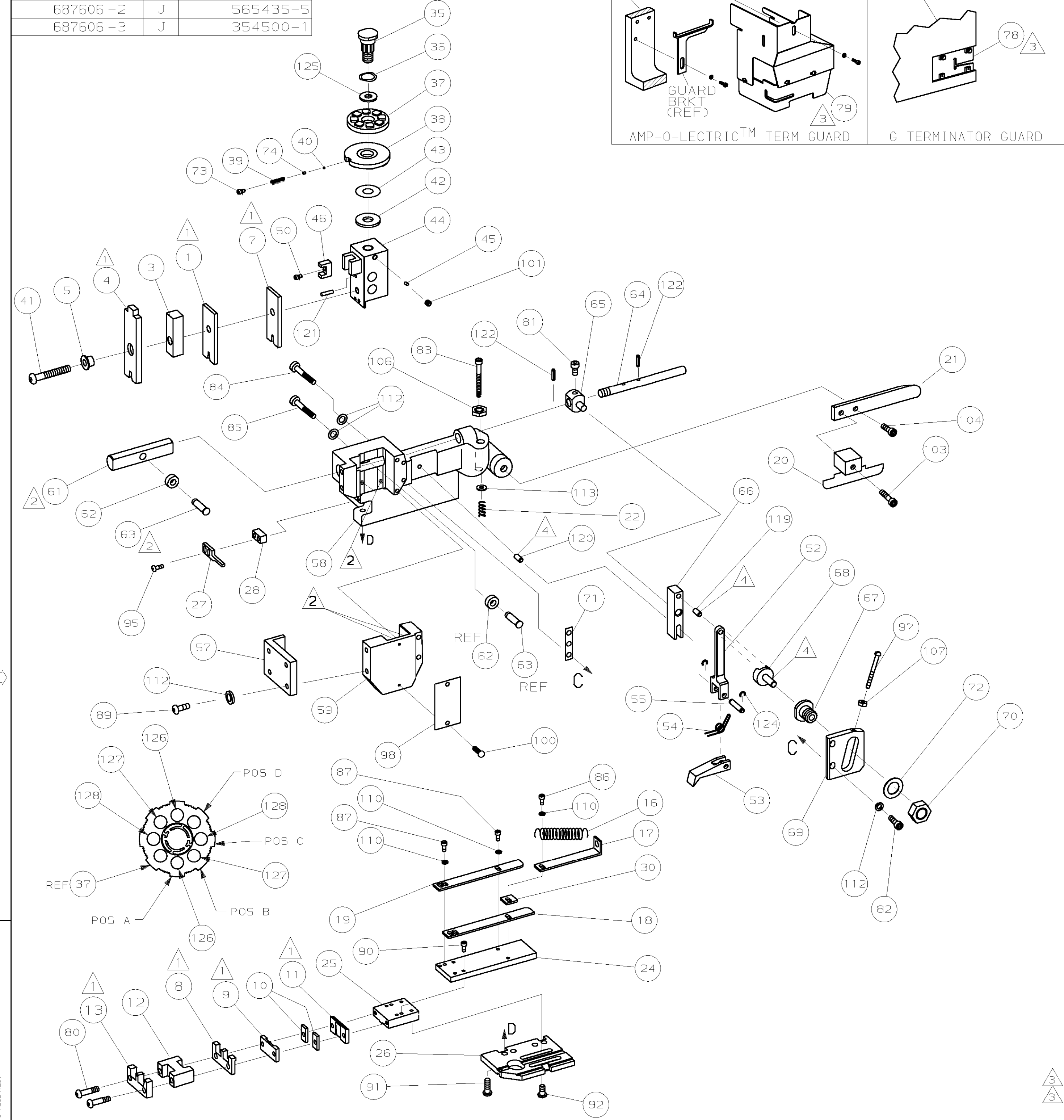


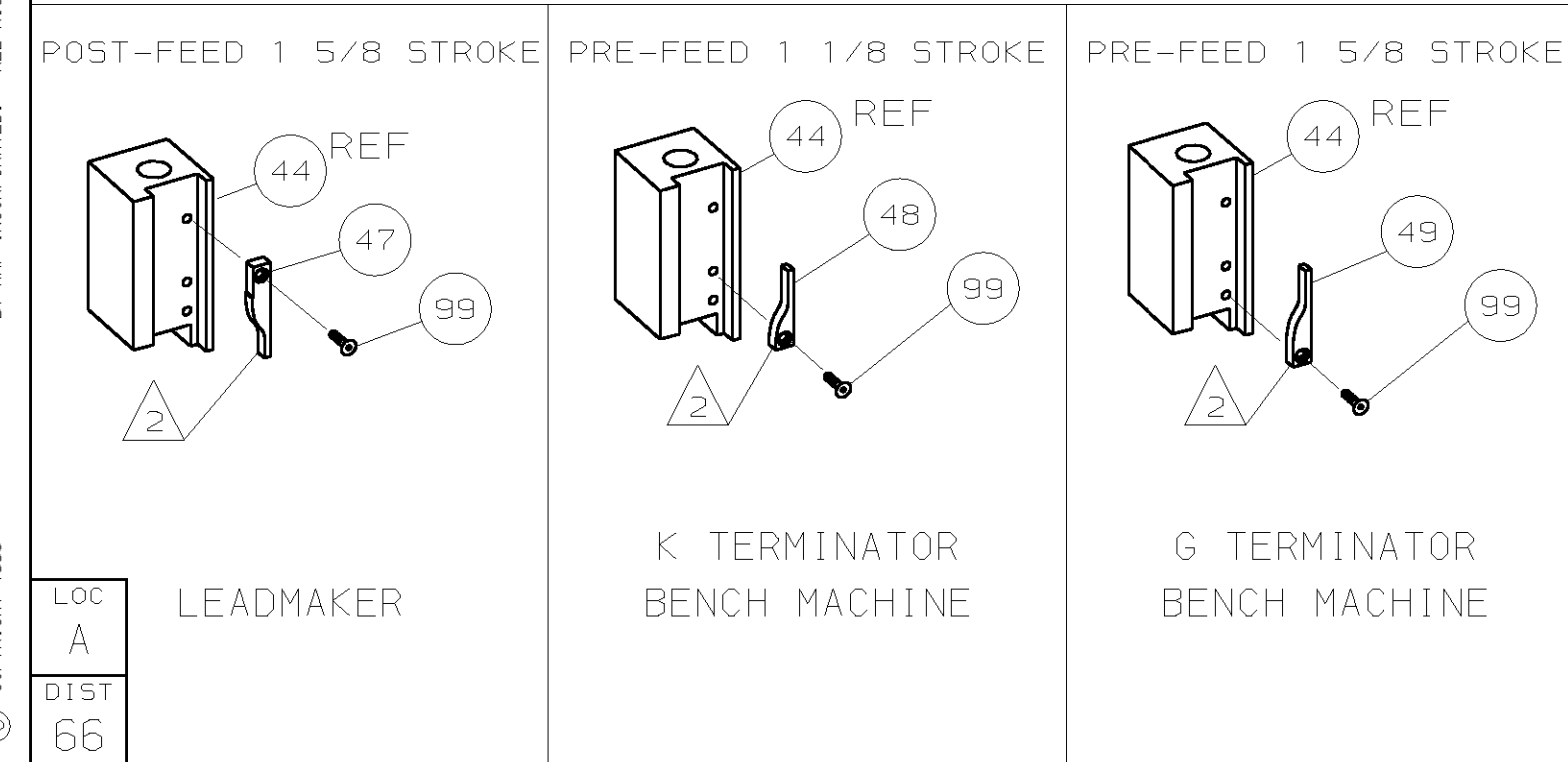
PART NUMBER	REV	FIRST USED
687606-1	J	654400-1
687606-2	J	565435-5
687606-3	J	354500-1

OBSELETE



TERMINAL NAME: SPLICE		505032		CRIMPING DATA	
PAD LTR	CRIMP HEIGHT	WIRE SIZE			
A	.067 ±.002 [1.7 ±0.05mm]	16			
B	.060 ±.002 [1.52 ±0.05mm]	18			
C	.056 ±.002 [1.42 ±0.05mm]	20			
D	NOT	USED			
CRIMP	SIZE	TYPE	RANGE		
WIRE	.090 [2.29mm]	F	20 - 16		
INSUL	.180 [4.57mm]	0	.145 MAX		
WIRE STRIP LENGTH	TERM APPL SPEC	FEED	APPL INSTRUCTION	SET UP GAGE	LAYOUT
-	-	.490	408-8039	458638-1	525

QTY	REQD	PER	ASSY	U/M	DWG SIZE	PART NO	DESCRIPTION	ITEM NO
2	2	2	-	C		1-354779-0	PIN, WIRE DISC (.3040)C	129
2	2	2	-	C		354779-2	PIN, WIRE DISC (.3000)B	127
2	2	2	-	C		8-354778-7	PIN, WIRE DISC (.2930)A	126
1	1	1	-	A		986950-1	WASHER, FLAT PRECISION	125
2	2	2	-	A		21045-3	RING, RET "C" (Ø.187)FD PIN	124
								123
2	2	2	-	A		5-21028-1	PIN, STD SPRING(Ø.12)FD ADJ ROD	122
1	1	1	-	A		9-21028-0	PIN, STD SPRING(Ø.12) CAM	121
1	1	1	-	A		1-21030-7	PIN, DOWEL (Ø.187x1.50)H56	120
1	1	1	-	A		1-21030-1	PIN, DOWEL (Ø.187x.50)LEVER	119
								118
								117
								116
								115
								114
1	1	1	-	A		22260-5	WASHER, FLAT (#6) DRAG SPRING	113
8	8	8	-	A		21024-5	WASHER, LOCK (NO.10)	112
								111
4	4	4	-	A		21024-4	WASHER, LOCK (NO.8) STRIP GD	110
								109
								108
1	1	1	-	A		21018-5	NUT, HEX (6-32)FD ADJ PL	107
1	1	1	-	A		21018-7	NUT, HEX (10-32)DRAG SPRING	106
								105
1	1	1	-	A		5-21004-7	SCR, SHLDR (Ø1/4x.250)DRAG ASM	104
1	1	1	-	A		21004-5	SCR, SHLDR (Ø1/4x1.00)DRAG	103
								102
1	1	1	-	A		21009-2	SCR, 5KT SET (1/4-20x.25)RAM	101
2	2	2	-	A		21017-2	SCR, DRIVE (#2x.19) ID PLATE	100
1	1	1	-	A		1-21002-7	SCR, BHC (6-32x.38) CAM	99
1	1	1	-	B		461264-1	PLATE, IDENTIFICATION	98
1	1	1	-	A		6-23715-5	SCR, PAN HD (6-32x1.50)FEED ADJ	97
								96
2	2	2	-	A		2-21002-4	SCR, BHC (8-32x.75) STRIPPER	95
								94
								93
4	4	4	-	A		3-21002-3	SCR, BHC (1/4-20x.50) BASE BL	92
2	2	2	-	A		3-21002-5	SCR, BHC (1/4-20x.75) BASE PL	91
2	2	2	-	A		2-21002-5	SCR, BHC (10-32x.25) ST GUIDE PLATE	90
4	4	4	-	A		2-21002-8	SCR, BHC (10-32x.62)H56 & CAP	89
								88
3	3	3	-	A		2-21000-6	SCR, 5HC (8-32x.38) STRIP GUIDE	87
1	1	1	-	A		2-21000-9	SCR, 5HC (8-32x.75) STRIP GUIDE	86
1	1	1	-	A		4-21000-1	SCR, 5HC (10-32x1.50)H56 CAP	85
1	1	1	-	A		4-21000-0	SCR, 5HC (10-32x1.25)H56 CAP	84
1	1	1	-	A		3-21000-9	SCR, 5HC (10-32x1.00)DRAG SPRING	83
2	2	2	-	A		3-21000-6	SCR, 5HC (10-32x.62)FEED ADJ PL	82
1	1	1	-	A		3-21000-4	SCR, 5HC (10-32x.38)PIVOT BLOCK	81
2	2	2	-	A		3-21002-1	SCR, BHC (10-32x1.00) ANVIL	80
-	1	1	-	A		455750-5	GUARD ASSY	79
REF	-	-	-	A		679532-1	INSERT, GUARD	78
								77
								76
								75
1	1	1	-	A		690603-1	SPRING, ASSIST	74
1	1	1	-	A		23030-1	SCR, 5KT CAP (6-32x.25) CP DSC	73
1	1	1	-	A		458109-1	WASHER, FLAT (SPECIAL)	72
1	1	1	-	A		690517-1	SPACER	71
-3	-2	-1	U/M	DWG SIZE				



- 1 RECOMMENDED SPARE PARTS.
- 2 GREASE LIGHTLY.
- 3 GUARD MUST BE IN PLACE WHEN OPERATING APPLICATOR IN A BENCH MACHINE.
- 4 LUBRICATE DAILY USING NO. 20 MACHINE OIL.

QTY	REQD	PER	ASSY	U/M	DWG SIZE	PART NO	DESCRIPTION	ITEM NO
1	1	1	-	A		22594-8	NUT, HEX	70
1	1	1	-	B		240628-1	PLATE, ADJ	69
1	1	1	-	B		240626-1	SHAFT, PIVOT	68
1	1	1	-	B		240633-1	BUSHING	67
1	1	1	-	A		240630-1	LEVER, INTERMEDIATE	66
1	1	1	-	B		240629-1	BLOCK, PIVOT	65
1	1	1	-	A		240632-1	SCR, ADJ	64
1	1	1	-	B		240659-1	PIN, CAM ROLLER	63
1	1	1	-	B		240658-1	CAM, ROLLER	62
1	1	1	-	B		240631-1	ROD, FEED	61
								60
1	1	1	-	C		690741-1	CAP, RAM	59
1	1	1	-	D		690746-1	HOUSING	58
1	1	1	-	C		691868-1	PLATE, HOUSING	57
								56
1	1	1	-	B		240624-1	PIN, FEED FINGER	55
1	1	1	-	B		240638-1	SPRING, FEED FINGER	54
1	1	1	-	B		240635-1	FINGER, FEED	53
1	1	1	-	B		240634-1	LEVER, TERMINAL	52
								51
1	1	1	-	A		22353-8	SCREW, SHOULDER	50
1	-	-	-	B		690602-6	CAM, PRE-FEED 1 5/8 ST	49
-	1	1	-	B		690602-2	CAM, PRE-FEED 1 1/8 ST	48
-	-	-	-	B		238015-1	CAM, POST-FEED 1 5/8 ST	47
1	1	1	-	C		690402-1	BLOCK, INS, ADJUSTMENT	46
1	1	1	-	A		690191-1	PLUG, NYLON	45
1	1	1	-	C		690476-1	RAM	44
1	1	1	-	A		690125-1	WASHER, LAMINATED	43
1	1	1	-	A		690124-4	WASHER, RAM	42
1	1	1	-	A		7-21002-9	BOLT, CRIMPER (5/16-24x1.00)	41
1	1	1	-	A		23241-6	BALL, STEEL	40
1	1	1	-	A		690170-1	SPRING, COMPRESSION	39
1	1	1	-	C		690142-1	DISC, INSULATION	38
1	1	1	-	D		354777-1	WIRE DISC, PLASTIC	37
1	1	1	-	A		22480-5	WASHER, SPRING	36
1	1	1	-	B		690212-1	POST, RAM	35
								34
								33
								32
								31
1	1	1	-	C		690453-1	SPACER, ANCHOR	30
1	1	1	-	B		1-690451-0	SPACER, STRIPPER	28
1	1	1	-	A		804637-1	STRIPPER	27
1	1	1	-	C		690658-1	PLATE, BASE	26
1	1	1	-	A		240647-1	BLOCK, BASE	25
1	1	1	-	B		691150-1	PLATE, STRIP GUIDE	24
								23
1	1	1	-	A		7-22282-5	SPRING, DRAG	22
1	1	1	-	A		240636-1	DRAG, LEVER	21
1	1	1	-	A		1-240696-1	DRAG, STOCK	20
1	1	1	-	B		2-458030-4	GUIDE, STRIP (REAR)	19
1	1	1	-	C		2-458031-4	GUIDE, STRIP (FRONT)	18
1	1	1	-	A		238008-1	ANCHOR, SPRING	17
1	1	1	-	A		3-22287-0	SPRING, FEED RETURN	16
								15
								14
1	1	1	-	D		1-690702-8	ANVIL, INSULATION	13
1	1	1	-	B		455943-1	SPACER, ANVIL	12
1	1	1	-	B		240644-1	PLATE, REAR SHEAR	11
2	2	2	-	C		240645-2	SPACER, SHEAR PLATE	10
1	1	1	-	B		690619-4	PLATE, FRONT SHEAR	9
1	1	1	-	D		1-690618-5	ANVIL, WIRE	8
1	1	1	-	B		1-690622-6	BLADE, SLUG	7
								6
1	1	1	-	B		238009-4	SPACER, BLOCK CRIMPER	5
1	1	1	-	C		455944-1	CRIMPER, INSULATION	4
1	1	1	-	B		3-690407-8	SPACER, CRIMPER	3
								2
1	1	1	-	C		453831-2	CRIMPER, WIRE	1
-3	-2	-1	U/M	DWG SIZE				

QTY	REQD	PER	ASSY	U/M	DWG SIZE	PART NO	DESCRIPTION	ITEM NO
-3	-2	-1	U/M	DWG SIZE				