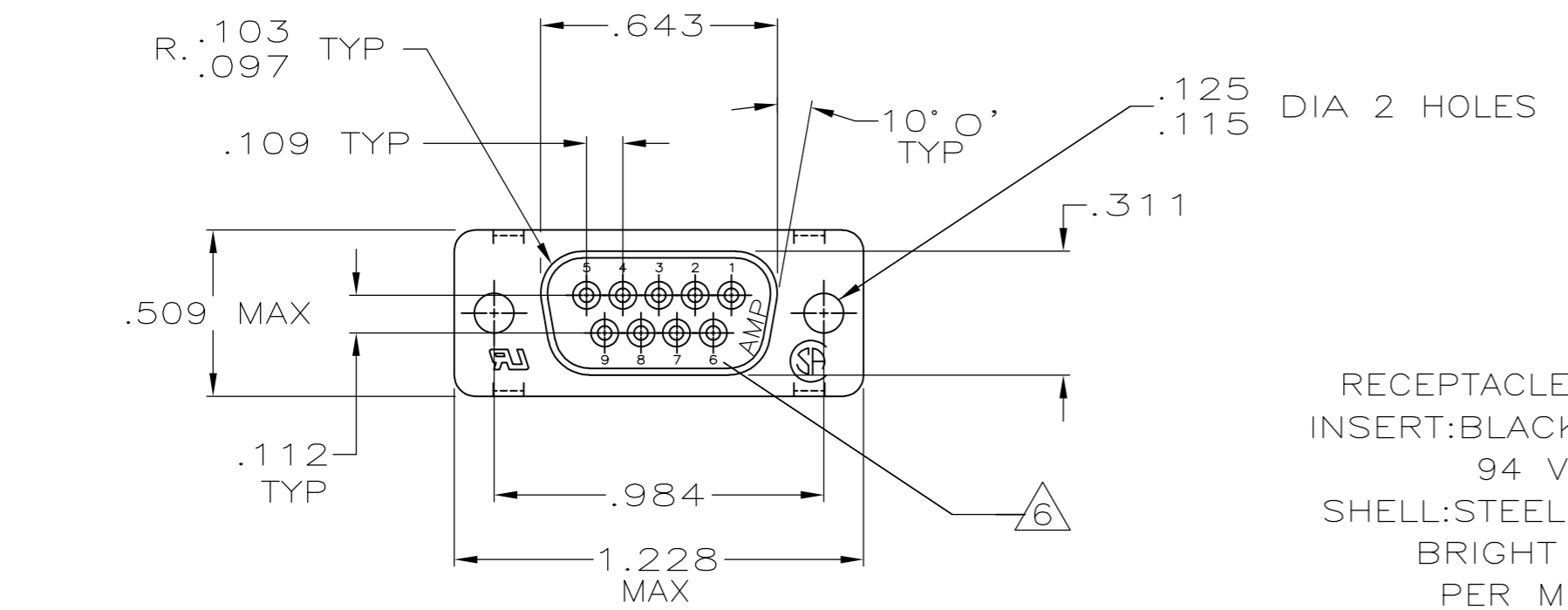
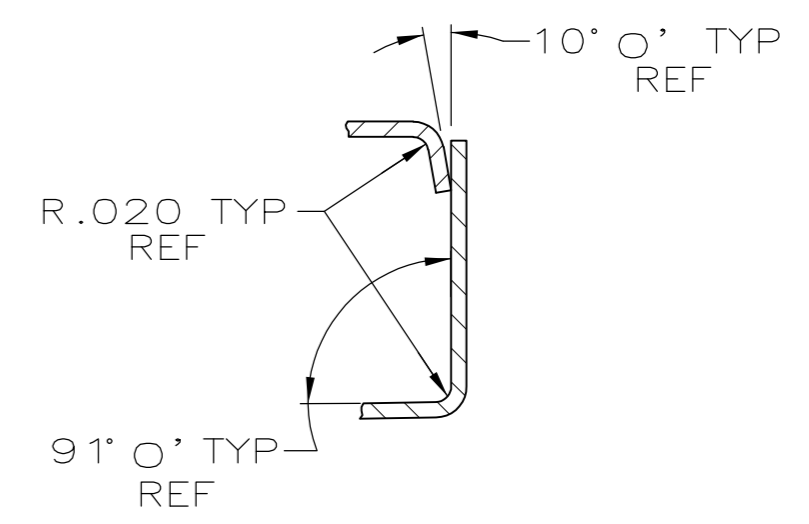


THIS DRAWING IS UNPUBLISHED. RELEASED FOR PUBLICATION
 © COPYRIGHT - By - ALL RIGHTS RESERVED.

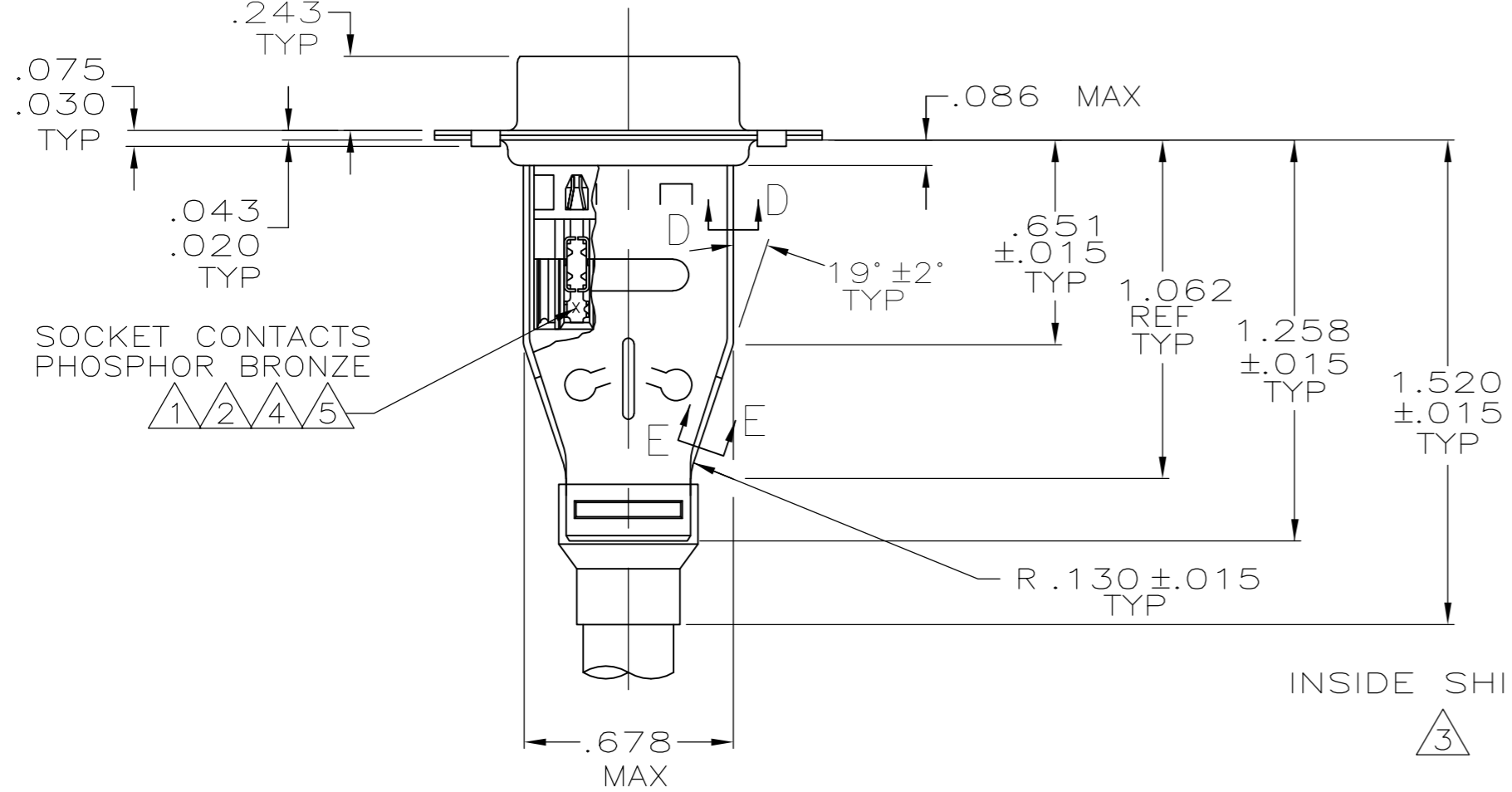
LOC	DIST	REVISIONS					
		P	LTR	DESCRIPTION	DATE	DWN	APVD
GP	00	G5		REVISED PER ECO-11-004835	11MAR11	RK	HMR



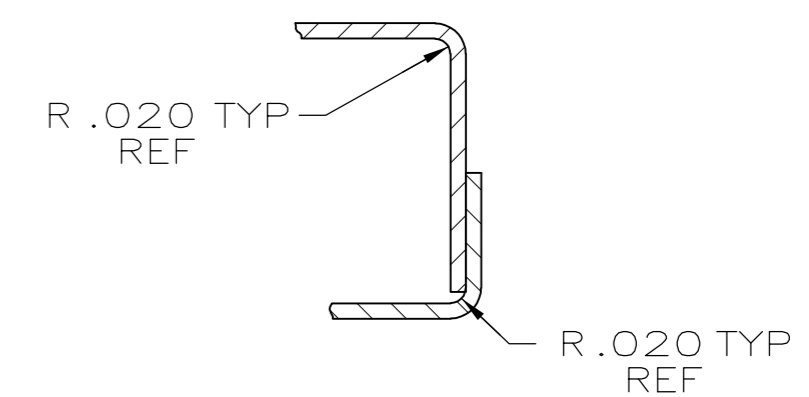
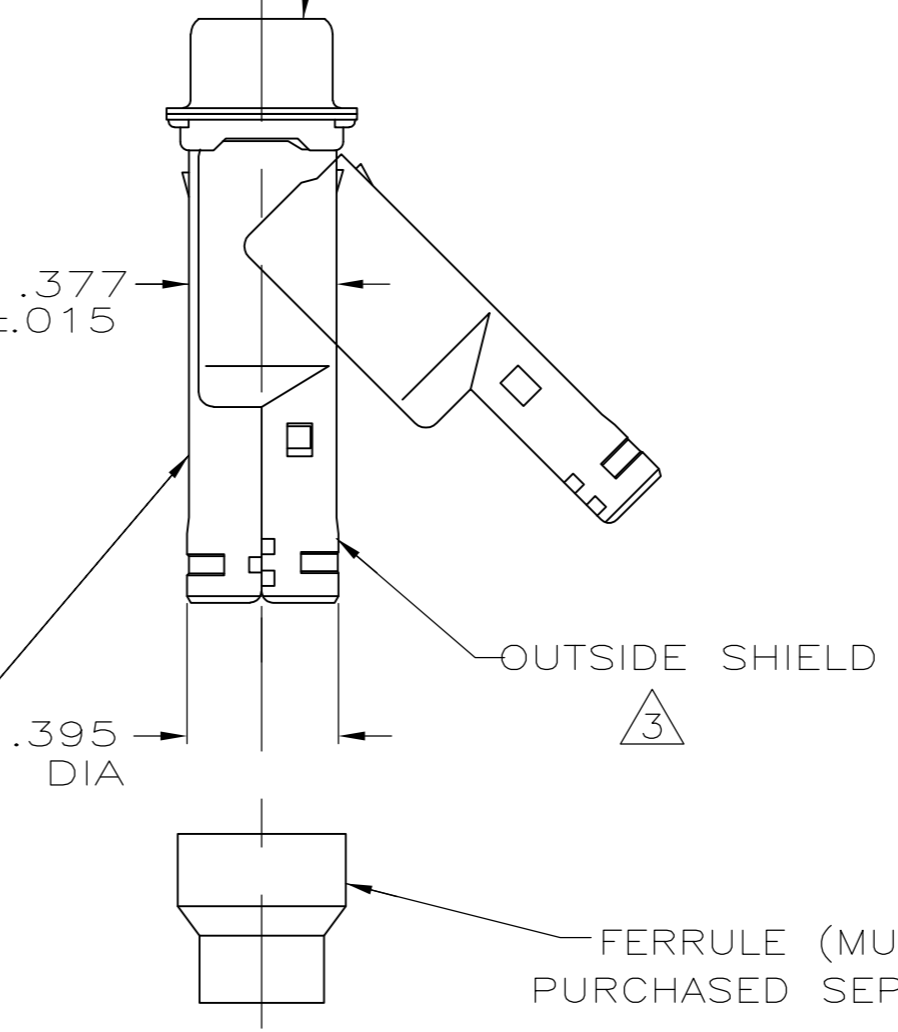
RECEPTACLE CONNECTOR ¹
 INSERT:BLACK THERMOPLASTIC
 94 V-0 RATED
 SHELL:STEEL PER ASTM A109
 BRIGHT TIN PLATED
 PER MIL-T-10727



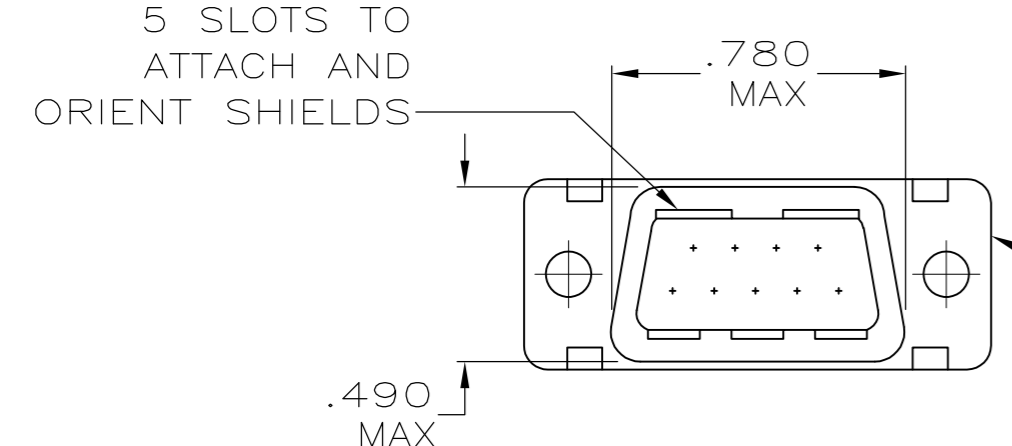
SECTION D-D



SOCKET CONTACTS
 PHOSPHOR BRONZE
 1 2 4 5



SECTION E-E



- ¹ RECEPTACLE CONNECTOR FULLY LOADED WITH CONTACTS. ALL OTHER PARTS SHIPPED UNASSEMBLED (EACH PART INDIVIDUALLY BULK PACKED).
- ² NUMBER ON CONTACT INDICATES WIRE RANGE.
- ³ SHIELDS: MATERIAL-.020 THICK STEEL, TIN PLATED.
- ⁴ CONTACTS PLATED .000030 GOLD ON MATING END FOR .100 MIN LENGTH. .000100-.000200 BRIGHT TIN OR BRIGHT TIN-LEAD IN WIRE TERMINATION AREA. .000050 NICKEL UNDERPLATE ON ENTIRE CONTACT.
- ⁵ CONTACTS PLATED WITH GOLD FLASH ON MATING END FOR .100 MIN LENGTH. .000100-.000200 BRIGHT TIN OR BRIGHT TIN-LEAD IN WIRE TERMINATION AREA. .000030 NICKEL UNDERPLATE ON ENTIRE CONTACT.
- ⁶ RAISED CAVITY IDENTIFICATION AND AMP TRADEMARK.
- ⁷ CONTACTS PLATED .000030 GOLD ON MATING END FOR .100 MIN LENGTH. .000100-.000200 MATTE TIN IN WIRE TERMINATION AREA. .000050 NICKEL UNDERPLATE ON ENTIRE CONTACT.
- ⁸ CONTACTS PLATED WITH GOLD FLASH ON MATING END FOR .100 MIN LENGTH. .000100-.000200 MATTE TIN IN WIRE TERMINATION AREA. .000030 MIN NICKEL UNDERPLATE ON ENTIRE CONTACT.
- ⁹ OBSOLETE PARTS: OBSOLETE CIS STREAMLINING PER D.RENAUD/D.SINISI

CALL OUT	STATUS	QUANTITY	WIRE RANGE	PART NUMBER
⁸		2	#22-26	747516-9
⁹	OBSOLETE	3	#20-22	747516-8
⁷		2	#22-26	747516-7
⁵	OBSOLETE	3	#20-22	747516-6
⁵	SUPERSEDED	2	#22-26	747516-5
⁴	OBSOLETE	1	#26-30	747516-4
⁴	SUPERSEDED	3	#20-22	747516-3
⁴	SUPERSEDED	2	#22-26	747516-2
⁴	SUPERSEDED	1	#26-30	747516-1
	CONTACT FINISH	²	WIRE RANGE	PART NUMBER

SUPERSEDED BY 747943-1

THIS DRAWING IS A CONTROLLED DOCUMENT.

DIMENSIONS: INCHES	TOLERANCES UNLESS OTHERWISE SPECIFIED:	DWN L. VARELA - DOCK5 11-16-04	CHK J. GERACE 11-16-04	APVD M. WALMSLEY 11-16-04	NAME
	0 PLC ± -	TE Connectivity			KIT, RCPT, SHIELDING HARDWARE, SIZE 1, 9 POSN, HDE-20, AMPLIMITE
	1 PLC ± -	108-40030	SIZE A2		
	2 PLC ± -	114-40002	CAGE CODE 00779	DRAWING NO C=747516	RESTRICTED TO
	3 PLC ± .005		SCALE 2:1	SHEET 1 of 1	REV G5
	4 PLC ± -		CUSTOMER DRAWING		
	ANGLES ± 0° 30'				
MATERIAL SEE CALL OUT	FINISH SEE CALL OUT				