

TYCO ELECTRONICS RESERVES THE RIGHT TO AMEND THIS DRAWING AT ANY TIME.  
 USERS SHOULD EVALUATE THE SUITABILITY OF THE PRODUCT FOR THEIR APPLICATION.

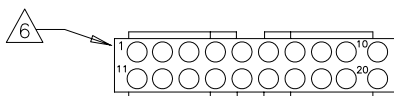
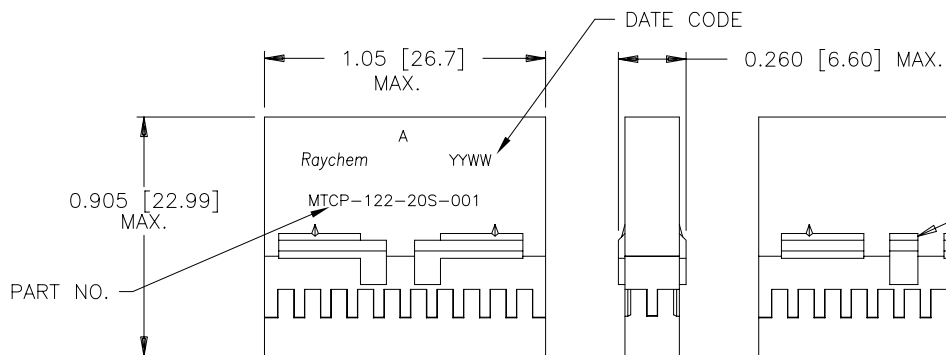
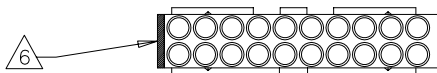
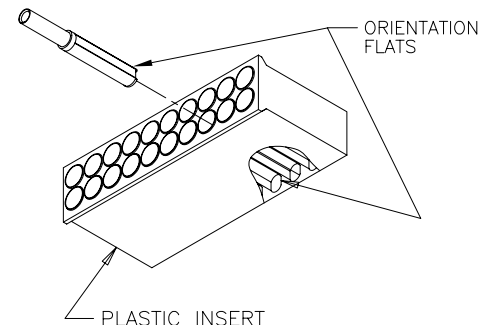
REVISIONS			
LTR	DESCRIPTION	DATE	APPROVED
A	INITIAL RELEASE PER DCR# T-32066	OCTOBER/1/03	M.HIGGY
B	REVISE PER DCR# C050494	JUNE/20/05	M.HIGGY

NOTES:

- THIS INSERT IS DESIGNED FOR USE IN TYCO/RAYCHEM CONNECTOR HOUSING MTC100-JH1-XXX. (SEE TYCO/RAYCHEM INFORMATION DRAWING D-659-0097 AND HOUSING SPECIFICATION CONTROL DRAWINGS FOR FURTHER DETAILS).
- PART DESCRIBED HEREON IS SUPPLIED AS SHOWN. REFER TO TYCO/RAYCHEM INFORMATION DRAWING D-659-0097 FOR CRIMP TOOLS OR ADDITIONAL CONTACTS, SEALING PLUGS OR TOOLS.
- GROMMET DESIGNED TO SEAL ON WIRES HAVING AN INSULATION DIAMETER OF 0.030 TO 0.065.
- PERFORMANCE:  
THIS PRODUCT IS DESIGNED TO MEET THE APPLICABLE REQUIREMENTS OF RAYCHEM SPECIFICATION C-6115.
- MATERIALS:

- |  |                                      |
|--|--------------------------------------|
| A) PLASTIC INSERT                                  | HIGH GRADE POLYARYLENE THERMOPLASTIC |
| B) GROMMET   | FLUOROSILICONE PER MIL-R-25988       |
| C) RETENTION CLIPS (20)<br>(INSIDE PLASTIC INSERT) | BERYLLIUM COPPER 172 PER ASTM B194   |

△ NUMBER ONE (1) AND ELEVEN (11) CAVITIES ARE MARKED IN CONTRASTING COLOR.  
 PART NUMBER, RAYCHEM, A AND DATE CODE ARE STAMPED APPROXIMATELY AS SHOWN.



If this document is printed it becomes uncontrolled.  
 Check for the latest revision.

SPECIFICATION CONTROL DRAWING

UNLESS OTHERWISE SPECIFIED DIMENSIONS ARE IN INCHES. METRIC DIMENSIONS ARE IN BRACKETS.	DRAWN	ZS.ORBAN	SEP/29/03		TYCO ELECTRONICS 300 Constitution Drive Menlo Park, CA. 94025 USA		
	CHECKED						
	DECIMALS	.XXX ±	mm}	APPROVED	M.HIGGY	SEP/29/03	TITLE 1 INCH, INSERT, SOCKET, 20 CAVITY, SIZE 22-20 REMOVABLE CONTACT SPECIAL MARKING-MTC100 SERIES
	ANGLES	.X ±					
WEIGHT	0.0067 lbs [3.039 g] MAX	THIRD ANGLE PROJECTION		SIZE A	CODE IDENT. NO. 06090	DWG. NO. MTCP-122-20S-001	REV B
				DO NOT SCALE THIS DRAWING		SHEET 1 OF 1	

DWG NO. MTCP-122-20S-001 SHEET 1