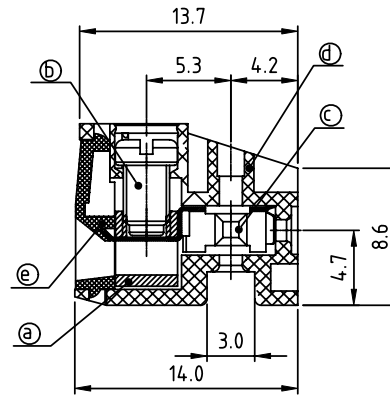
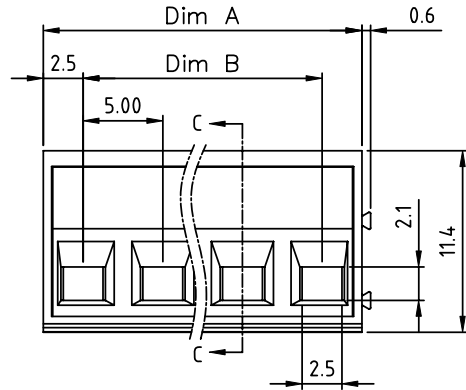
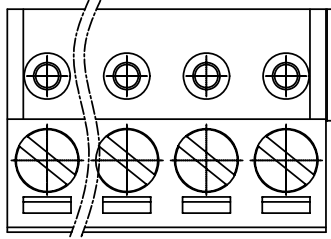


PRODUCT NUMBER	PITCH
TTxx01x100J0G	5.00 mm



Section C-C

Material

- Item ① Clamp: Brass(CuZn) Ni plated
- Item ② Terminal screw: Steel Zinc plating "-" slot type
- Item ③ Female contact: PhBz, Au plated.
- Item ④ Terminal (housing): Thermoplastic (UL94V-0)
- Item ⑤ Terminal (cover): Thermoplastic (UL94V-0)

Electrical cULus

- Voltage rating: 300VAC
- Current rating: 10A
- Wire range:
- Solid wire(AWG): 16-22
- Stranded wire(AWG): 16-22
- Torque(Lb-In): 1.7
- Screw: M3
- Wire strip length: 5-6mm
- Withstanding Voltage: 1.6KV
- Operating temperature: -40°C to +115°C
- Safety Approval: cULus

PART NO.: TT xx 01 x 1 00J0 G

N = Number of poles
Dim A=Nx5.0
Dim B=(N-1)x5.0

poles	Tolerance
4-8p	±0.15
9-12p	±0.20
13-18p	±0.30
19-24p	±0.40

Solid block	No. of poles	Body Color	RoHS compliant (lead<4%) In copper Alloy
0	2	Black (RAL9005)	
04	4	Red (RAL3001/D)	
05	5	Orange(RAL2011/P)	
...	...	4 Yellow(RAL1018/A)	
24	24	5 Green(RAL6018/T)	
		6 Blue (RAL5015/A)	
		8 Grey(RAL7035/D)	
		9 White(RAL1102)	
		C Green(RAL6018/U)	

mat'l. code		surface ASME Y14.5 ✓	tolerance ASME Y14.5	projection MM	product family TERMINAL BLOCK
ltr	ecn no	dr	date	angles X±1°	title TERMINAL BLOCK PLUGGABLE,180D WIRE INLET,SOLID BLOCK
				tolerances unless otherwise specified X.X±0.5 X.XX±0.3 X.XXX±0.1	scale
		dr	EVIN ZHONG	041614	dwg no TTxx01x100J0G
		enr	EVIN ZHONG	041614	sheet 1 of 1 size A4
		chr	HANKE FENG	041614	type CUSTOMER Drawing
		appd	SHI JUN	041614	
sheet index	revision sheet	A	1		