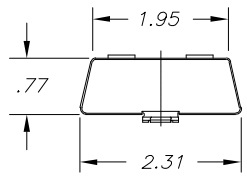
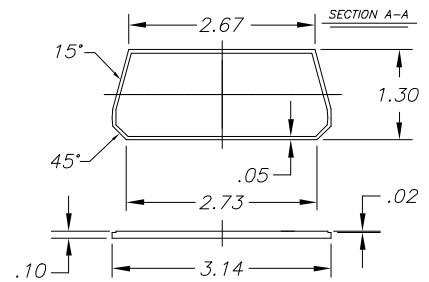
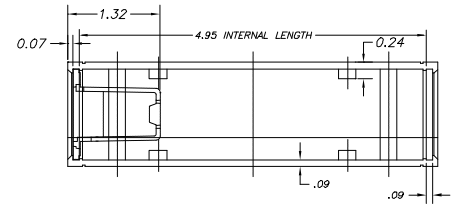
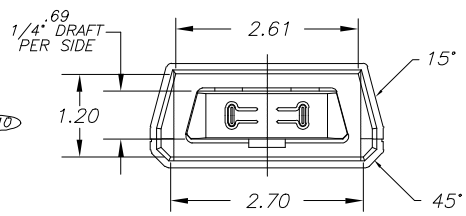
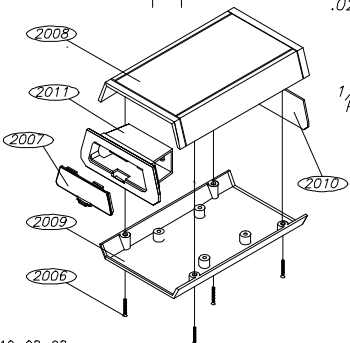
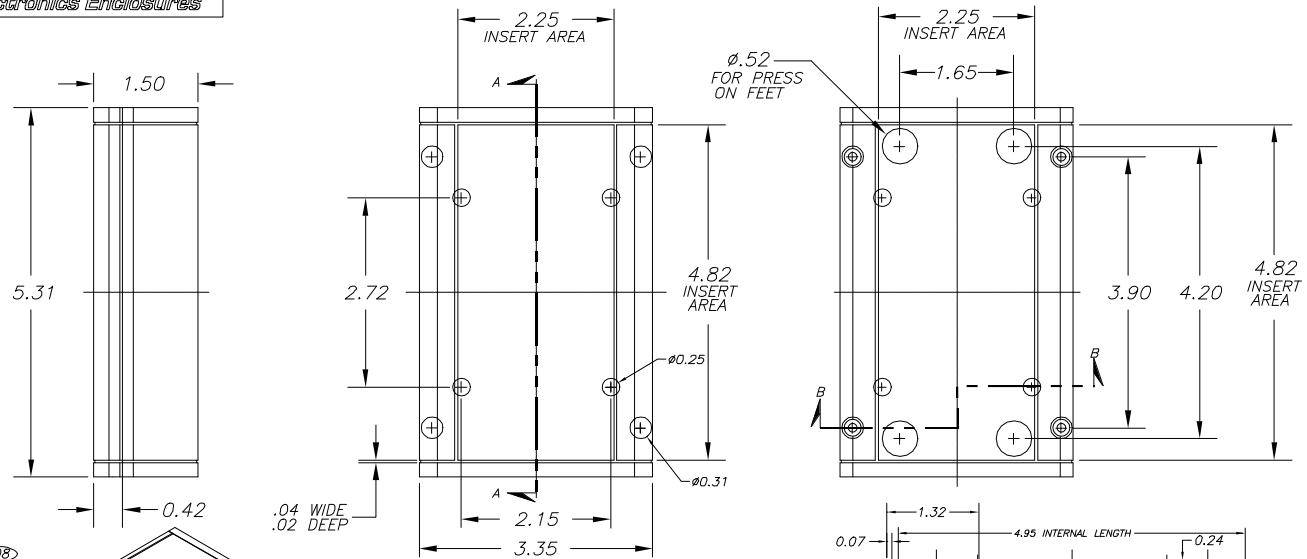


SERPAC A-27,9V

Electronics Enclosures

NOTES:
 1. WHEN MACHINE OR I PLATES MODIFICATIONS ARE REQUIRED, USE THE CENTER OF THE BOX TO DIMENSION.



10-08-98 ALL DIMENSIONS ± .010

PART NO.	DESCRIPTION	PART NO.	ACCESSORIES
2008	PLASTIC TOP	51	PRESS ON FEET
2011	9 VOLT BATTERY ACCESS PANEL	2010IR	INFARED PANELS
2007	PLASTIC BATTERY COVER	2010CL	CLEAR & TRANSPARENT RED PANELS
2009	PLASTIC BOTTOM	2010DB9	9 PIN CONNECTOR
6006	SCREW	2010DB25	25 PIN CONNECTOR
2010	PLASTIC END PANEL		