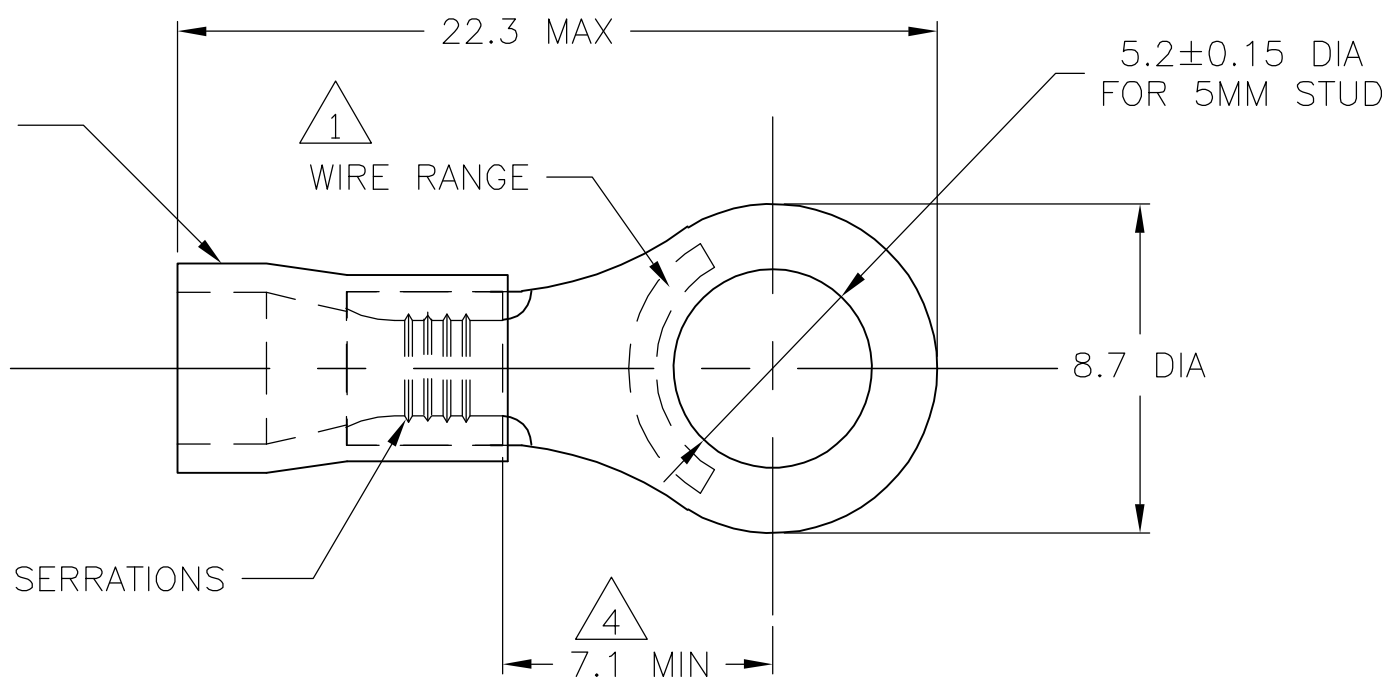


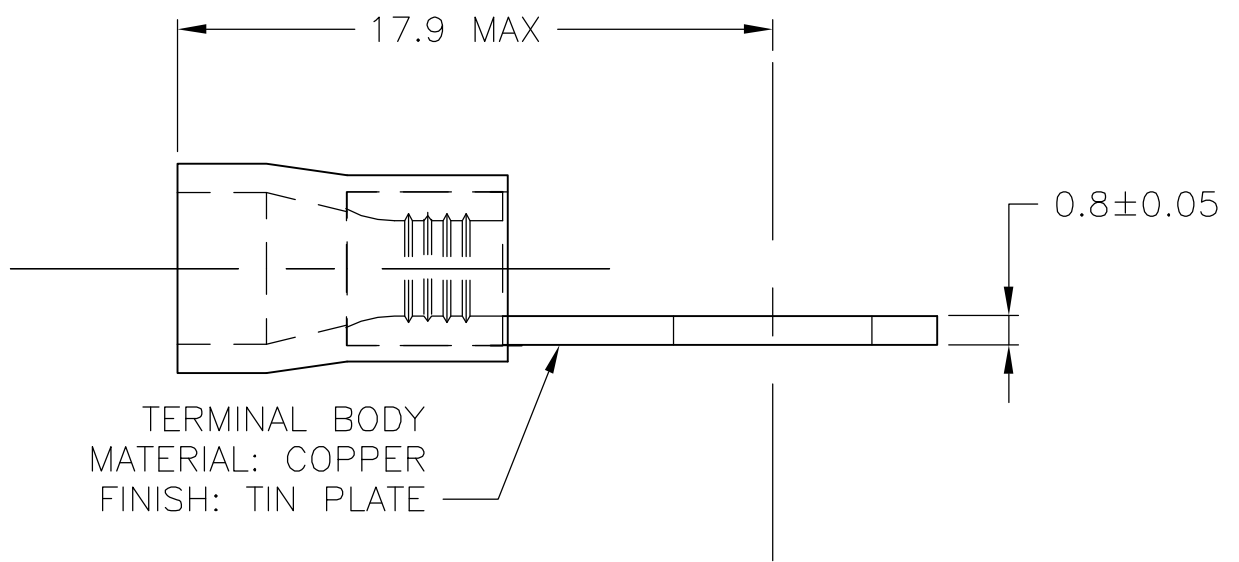
THIS DRAWING IS UNPUBLISHED. RELEASED FOR PUBLICATION  
 © COPYRIGHT BY TYCO ELECTRONICS CORPORATION. ALL RIGHTS RESERVED.

LOC	DIST	REVISIONS					
G	02	P	LTR	DESCRIPTION	DATE	DWN	APVD
		D		REV PER ECR 05-009599	06DEC05	JR	TM

INSULATION SLEEVE  
 MATERIAL: PVC  
 COLOR: BLUE



- 1 WIRE SIZE IS 16-14 AWG
- 2 WIRE INSULATION DIA: 2.7-3.6
- 3 MATERIAL THICKNESS IS 0.80±0.05
- 4 DIMENSION APPLIES FROM EDGE OF METAL WIRE BARREL TO CENTER OF STUD HOLE.
- 5 600 VOLT MAX
- 6 CIRCULAR MIL AREA, 2,050 - 5,180 (1.04mm<sup>2</sup>-2.62mm<sup>2</sup>)



TERMINAL BODY  
 MATERIAL: COPPER  
 FINISH: TIN PLATE

TAPED MOUNTED	STANDARD	4000	2-130098-1
PLASTIC BAG	STANDARD	1000	130098
PACKAGING	LABELLING	QTY	PART NO

THIS DRAWING IS A CONTROLLED DOCUMENT.		DWN jr_ruth 06DEC05	Tyco Electronics Corporation Harrisburg, PA 17105-3608	
DIMENSIONS: mm		CHK T MICHIELUTTI 06DEC05		
TOLERANCES UNLESS OTHERWISE SPECIFIED:		APVD T MICHIELUTTI 06DEC05	NAME	
0 PLC ± - 1 PLC ± 0.5 2 PLC ± - 3 PLC ± - 4 PLC ± - ANGLES ± 1°		PRODUCT SPEC	TERMINAL, RING TONGUE, PLASTI-GRIP,	
MATERIAL		APPLICATION SPEC	SIZE	RESTRICTED TO
		WEIGHT	A3 00779	
		CUSTOMER DRAWING	CAGE CODE	DRAWING NO
			G-130098	
		SCALE	SHEET	REV
		5:1	1 OF 1	D