

THIS DRAWING IS UNPUBLISHED. RELEASED FOR PUBLICATION
 © COPYRIGHT BY TYCO ELECTRONICS CORPORATION. ALL RIGHTS RESERVED.

Loc	DIST	REVISIONS					
FT	0	P	LTR	DESCRIPTION	DATE	DWN	APVD
		1	-		3/2/07	SS	CR

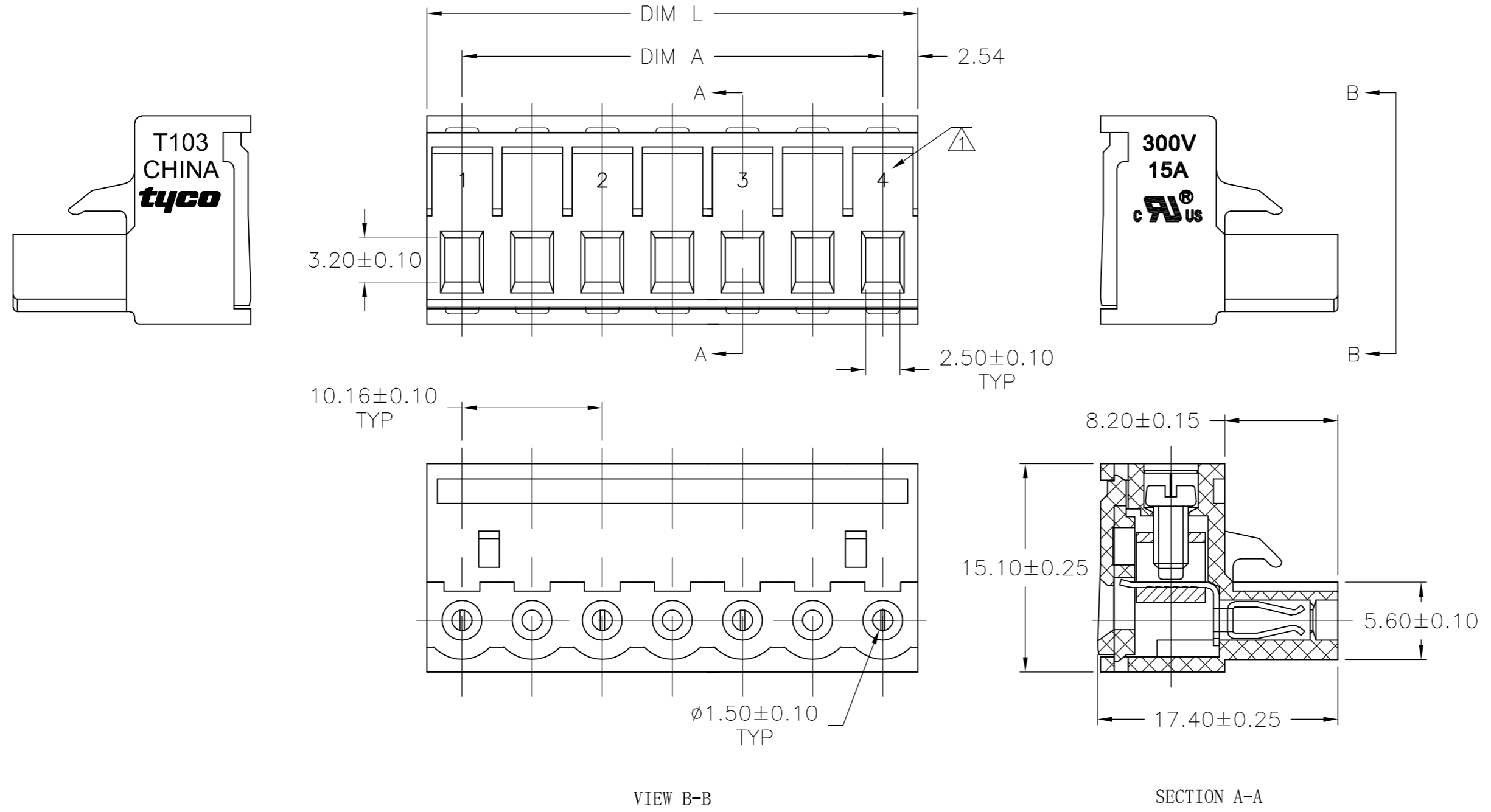
MATERIALS:
 HOUSING: PA66, UL94V-0, BLACK.
 SCREWS; M2.5, STEEL, ZINC CHROMATE.
 CAGE: BRASS, NICKEL PLATE.
 CLAMP: PHOS BRONZE, NICKEL PLATE.

MECHANICAL:
 TIGHTENING TORQUE: 3.5 IN-LB MAX.

ELECTRICAL:
 CURRENT: 15A
 VOLTAGE: 300V
 WITHSTAND VOLTAGE: AC1500V/ 1MIN
 INSULATION RESISTANCE: 5000Mohm/1000V
 WIRE RANGE: 12-28 AWG

ENVIRONMENTAL:
 OPERATING TEMP.: -40° TO +105°C
 MAX SOLDERING: +250°C, 5 SECONDS

⚠ MARKED WITH WHITE PERMANENT INK.



THIS PRINT IS
PRELIMINARY
 PRIOR TO CUSTOMER ORDER
 CONTACT PRODUCT ENGINEERING
 BEFORE USING THIS PRINT

SEE FIGURE	35.56±0.30	30.48±0.30	4	1-1776988-4
NOTES	DIM L	DIM A	NO OF POSN	PART NUMBER

THIS DRAWING IS A CONTROLLED DOCUMENT.		DWN S SCHLEGEL 02MAR2007	Tyco Electronics Corporation Harrisburg, PA 17105-3608																						
DIMENSIONS: mm		CHK C RICHARD 3/2/07	PRELIMINARY TERMINAL BLOCK, R/A PLUG, 10.16mm																						
TOLERANCES UNLESS OTHERWISE SPECIFIED:		APVD C RICHARD 3/2/07																							
<table border="0"> <tr><td>0 PLC</td><td>±</td><td>-</td></tr> <tr><td>1 PLC</td><td>±</td><td>-</td></tr> <tr><td>2 PLC</td><td>±</td><td>-</td></tr> <tr><td>3 PLC</td><td>±</td><td>-</td></tr> <tr><td>4 PLC</td><td>±</td><td>-</td></tr> <tr><td>ANGLES</td><td>±</td><td>1°</td></tr> <tr><td>FINISH</td><td>-</td><td>-</td></tr> </table>		0 PLC	±	-	1 PLC	±	-	2 PLC	±	-	3 PLC	±	-	4 PLC	±	-	ANGLES	±	1°	FINISH	-	-	PRODUCT SPEC -	SIZE A2	CAGE CODE 00779
0 PLC	±	-																							
1 PLC	±	-																							
2 PLC	±	-																							
3 PLC	±	-																							
4 PLC	±	-																							
ANGLES	±	1°																							
FINISH	-	-																							
MATERIAL		APVD C RICHARD 3/2/07	DRAWING NO C=1776988	RESTRICTED TO -																					
CUSTOMER DRAWING		WEIGHT -	SCALE NTS	SHEET 1 of 1																					
		REV 1																							

1776988