

SUMMARY

Wires

Low	0
High	0
Coax	0
Triax	0
Quad	0
Fiber	0
Fluidic	0



Image is for illustrative purpose only

Download

[Request a quote](#)

[Catalog](#)

Series	SP
Termination type	
IP rating	50
Cable Ø	0.00 - 0.00 mm
Matching parts	SAN.M04.GLA.6A
Status	
Alternative part	

TECHNICAL DETAILS

Mechanics

Shell Style/Model	SL_.SP*: Fixed socket, key (N) or keys (P, S and T),blue, with nut
Keying	3 key (alpha=30, plug: male contacts, receptacle: female contacts)
Housing Material	
Cable Fixing	∅ 0 - 0 mm
Variant	A : Blue front nut

Performance

Configuration	
Insulator	
Rated Current	11.5 Amps

Specifications

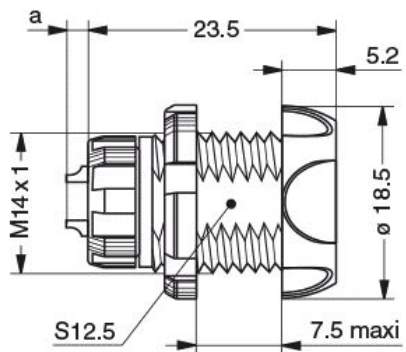
Test voltage (kV rms) Contact-contact:	1.60
Air clearance min. (mm) or Creepage distance min. (mm):	0.95

Others

IP Rating:	50
------------	----

DRAWINGS

Draws



Dimensions

	B	N	a	e
mm.	18.5	23.5	2.2	M14x1
in.	0,73	0,93	0,09	

RECOMMENDED BY LEMO

Tools

None

Cables