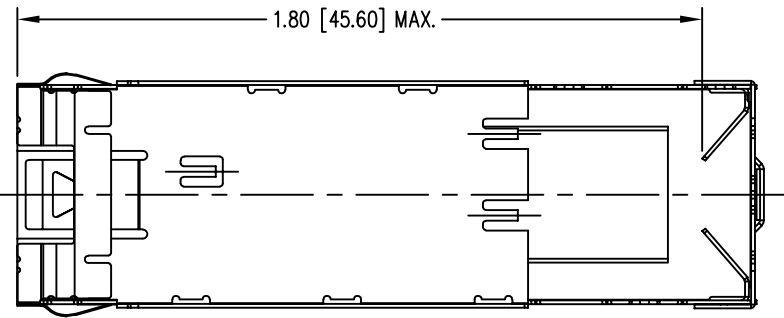
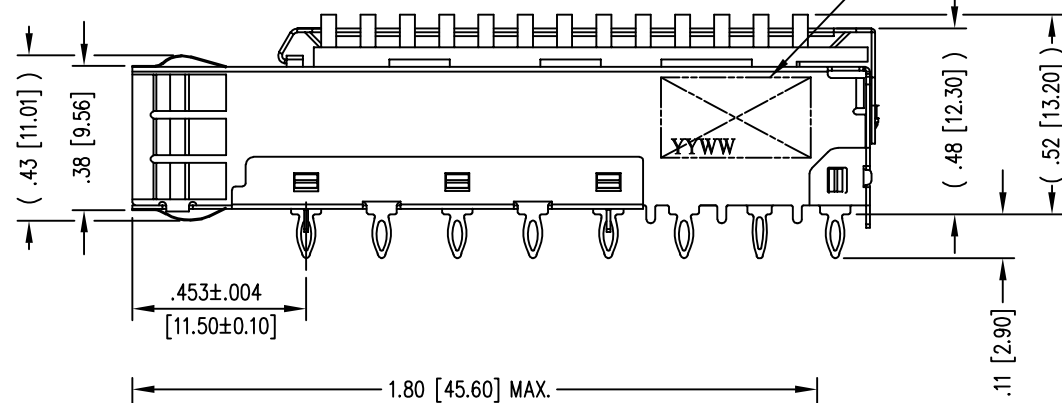
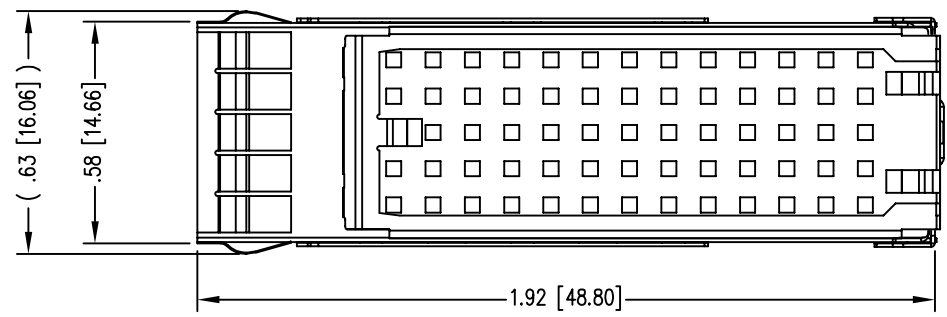
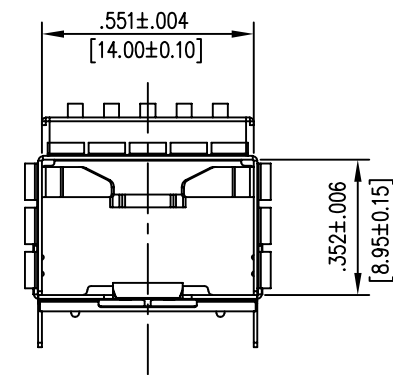
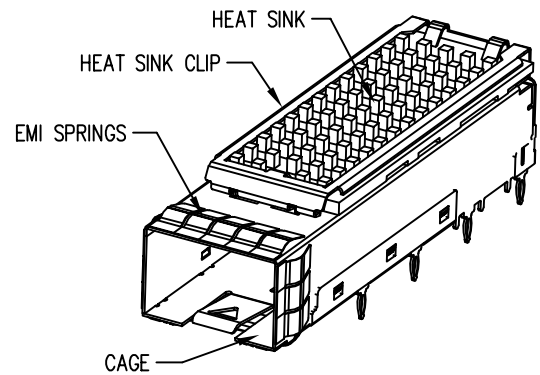


| DATE | REV | ECN | APP'D. BY |
|---------|-----|-------|-----------|
| 8-11-17 | A2 | 11061 | TRM |
| 8-16-17 | A3 | 11066 | TRM |
| | | | |
| | | | |



LOGO, PART NUMBER AND DATE CODE IN THIS LOCATION
DATE CODE IS YEAR/WEEK
YEAR (2 DIGITS) & WEEK (2 DIGETS)
EX: 1730

B

B

NOTES:

- MATERIALS:
CAGE: COPPER ALLOY
EMI SPRINGS: COPPER ALLOY
HEAT SINK: ALUMINUM
HEAT SINK CLIP: STAINLESS STEEL
- PLATING:
CAGE: NICKEL
EMI SPRINGS: NICKEL
HEAT SINK: NICKEL
HEAT SINK CLIP: N/A
- TEMPERATURE:
OPERATIONAL: -40°C~+85°C
STORAGE: -55°C~+105°C
- FOR PRODUCT SPECIFICATIONS SEE PR043-01.
- MATES WITH SFP MSA COMPLIANT TRANSCEIVERS.

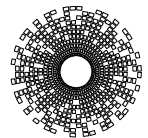
A

A

| |
|--------------|
| SS-79100-002 |
| PART NUMBER |



THIRD ANGLE PROJECTION
DRAWING IS SUBJECT TO CHANGE WITHOUT NOTICE
UNLESS OTHERWISE SPECIFIED DIMENSIONS INCHES [METRIC]
TOLERANCES ARE:
ANGLES ± 2°
1 PLC. DEC. ±.010" [±0.25]
2 PLC. DEC. ±.008" [±0.20]
3 PLC. DEC. ±.004" [±0.10]
DO NOT SCALE DRAWING
SHEET NO. 1 OF 2



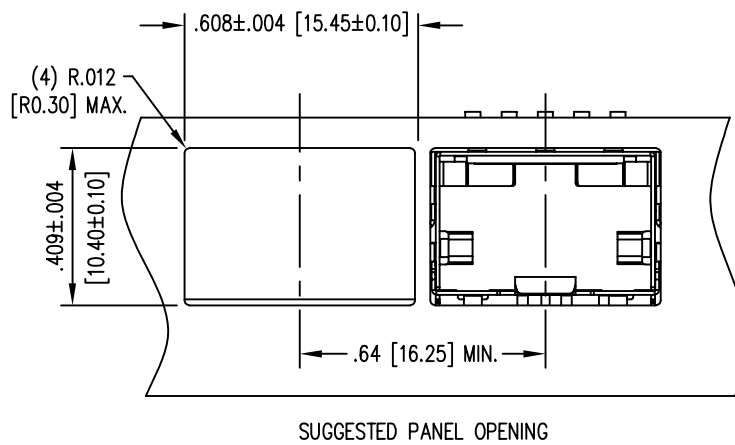
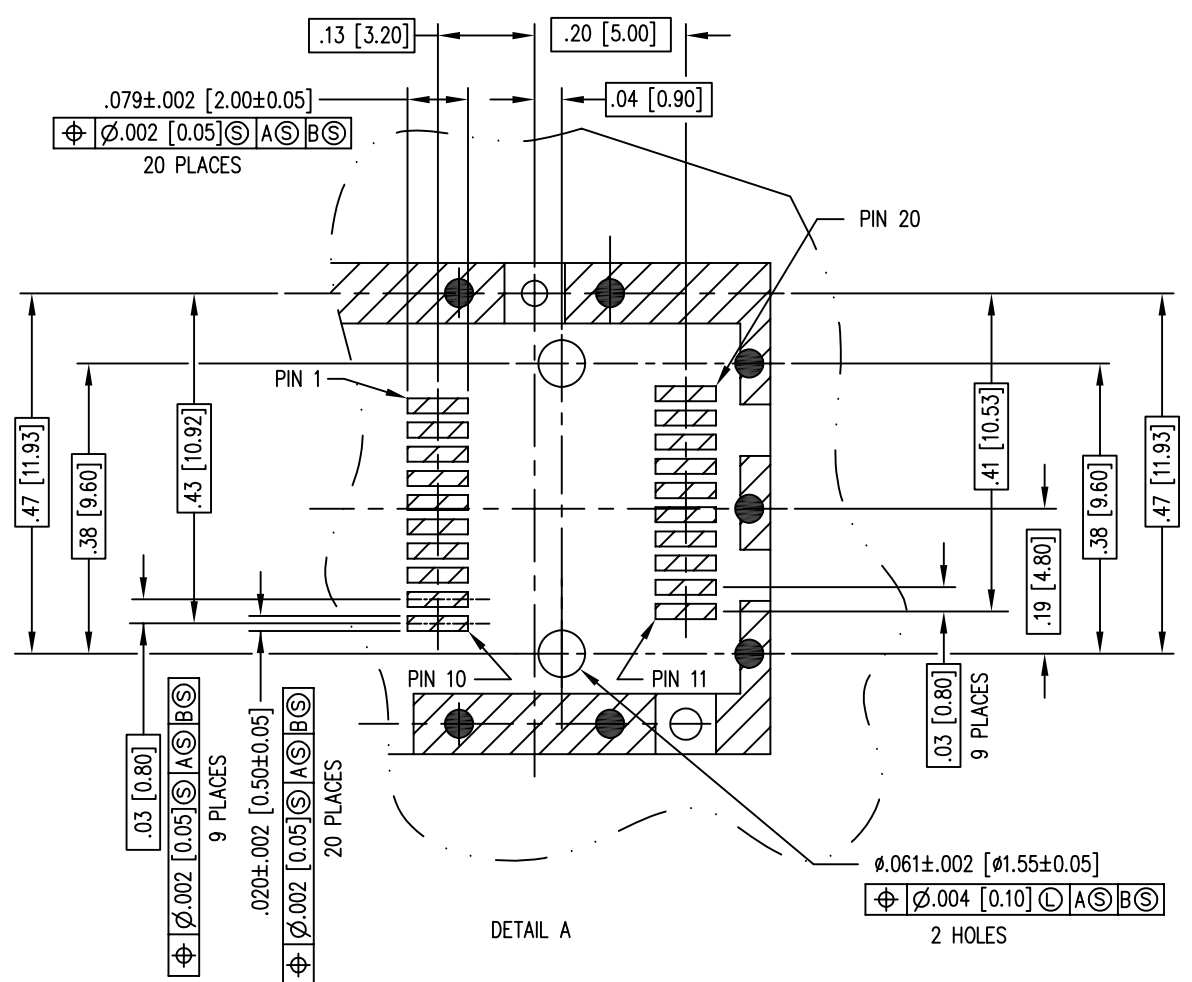
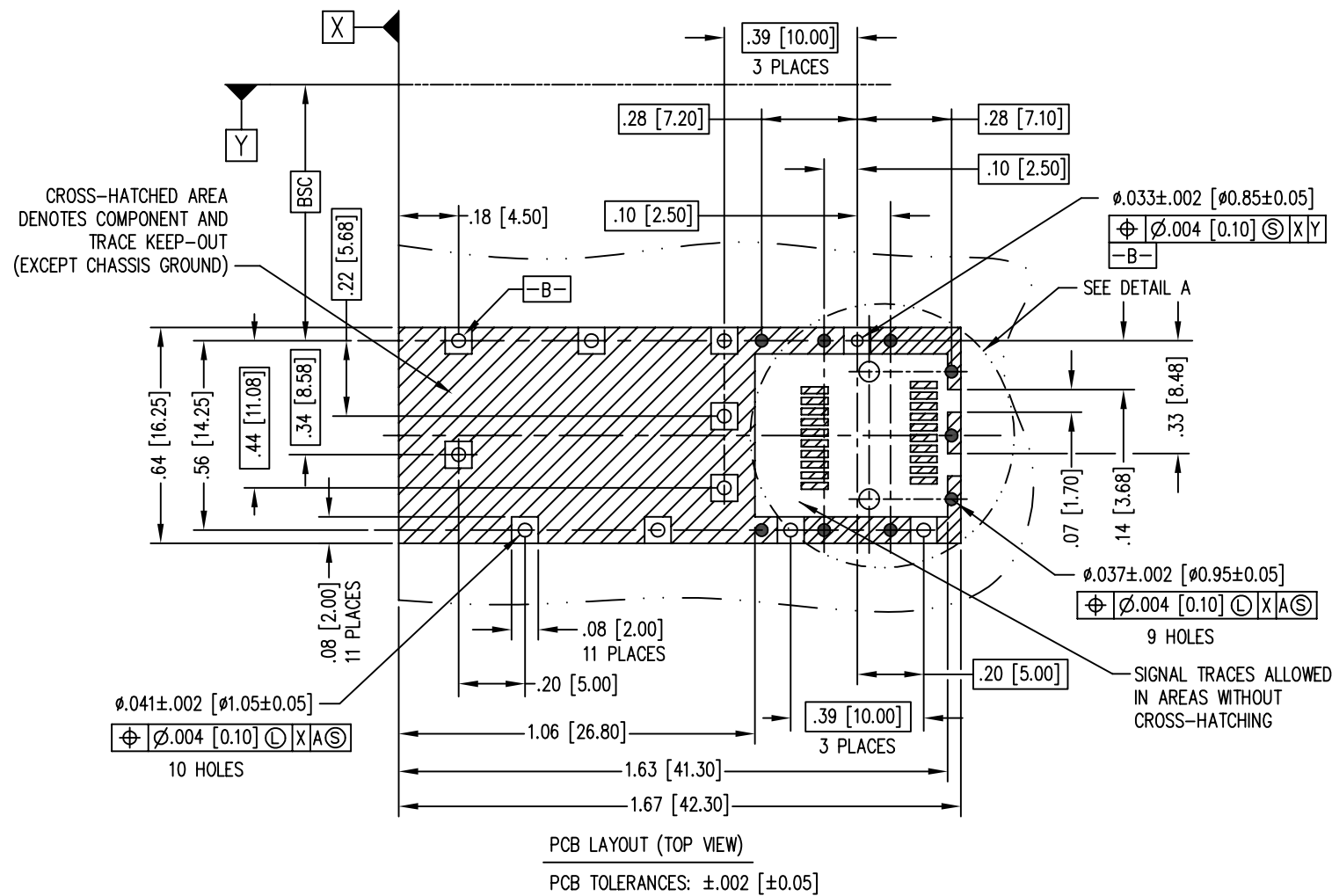
stewart
CONNECTOR
a bel group

1118 Susquehanna Trail South
Glen Rock, PA 17327-9199
(717) 235-7512
<http://www.stewartconnector.com>

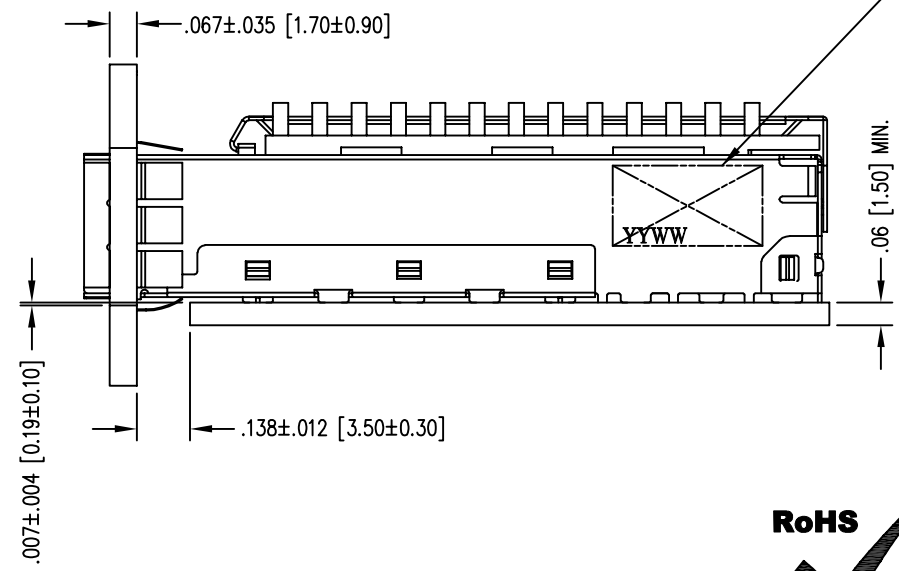
TITLE: SFP+ 1X1 CAGE (WITH HEAT SINK), PRESS FIT

THIS DRAWING AND THE SUBJECT MATTER SHOWN THEREON ARE CONFIDENTIAL AND THE PROPRIETARY PROPERTY OF STEWART CONNECTOR AND SHALL NOT BE REPRODUCED, COPIED, OR USED IN ANY MANNER WITHOUT PRIOR WRITTEN CONSENT OF STEWART CONNECTOR. ONE OR MORE U.S. PATENTS MAY APPLY TO THIS PRODUCT. FOR DETAILS, PLEASE VISIT: [HTTP://BELFUSE.COM/STEWART/STEWART_PATENTS/](http://BELFUSE.COM/STEWART/STEWART_PATENTS/)

| | | | |
|----------|----------|------|---------|
| DRN BY: | TRM | DATE | 6-5-17 |
| APPD BY: | DHG | DATE | 6-30-17 |
| DWG NO. | CT790002 | REV. | A3 |



THE SUGGESTED PANEL OPENING IS INTENDED TO GIVE USERS THE ABILITY TO HAVE REASONABLE CAGE/PANEL CLEARANCES, YET MAINTAIN GROUNDING CAPABILITY. THESE VARIABLES CAN BE ADJUSTED IN EITHER DIRECTION BUT MAY CARRY SOME CONSEQUENCES IN THE FORM OF LOWER MATING FORCES OR TIGHTER ASSEMBLY TOLERANCES.



LOGO, PART NUMBER AND DATE CODE IN THIS LOCATION DATE CODE IS YEAR/WEEK YEAR (2 DIGITS) & WEEK (2 DIGITS) EX: 1730



| | | | | |
|---|--|--|---|--|
| THIRD ANGLE PROJECTION | | <p>stewart CONNECTOR a bel group</p> | 1118 Susquehanna Trail South Glen Rock, PA 17327-9199 (717) 235-7512 http://www.stewartconnector.com | |
| DRAWING IS SUBJECT TO CHANGE WITHOUT NOTICE | | | TITLE: SFP+ 1X1 CAGE (WITH HEAT SINK), PRESS FIT | |
| UNLESS OTHERWISE SPECIFIED DIMENSIONS INCHES [METRIC] TOLERANCES ARE: | | DRN BY: TRM DATE: 6-5-17 | | |
| ANGLES ± 2° | | APPD BY: DHG DATE: 6-30-17 | | |
| 1 PLC. DEC. ±.010" [±0.25] | | DWG NO. CT790002 REV. A3 | | |
| 2 PLC. DEC. ±.008" [±0.20] | | | | |
| 3 PLC. DEC. ±.004" [±0.10] | | | | |
| DO NOT SCALE DRAWING | | | | |
| SHEET NO. 2 OF 2 | | THIS DRAWING AND THE SUBJECT MATTER SHOWN THEREON ARE CONFIDENTIAL AND THE PROPRIETARY PROPERTY OF STEWART CONNECTOR AND SHALL NOT BE REPRODUCED, COPIED, OR USED IN ANY MANNER WITHOUT PRIOR WRITTEN CONSENT OF STEWART CONNECTOR. ONE OR MORE U.S. PATENTS MAY APPLY TO THIS PRODUCT. FOR DETAILS, PLEASE VISIT: HTTP://BELFUSE.COM/STEWART/STEWART_PATENTS/ | | |