



## **Pan and Tilt Kit (Black Anodized) (no servos)**

---

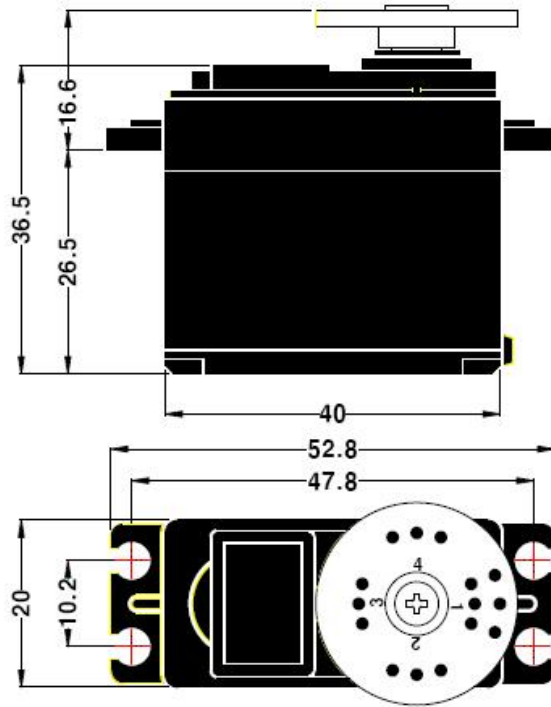
SKU:FIT0004

### INTRODUCTION

Pan and Tilt assembly for horizontal surface mount. Made using two DFRobot servo brackets. Perfect for your small remote piloted robot! Includes hardware.

It supports

- Hitec HS422 Servo
- Hitec HS311 Standard Servo
- DSS-P05 Standard Servo
- DF Metal Geared 15Kg Standard Servo 180°



## SHIPPING LIST

- Pan and Tilt Kit (Black Anodized) x1
- Screws package



<https://www.dfrobot.com/product-340.html> 8-22-18