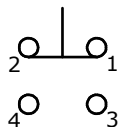


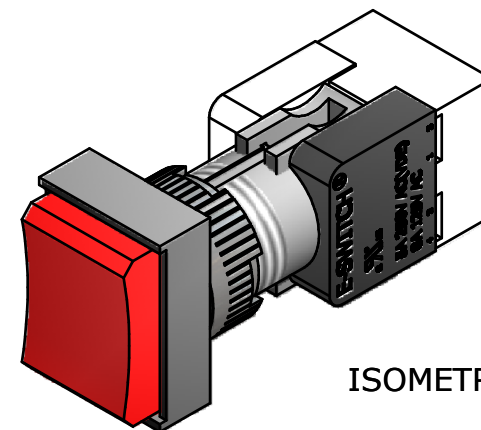
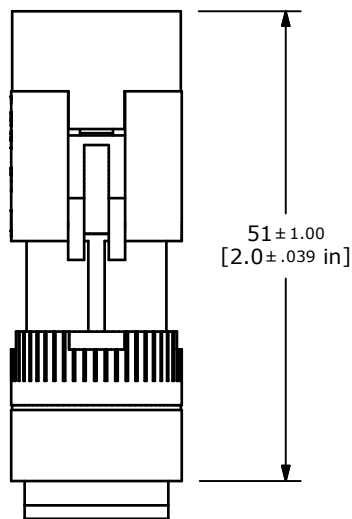
PANEL MOUNTING SPECIFICATIONS



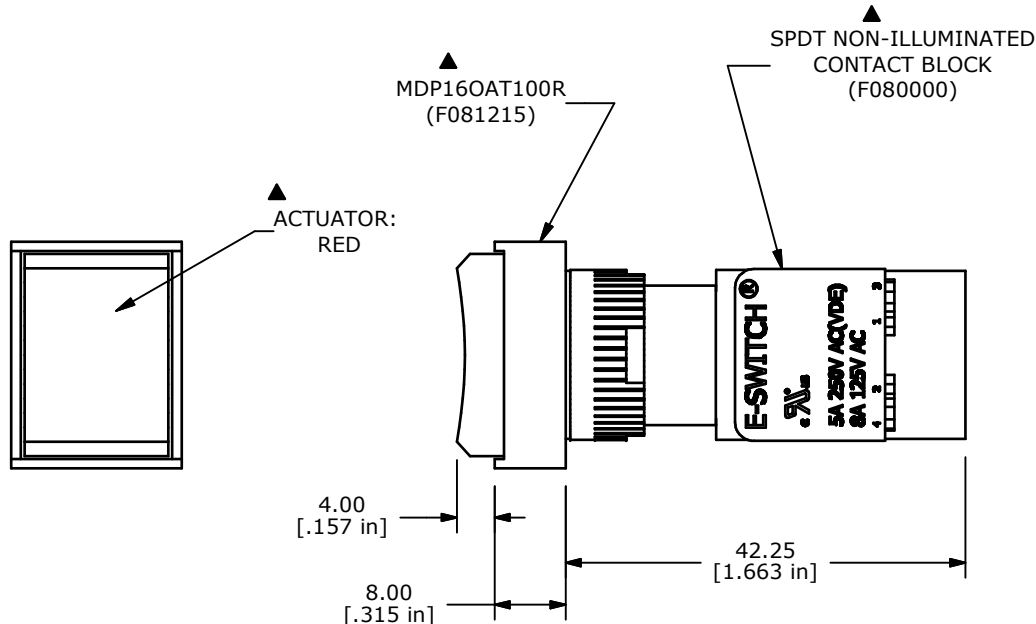
CIRCUIT: SPDT

NOTE:

1. ALL DIMENSIONS IN MM [INCH]
2. GENERAL TOLERANCE: X.X=±0.4
X.XX=±0.25
3. TERMINAL NUMBERS FOR REF ONLY
- ▲4. RATING: UL: 5A @ 250VAC; 8A @125VAC;
VDE: 5A@ 250VAC
- ▲5. INSULATION RESISTANCE: 50 MEGA-OHMS (INITIAL)
6. ELECTRICAL LIFE: 30,000 MAKE-AND-BREAK CYCLES
7. PANEL THICKNESS: 0.5 - 5.0 mm
8. CONTACT MATERIAL: SILVER
9. OPERATING TEMP.: -25°C to 55°C
10. STORAGE TEMP.: -40°C to 70°C
11. ▲ DENOTES CRITICAL PARAMETER.
12. 2002/95/EC (ROHS) COMPLIANT
13. PACKAGING: SHIPPED SEPARATELY IN BULK
14. LAMP: NONE



ISOMETRIC



TITLE MDP16OAT1100R

| | | | | |
|-----|--------|-------------------------|---------|-----|
| A | 18625 | RELEASED FOR PRODUCTION | 9/17/09 | BLR |
| REV | PCR NO | DESCRIPTION | DATE | BY |

THE INFORMATION CONTAINED IN THIS DOCUMENT IS PROPRIETARY TO E-SWITCH AND IS NOT TO BE COPIED OR TRANSFERRED

| | | | | |
|----------|-----------|-----|---------|-----|
| SCALE | DATE | DR | DWG | REV |
| 1.25 : 1 | 9/17/2009 | BLR | XF0804P | A |