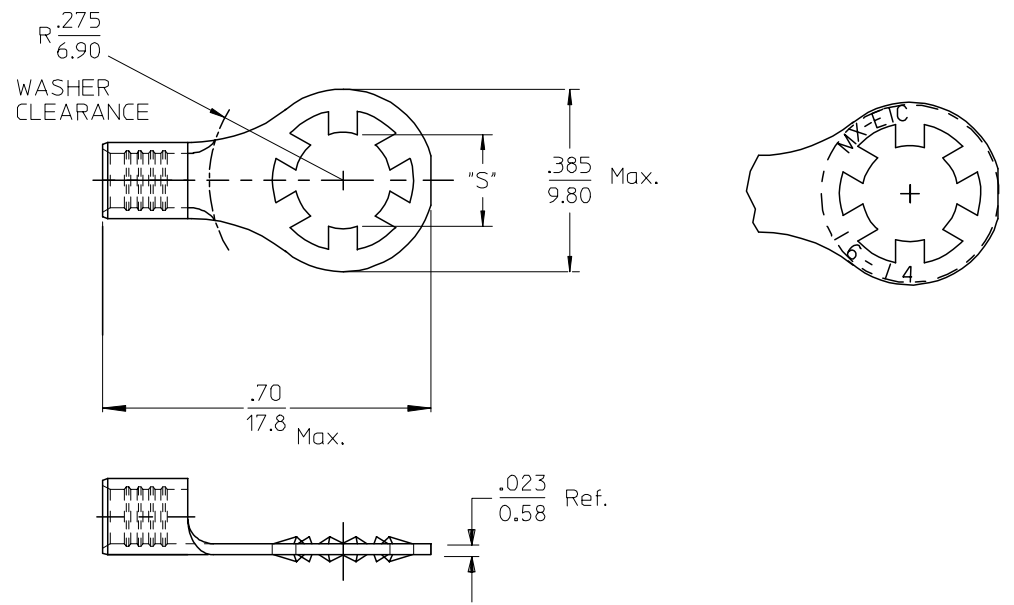


MATERIAL NO.	ENG. NO.	STUD SIZE	"S" DIA.
190740015	SRB-129-06	6	.146
190740017	SRB-129-08	8	.173
190740019	SRB-129-10	10	.198



MATERIAL: BRASS  
FINISH: ELECTRO-TIN PLATING

INITIAL RELEASE  
EC NO: ETC2006-0358  
DRWN: JSCHOOLEY 2006/04/10  
CHKDR: DEROSS 2006/04/12  
APPR: RDEROSS 2006/04/13

QUALITY SYMBOLS  
▽=0  
▽=0

	GENERAL TOLERANCES (UNLESS SPECIFIED)	
	mm	INCH
4 PLACES	± .005	± .0005
3 PLACES	± .005	± .0005
2 PLACES	± 0.13	± .01
1 PLACE	± 0.25	± .01
ANGULAR		± 1/2°

DIMENSION STYLE	
IN	MM
DRAWN BY	DATE
JBS	2006/04/05
CHECKED BY	DATE
R DEROSS	2006/04/05
APPROVED BY	DATE
R DEROSS	2006/04/05

SCALE	DESIGN UNITS	THIRD ANGLE PROJECTION
4:1	INCH	☉
TITLE		
LOCKING RING TONGUE TERMINAL 16-14 AWG		
APPROVED BY		
R DEROSS		
MATERIAL NO.		SHEET NO.
SEE CHART		1 OF 1
DOCUMENT NO.		
SD-19074-001		
THIS DRAWING CONTAINS INFORMATION THAT IS PROPRIETARY TO MOLEX INCORPORATED AND SHOULD NOT BE USED WITHOUT WRITTEN PERMISSION		