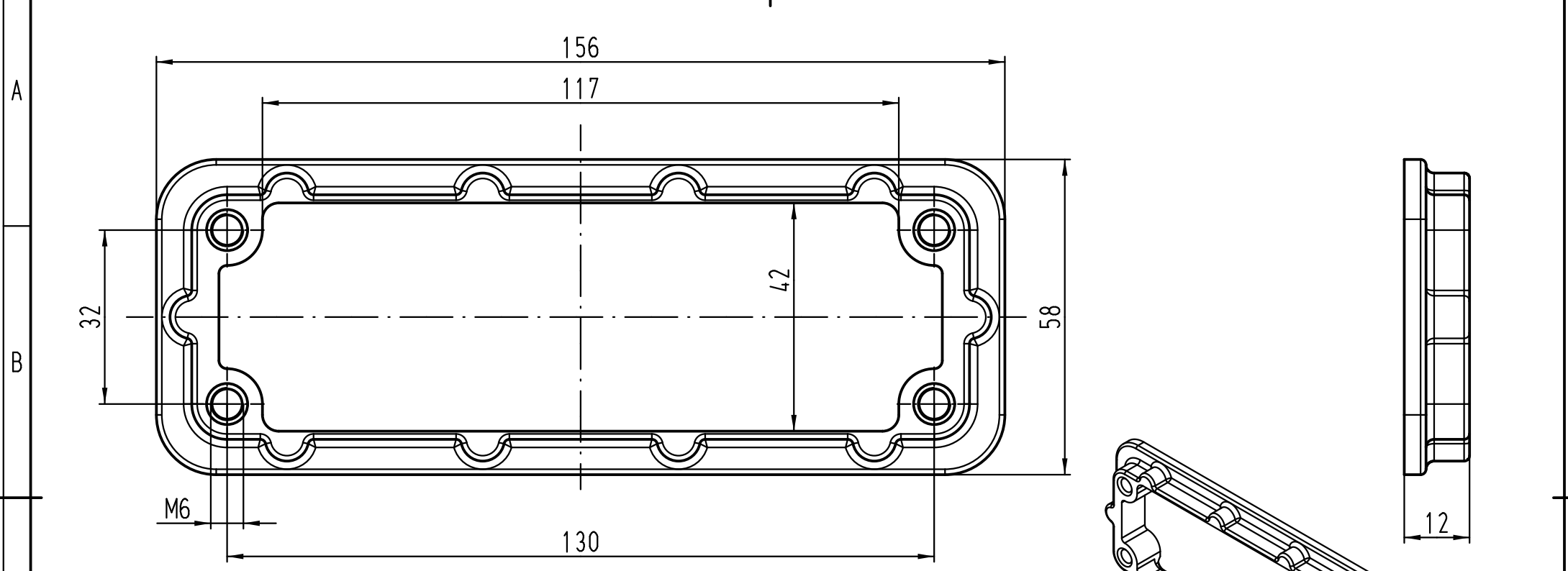
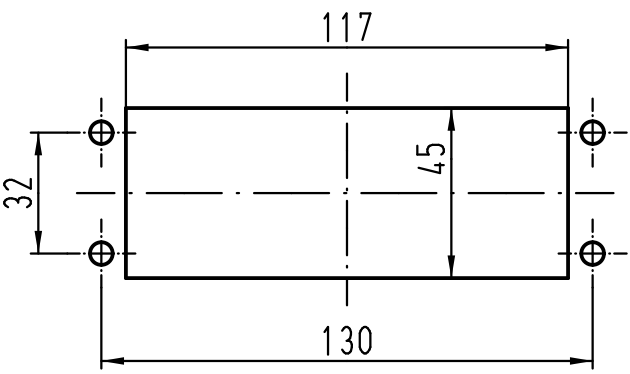


1 2 3 4 5 6



Montageausschnitt 1:2  
panel cut out 1:2



|   |          |                   |                                |      |  |  |
|---|----------|-------------------|--------------------------------|------|--|--|
| All Dimensions in mm<br>Original Size DIN A 4 |          | Techn. Character. |                                |      | Nicht tolerierte Maße/Free size tolerances |  |
|   |          |                   | Dat.                           | Name | Maßstab/Scale<br><b>1:1</b>                | <b>Han 24 HPR Montagerahmen</b><br><i>Han 24 HPR Mounting frame</i><br><i>f. 4xHC250 and HC650</i> |
|   |          | Detail.           | 03.02.12                       | Rull |  |  |
|   |          | Insp.             |                                | Sch  |  |  |
|   |          | Stand.            |                                |      |  |  |
| B   | 03.04.12 | Rull              | HARTING Electric GmbH & Co. KG |      | <b>TB 09 40 000 9955</b>                   | Blatt/page   |
| A   |          |                   | D-32339 Espelkamp              |      |  |  |
| Mod.  | Dat.     | Name              |                                |      |  |  |
|   |          |                   |                                |      | Sub.                                       |  |