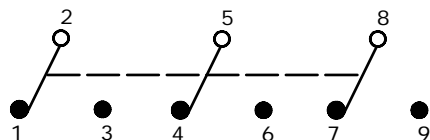
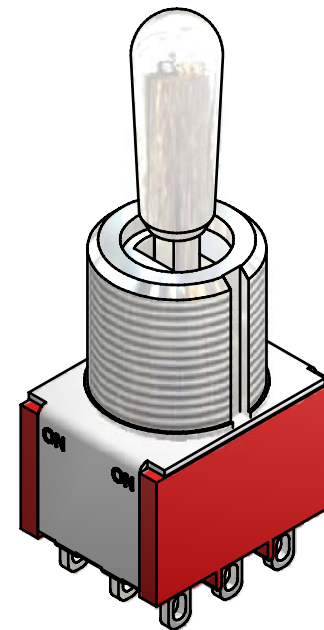
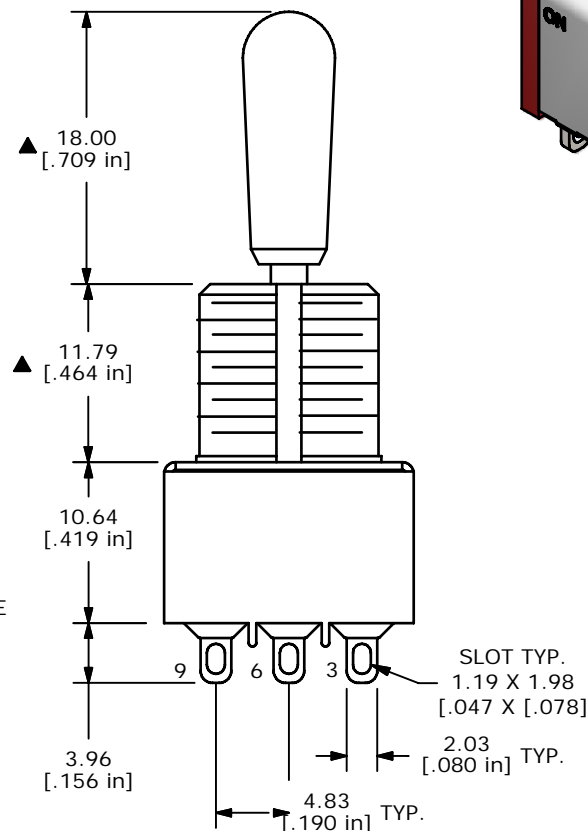
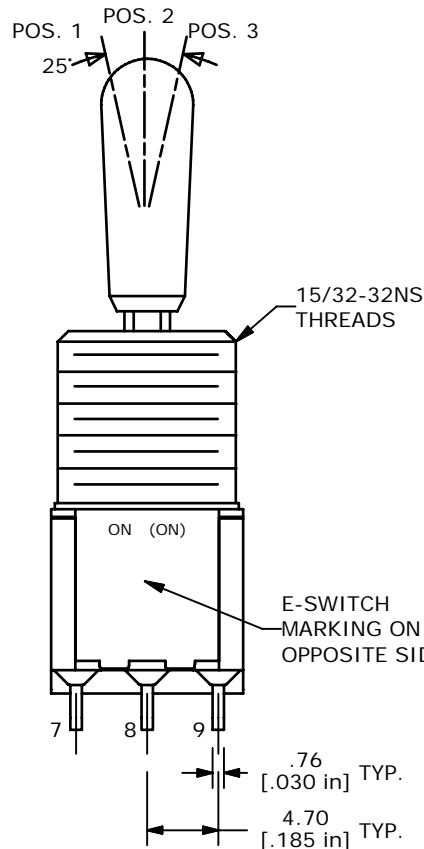
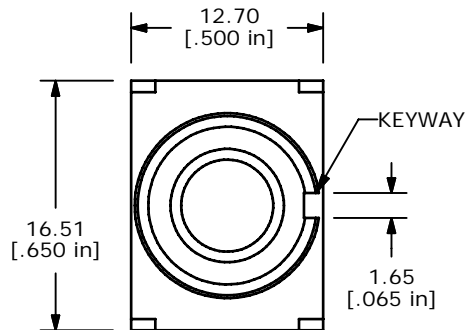


SWITCH FUNCTION		
POS. 1	POS. 2	POS. 3
ON	NONE	(ON)
2-3, 5-6, 8-9	NONE	2-1, 5-4, 8-7

(ON) = MOMENTARY



CIRCUIT: 3PDT



ISOMETRIC

NOTE:

1. ALL DIMENSIONS IN MM [INCH]
2. GENERAL TOLERANCE: X.X=±0.4
X.XX=±0.25
3. TERMINAL NUMBERS FOR REFERENCE ONLY
- ▲4. PLATING MATERIAL: GOLD
- ▲5. RATING: .4VA @20V MAX (AC R DC)
6. ELECTRIC LIFE: 40,000 make-and-break cycles at full load.
7. INSULATION RESISTANCE: 1,000 Mega-ohm min.
8. DIELECTRIC STRENGTH: 1,000 V RMS @sea level.
9. OPERATING TEMP.: -30°C to 85°C
10. ▲ DENOTES CRITICAL PARAMETER.
11. 2002/95/EC (ROHS) COMPLIANT
12. HARDWARE TO BE SHIPPED BULK
T100004 - HEXNUT - QTY 2
T100012 - LOCKWASHER - QTY 1
T100003 - LOCKRING - QTY 1



TITLE 1003P2T8B13M1REH

A	20724	RELEASED FOR PRODUCTION	8/27/12	rc
REV	PCR NO	DESCRIPTION	DATE	BY

THE INFORMATION CONTAINED IN THIS DOCUMENT IS PROPRIETARY TO E-SWITCH AND IS NOT TO BE COPIED OR TRANSFERRED

SCALE	DATE	DR	DWG	REV
2:1	8/27/2012	rc	ST131002	A