

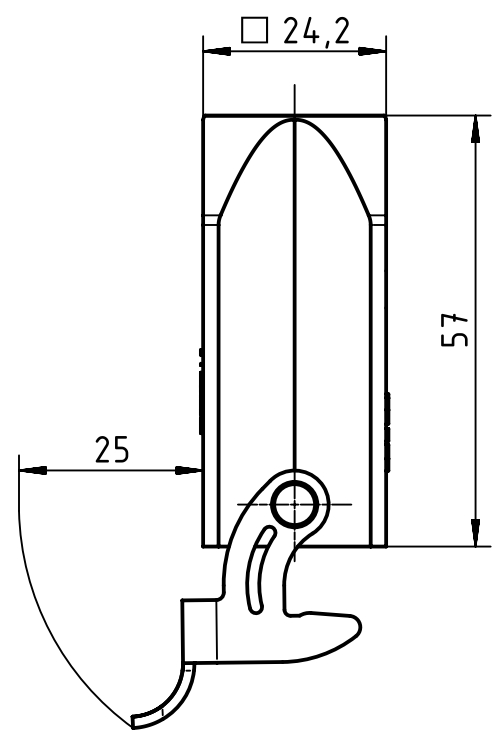
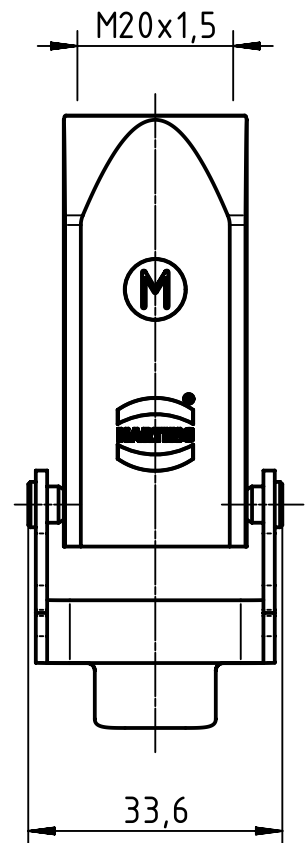
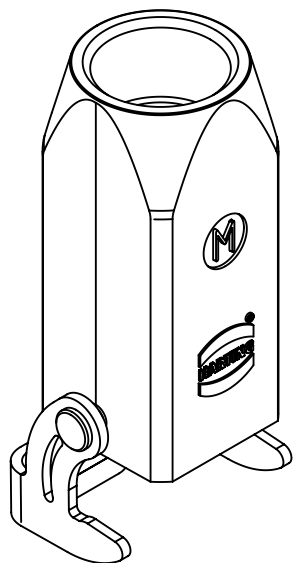
1 2 3 4 5 6


A

B

C

D



	All rights reserved Department EL PD - DE		Created by SPRENB	Inspected by BERGHORN	Standardisation TIEMANNA	Date 2013-06-13	State Final Release	
	HARTING Electric GmbH & Co. KG D-32339 Espelkamp		Title Han A Hood Coupler 1 Lever M20				Doc-Key / ECM-Nr. 100540974/UGD/001/A 500000060959	
			Type TB	Number 19 20 003 1750			Rev. A	Page 1/1