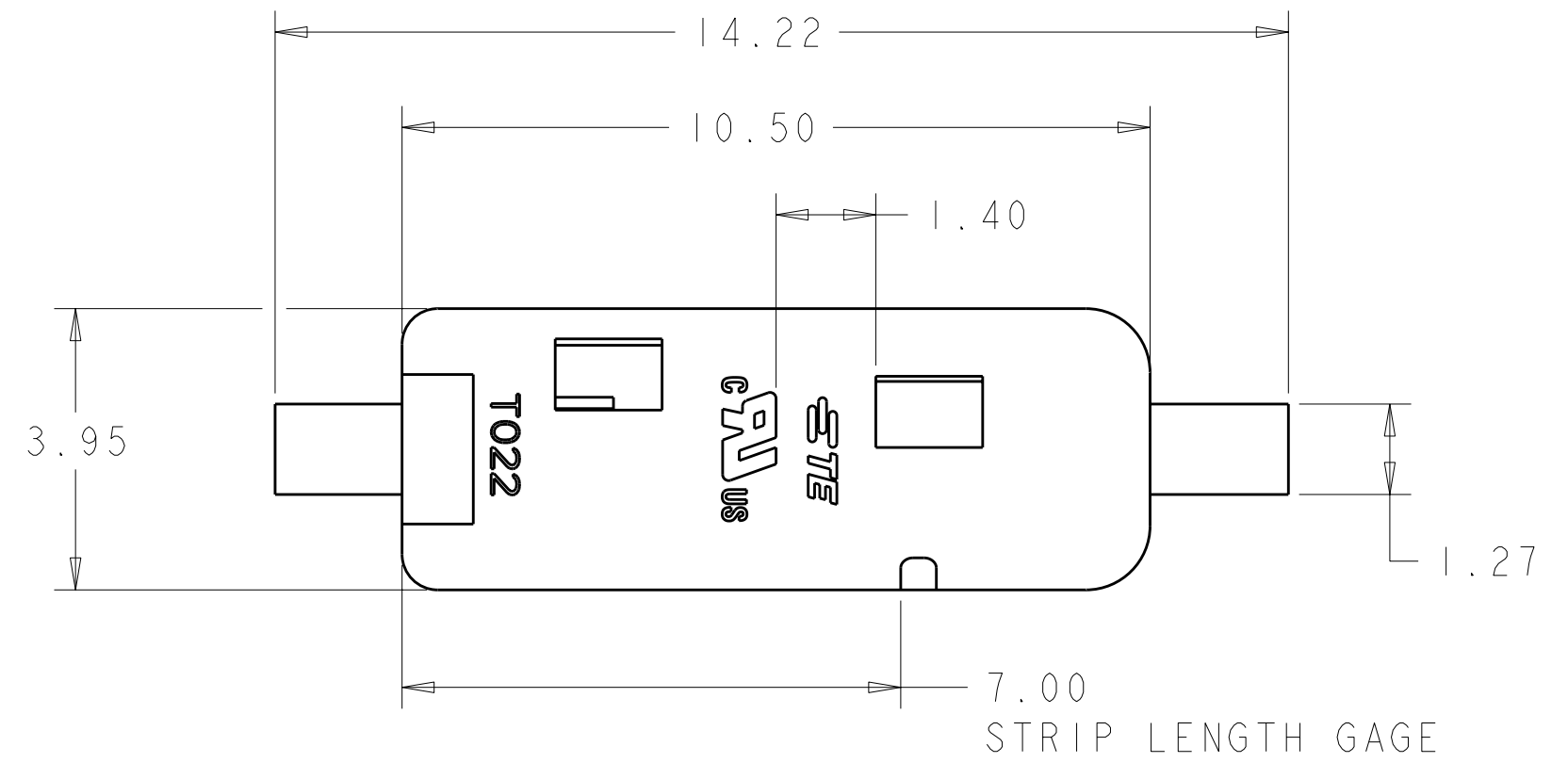
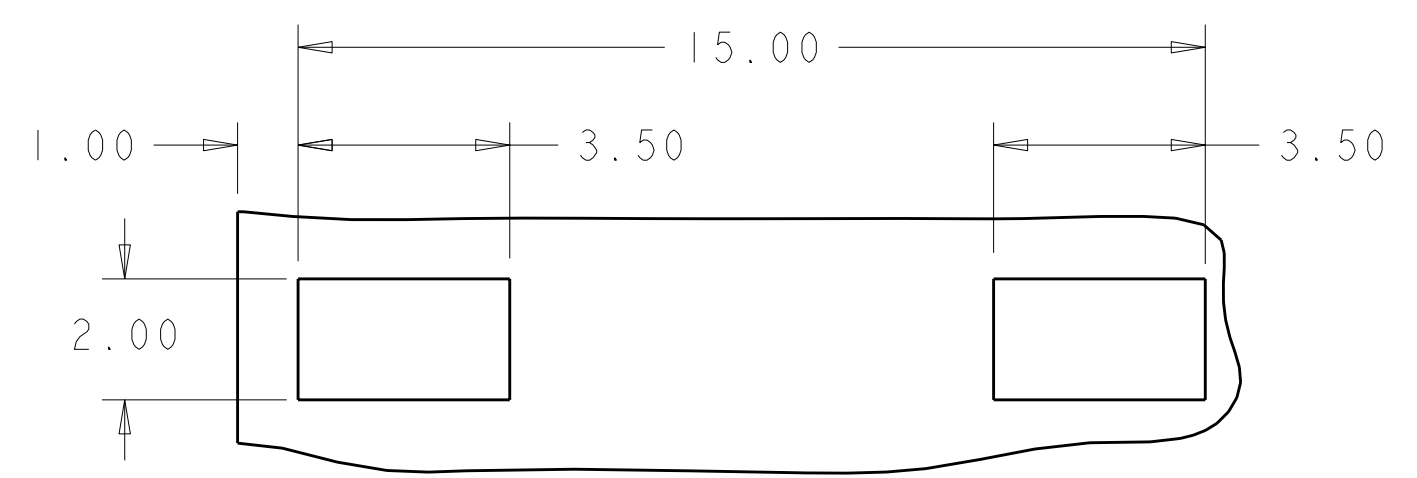
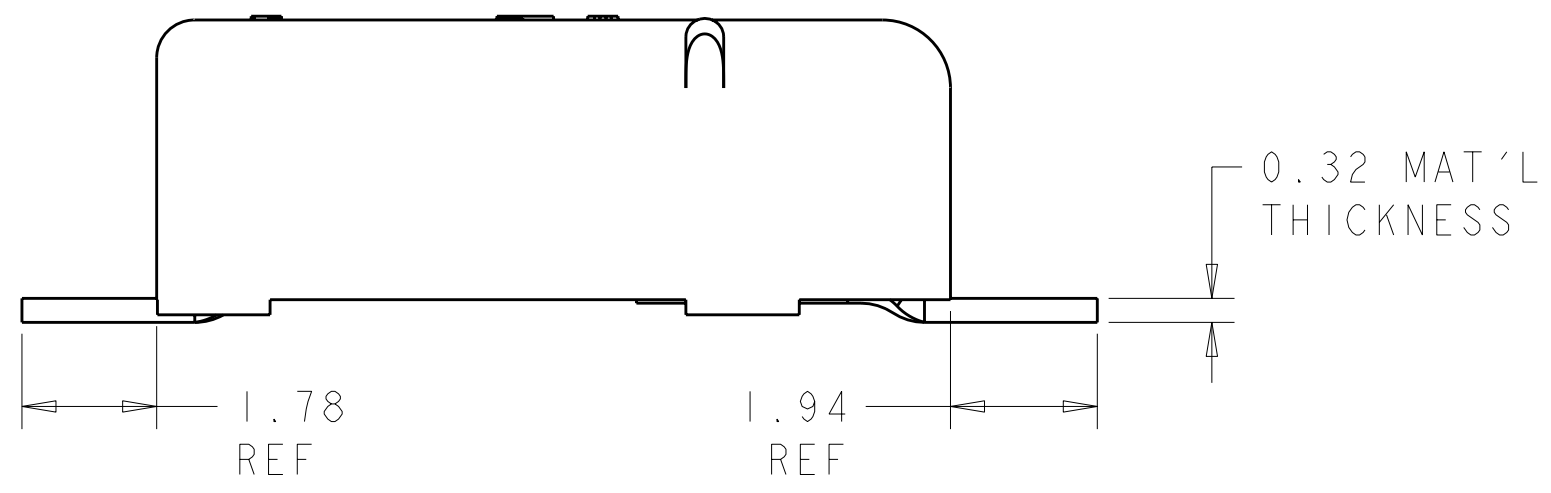
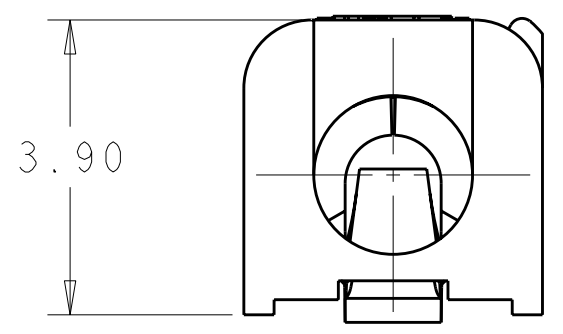


THIS DRAWING IS UNPUBLISHED. RELEASED FOR PUBLICATION 20
 © COPYRIGHT 20 ALL RIGHTS RESERVED.

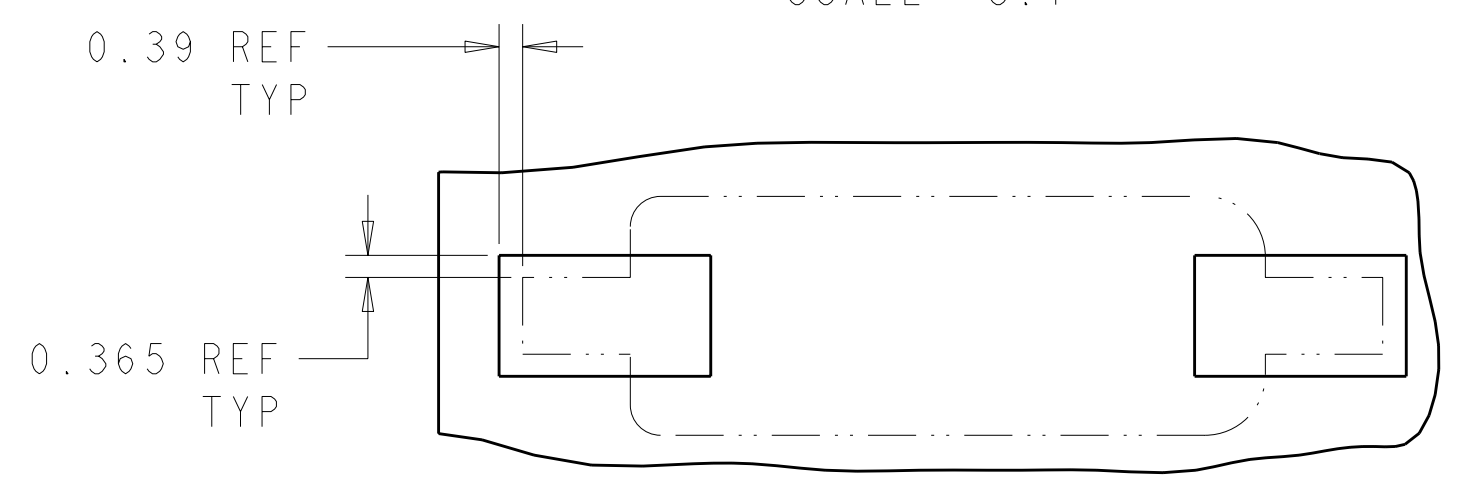
REVISIONS							
LOC	DIST	P	LTR	DESCRIPTION	DATE	DWN	APVD
-	-	A1		REVISED PER ECR-09-018649	25AUG2009	HMR	DD
		A2		REVISED PER ECR-11-011090	03JUN2011	SK	DD



- ⚠ MATERIALS AND FINISH:
 - HOUSING: LCP, COLOR: WHITE
 - CONTACTS: COPPER ALLOY, FINISH: TIN
- MUST COMPLY WITH DIRECTIVE 2002/95/EC (ROHS)
 - WIRE TYPES AND SIZES ACCEPTED
 18, 20 AND 22 AWG SOLID WIRE
 18 AND 20 AWG PREBOND STRANDED WIRE
 18 AWG STRANDED WIRE (16 STRAND COUNT)
 MAX INSULATION OD: 2.10 MM (.083")
 STRIP LENGTH: 7.0±1.0 (.276")
 - PACKAGED IN TAPE AND REEL
 PER EIA-481.



RECOMMENDED PCB LAYOUT
SCALE 8:1



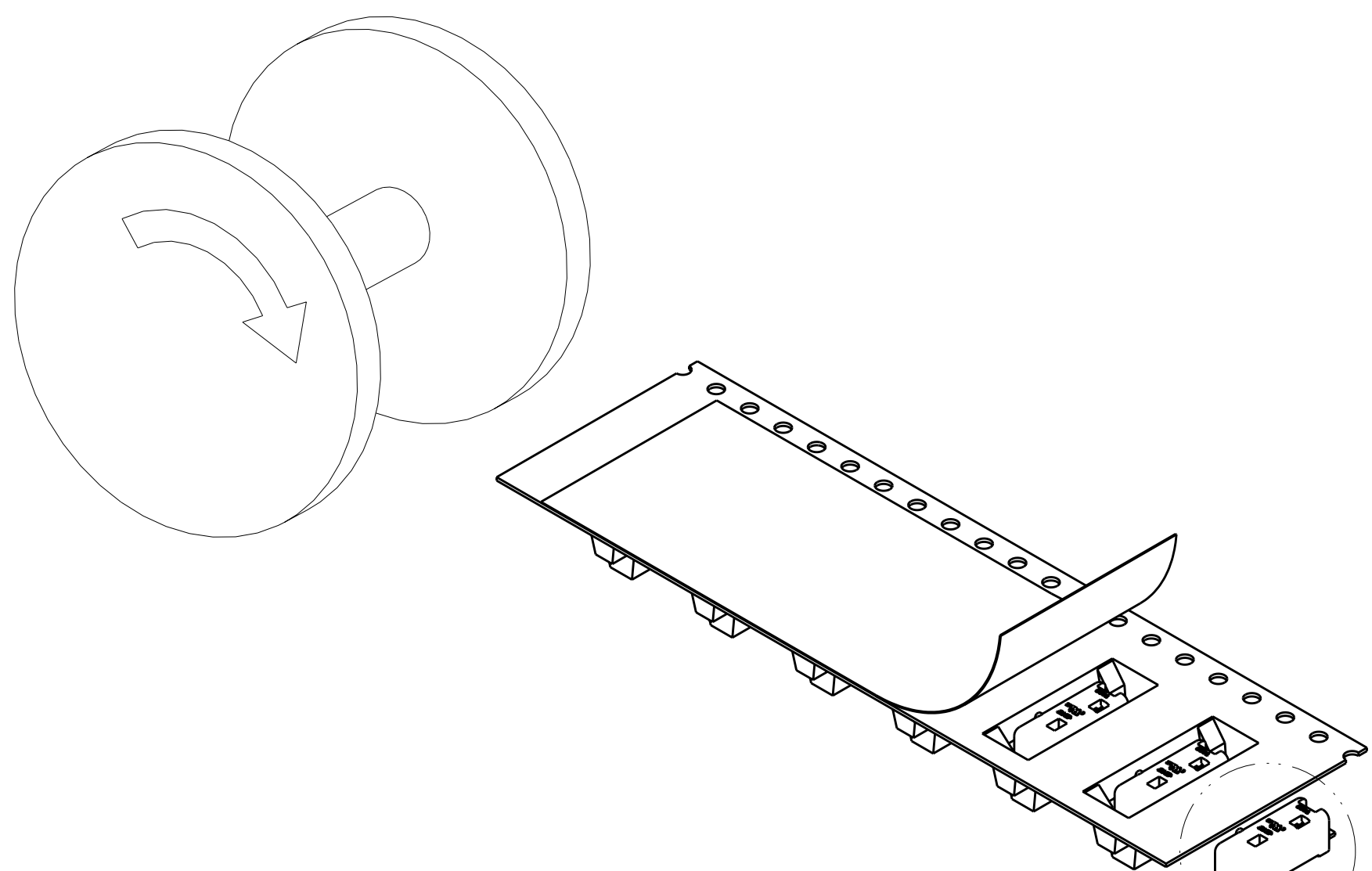
RECOMMENDED CONNECTOR PLACEMENT
SCALE 8:1

⚠	WHITE	1969307-1
MATERIAL	COLOR	PART NUMBER

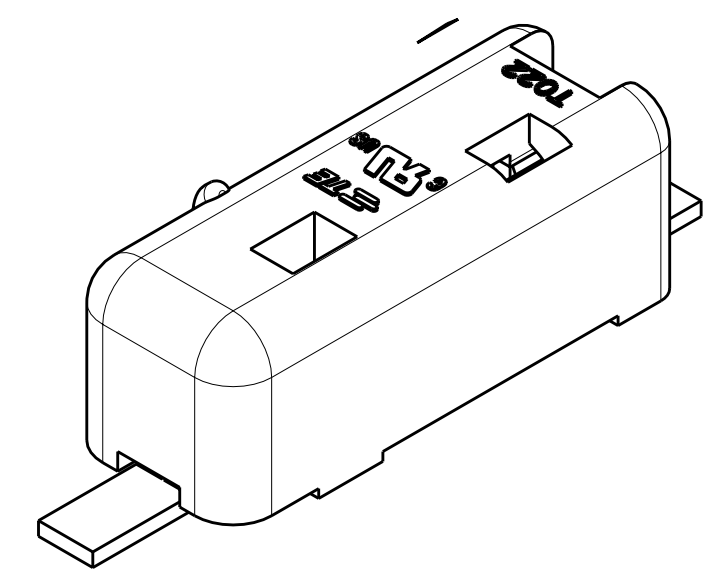
THIS DRAWING IS A CONTROLLED DOCUMENT.		DWN S. SCHLEGEL 8/3/2009	TE Connectivity	
DIMENSIONS: mm		CHK D. DECKER 8/3/2009	NAME POKE-IN CONNECTOR ASSEMBLY, 1 POSITION SMT	
TOLERANCES UNLESS OTHERWISE SPECIFIED: 0 PLC ± 1 PLC ±0.5 2 PLC ±0.10 3 PLC ± 4 PLC ± ANGLES ±3° FINISH		APVD D. DECKER 8/3/2009		
SEE TABLE		PRODUCT SPEC APPLICATION SPEC	SIZE A200779	CAGE CODE C-1969307
CUSTOMER DRAWING		WEIGHT -	SCALE 1:1	SHEET 1 OF 2 REV A2

THIS DRAWING IS UNPUBLISHED. RELEASED FOR PUBLICATION 20
 © COPYRIGHT 20 ALL RIGHTS RESERVED.

LOC		DIST		REVISIONS			
P	LTR	DESCRIPTION	DATE	DWN	APVD		
-	-	SEE SHEET 1	-	-	-		

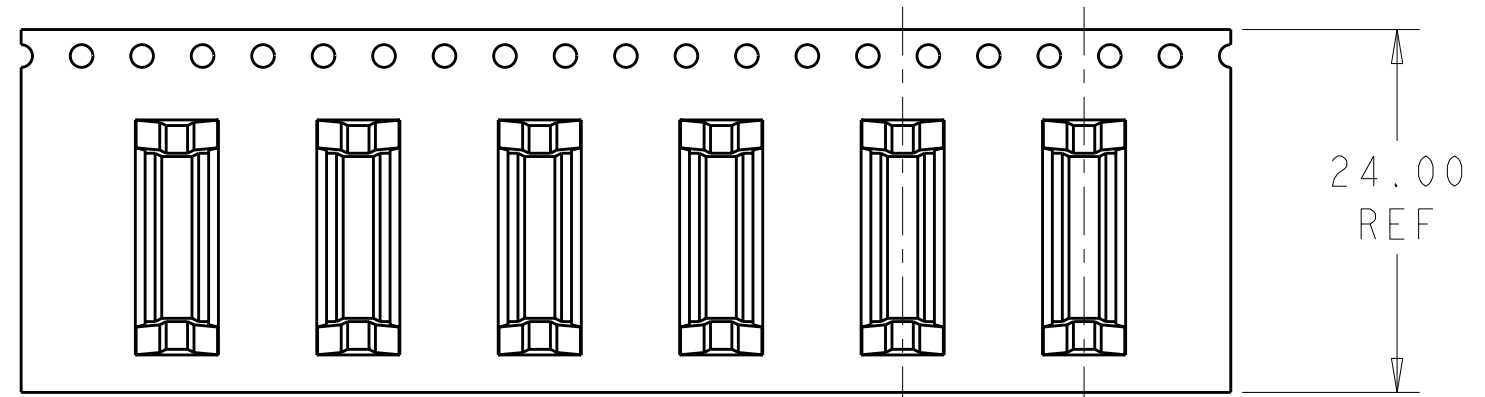


TAPE AND REEL PACKAGING DIAGRAM
SCALE 2:1




DETAIL A
SCALE 8:1

SEE DETAIL A



12.00 REF
TYP

THIS DRAWING IS A CONTROLLED DOCUMENT.		DWN S. SCHLEGEL 8/3/2009	 TE Connectivity	
DIMENSIONS: mm		CHK D. DECKER 8/3/2009		
TOLERANCES UNLESS OTHERWISE SPECIFIED:		APVD D. DECKER 8/3/2009	NAME POKE-IN CONNECTOR ASSEMBLY, 1 POSITION SMT	
0 PLC ±- 1 PLC ±0.5 2 PLC ±0.10 3 PLC ±- 4 PLC ±- ANGLES ±3° FINISH		PRODUCT SPEC -	SIZE A200779	CAGE CODE C-1969307
MATERIAL SEE TABLE		APPLICATION SPEC -	RESTRICTED TO -	SCALE 10:1
SEE TABLE		WEIGHT -	CUSTOMER DRAWING	SHEET 2 OF 2 REV A2