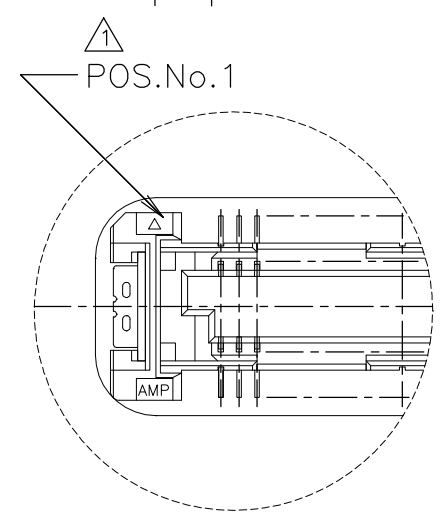
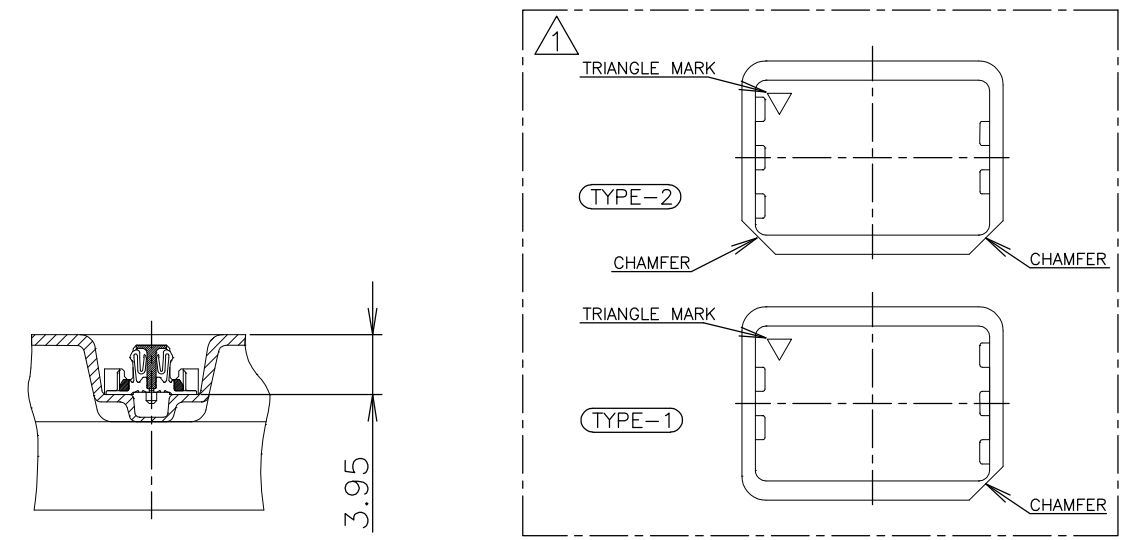
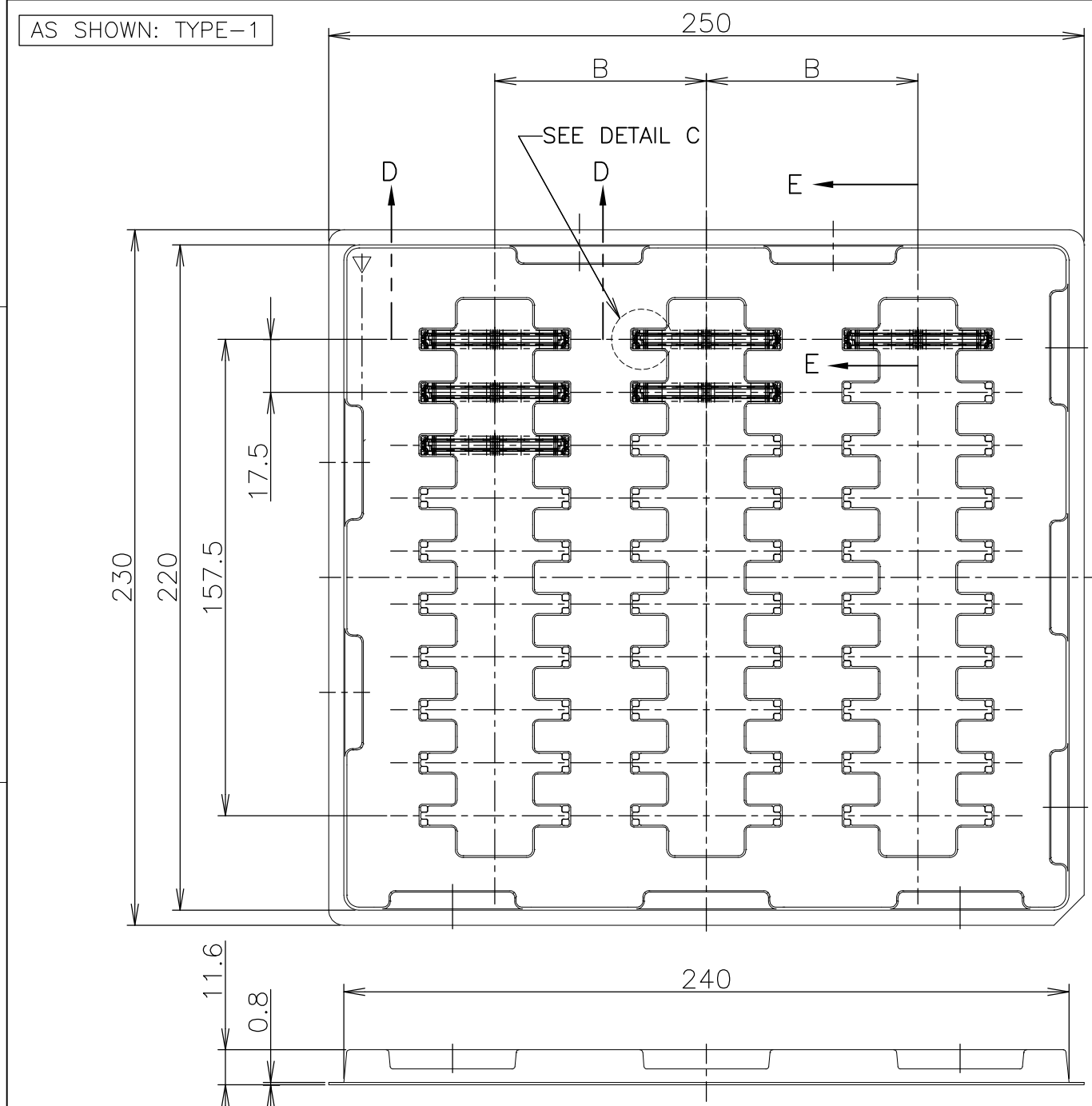


THIS DRAWING IS UNPUBLISHED. RELEASED FOR PUBLICATION MAY, 1995.
 © COPYRIGHT 1995 BY TYCO ELECTRONICS CORPORATION. ALL RIGHTS RESERVED.

LOC	DIST	REVISIONS				
P	LTR	DESCRIPTION	DATE	DWN	APVD	
J		B	REVISED	11JUN07	Y.S	Y.N



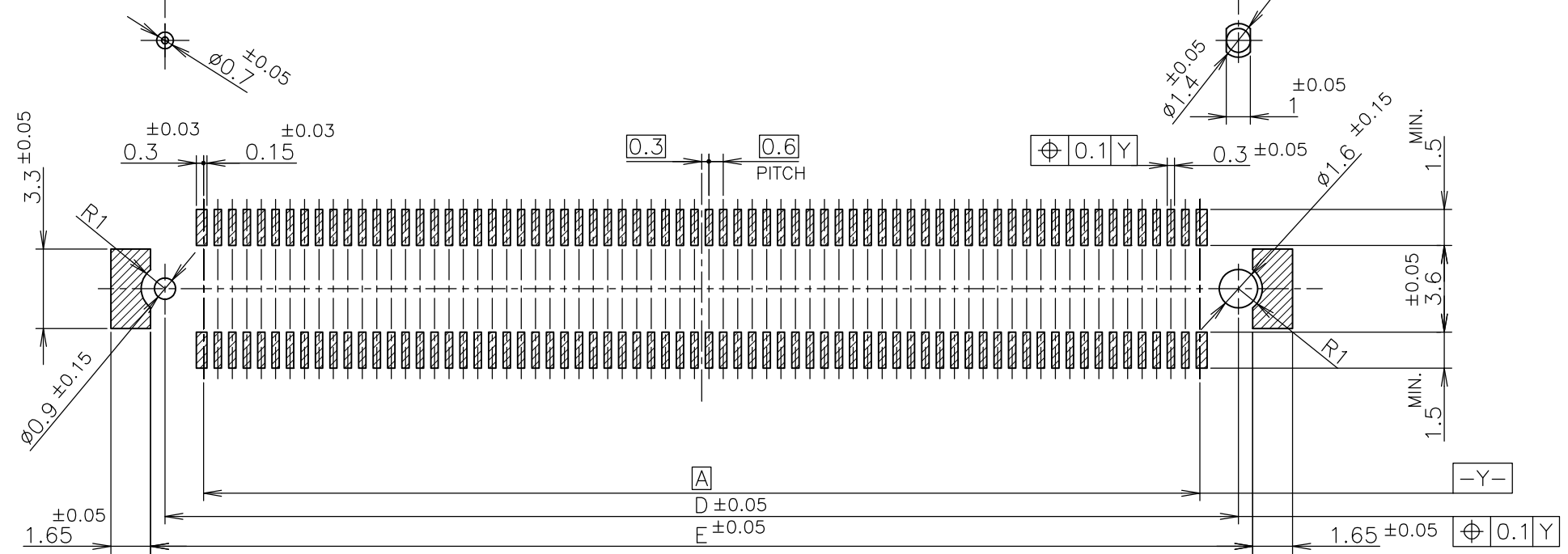
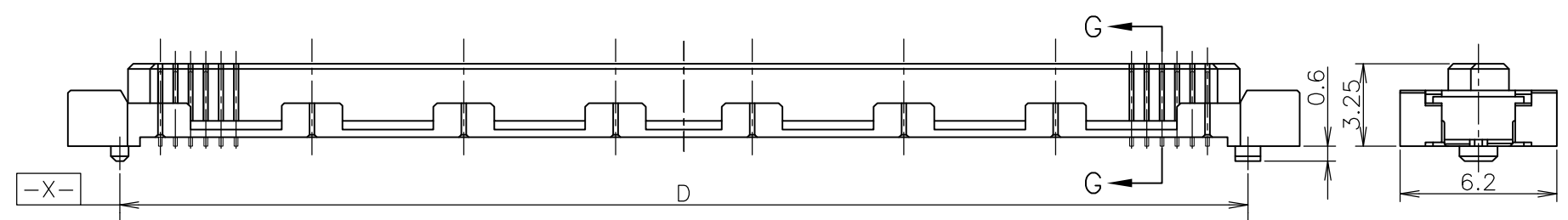
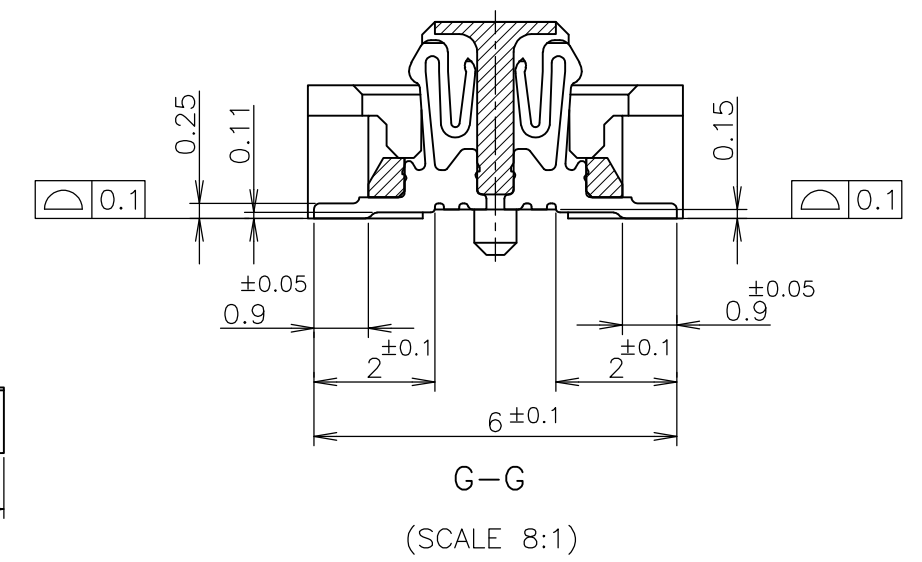
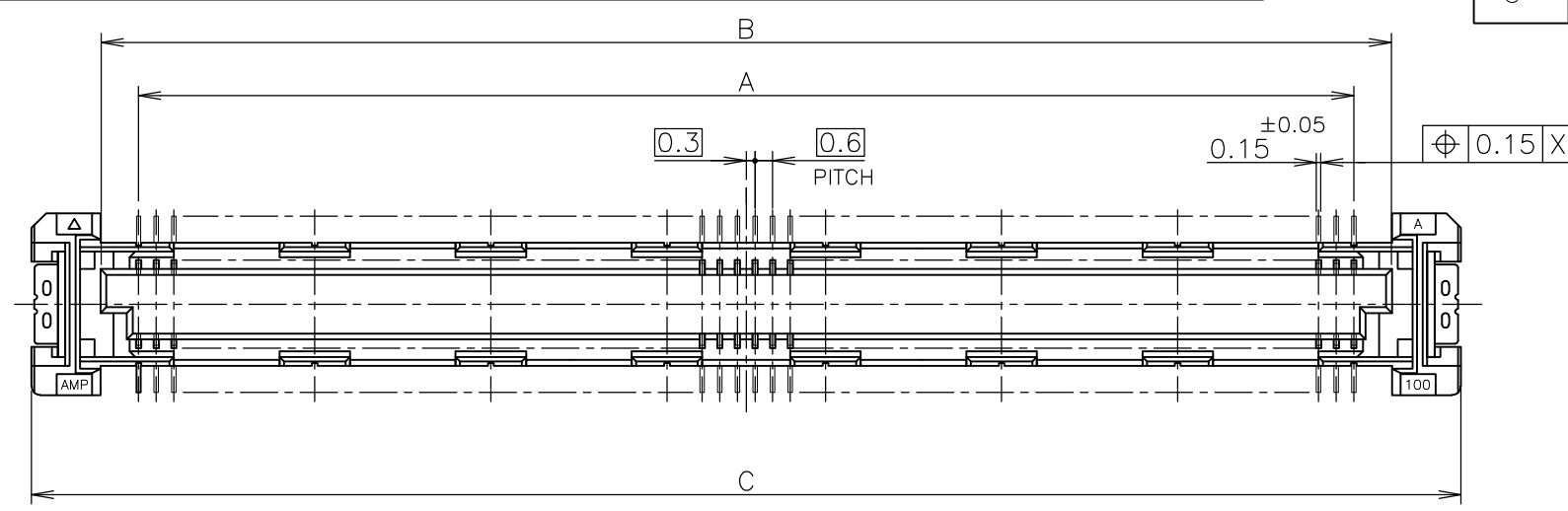
▲ TRAY TYPE-1 AND TYPE-2 MUST BE
 PILED UP BY TURNS.
 (REFER TO PACKING SPECIFICATIONS)

5	50	43	21.7	50	2013012-3
ROW	QTY	B	A	POS.	PART NO.

THIS DRAWING IS A CONTROLLED DOCUMENT.		DWN	Y.SHINO	8MAY07	Tyco Electronics AMP K.K. Kawasaki, Japan
DIMENSIONS: MM		CHK	Y.NAKAZAWA	8MAY07	
TOLERANCES UNLESS OTHERWISE SPECIFIED:		APVD	T.FUTATSUGI	8MAY07	
0 PLC ± - 1 PLC ± - 2 PLC ± - 3 PLC ± - 4 PLC ± - ANGLES ± - FINISH ± -		PRODUCT SPEC		NAME	
GENERAL TOLERANCE 10 ≥ * : ± 0.2 30 ≥ * > 10 : ± 0.25 100 ≥ * > 30 : ± 0.3 ANGLES : ± 3°		APPLICATION SPEC		TRAY ASSY	
MATERIAL		108-60047		FH 0.6BTB CONNECTOR	
		114-5255		REC 4H Au PLATED 0.00076MM	
		CUSTOMER DRAWING		SIZE	RESTRICTED TO
				A3	
				CAGE CODE	
				00779	
				DRAWING NO	
				G-2013012	
				SCALE	
				1:2	
				SHEET	
				1 OF 2	
				REV	
				B	

THIS DRAWING IS UNPUBLISHED. RELEASED FOR PUBLICATION MAY, 1995.
 © COPYRIGHT 1995 BY TYCO ELECTRONICS CORPORATION. ALL RIGHTS RESERVED.

LOC	DIST	REVISIONS			
P	LTR	DESCRIPTION	DATE	DWN	APVD
J		SEE SHEET 1	-	-	-



RECOMMENDED P.C.BOARD LAYOUT

② MATERIAL ; HOUSING : HIGH TEMP THERMO PLASTIC
 UL94V-0
 CONTACT : COPPER ALLOY
 SOLDER PEG : COPPER ALLOY
 ③ FINISH ; CONTACT
 UNDER PL Ni 0.0013mm MIN ALL OVER.
 CONTACT AREA: 0.00076 MIN Au PL.
 SOLDERING AREA: 0.00005 MIN Au PL.
 SOLDER PEG
 UNDER PL Ni 0.0005mm MIN ALL OVER.
 ALL OVER : 0.003mm MIN Sn-Pb PL.
 4. SEE PACKING ASSY DWG AS FINAL ASSY PART NUMBER.

THIS DRAWING IS A CONTROLLED DOCUMENT.		DWN	Tyco Electronics AMP K.K. Kawasaki, Japan			
DIMENSIONS: MM		CHK	NAME			
TOLERANCES UNLESS OTHERWISE SPECIFIED:		APVD	PRODUCT SPEC			
0 PLC ± 0.3 1 PLC ± 0.3 2 PLC ± 0.3 3 PLC ± 0.3 4 PLC ± 0.3 ANGLES ± 3°		PRODUCT SPEC	APPLICATION SPEC			
MATERIAL		WEIGHT	SIZE	CAGE CODE	DRAWING NO	RESTRICTED TO
②		A3		00779	G-2013012	
FINISH		CUSTOMER DRAWING		SCALE	SHEET	REV
③				4:1	2 OF 2	B