

THIS DRAWING IS UNPUBLISHED. RELEASED FOR PUBLICATION
 © COPYRIGHT 2005 BY TYCO ELECTRONICS CORPORATION. ALL RIGHTS RESERVED.


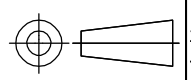
LOC	DIST	REVISIONS					
AJ	00	P	LTR	DESCRIPTION	DATE	DWN	APVD
			E1	REV PER ECO 06-029805	2/6/2007	DW	JL

1. SPECIAL PACKAGING: PACKAGE 10 PIECES
 PER AMP PN 601811-1 (WINDOW BOX)

OBSOLETE	9-221185-2	9-414592-0
OBSOLETE	1-221185-1	414592-5
OBSOLETE	221185-7	414592-4
OBSOLETE	221185-5	414592-3

① PLUG,
 75 OHM
 QTY = 1

PART NUMBER

THIS DRAWING IS A CONTROLLED DOCUMENT.		DWN M.E. COWHER 13MAY93	 Tyco Electronics Corporation Harrisburg, PA 17105-3608	
DIMENSIONS: INCHES	TOLERANCES UNLESS OTHERWISE SPECIFIED:	CHK M. PHILLIPS 17MAY93	NAME PLUG, 75 OHM, BNC	
	0 PLC ± -	APVD M. PHILLIPS 17MAY93	PRODUCT SPEC	
	1 PLC ± -		APPLICATION SPEC	
	2 PLC ± -		SIZE	CAGE CODE
	3 PLC ± -		A3	00779
	4 PLC ± -		DRAWING NO	C-414592
	ANGLES ± -		RESTRICTED TO	
MATERIAL	FINISH	WEIGHT	-	
-	-		CUSTOMER DRAWING	
			SCALE	1:1
			SHEET	1 OF 1
			REV	E1