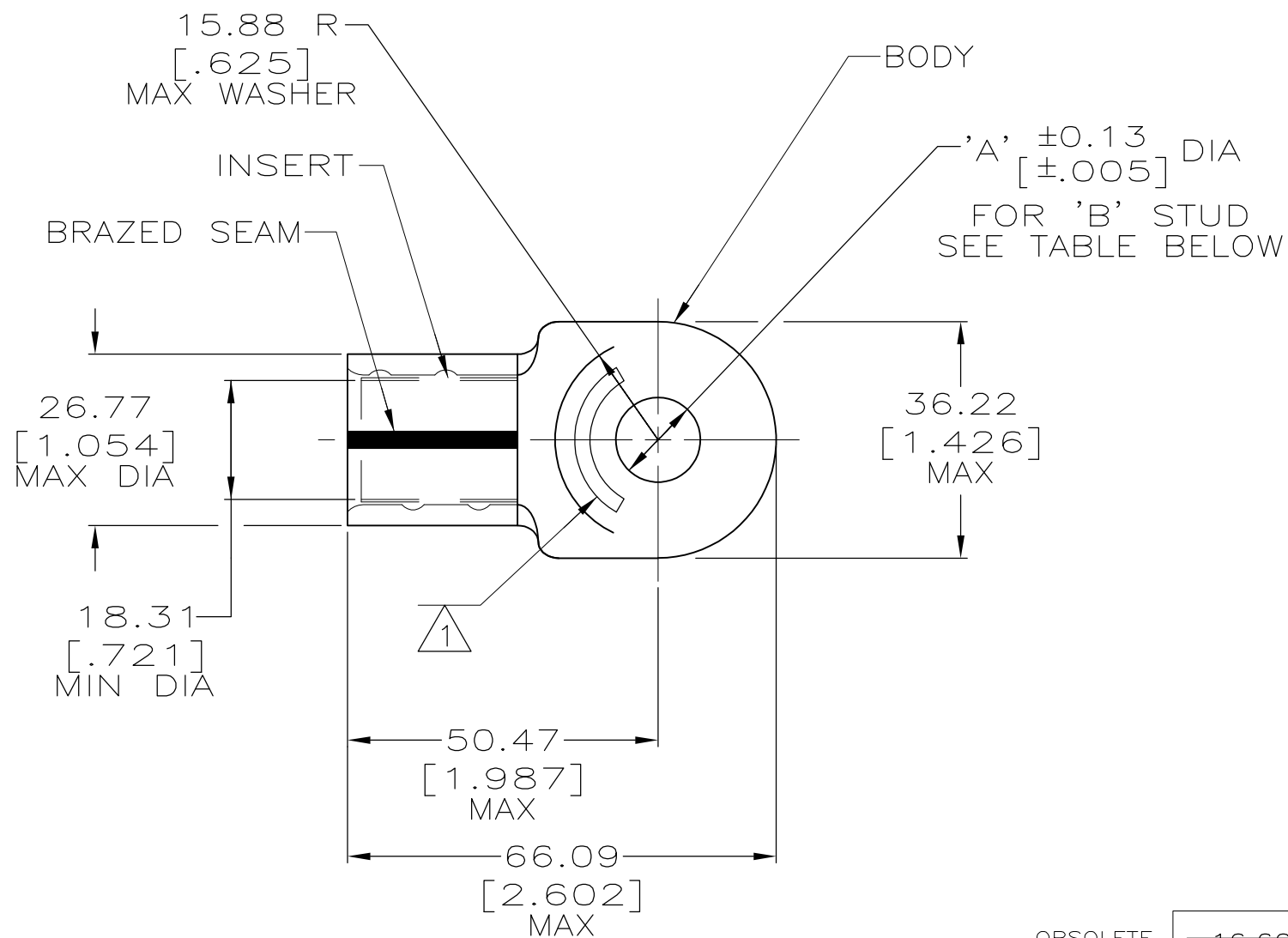


THIS DRAWING IS UNPUBLISHED. RELEASED FOR PUBLICATION  
 © COPYRIGHT BY TYCO ELECTRONICS CORPORATION. ALL INTERNATIONAL RIGHTS RESERVED.

LOC	DIST	REVISIONS					
		P	LTR	DESCRIPTION	DATE	DWN	APVD
G	86		F	REVISED PER ECO-10-013908	07JUL10	PY	BW



- 1 STAMP AMP 250-300 MCM APPROX AS SHOWN
- 2 MATERIAL THK: 3.20 ±0.10 [.126 ±.004]

OBSOLETE	16.66 [.656]	5/8	BODY: COPPER PER ASTM B-152 ANNEALED	52559-5
	13.08 [.515]	1/2		52559-4
OBSOLETE	11.51 [.453]	7/16	TIN PL 0.00254 [.000100] MIN THK PER MIL-T-10727	52559-3
	9.91 [.390]	3/8	INSERT: BRASS PER MIL-C-50 TIN PL 0.00254 [.000100] MIN THK PER MIL-T-10727	52559-2
OBSOLETE	8.33 [.328]	5/16		52559-1
	6.73 [.265]	1/4		52559
	'A'	'B'	6.73 [.265]	PART NO

MAX RECOMMENDED OPERATING TEMPERATURE: 170°C MAX

VOLTAGE RATING: NOT APPLICABLE

WIRE CROSS SECTIONAL AREA RANGE: 117.0-152.0 mm [231-300] MCM SOLID OR STRANDED

THIS DRAWING IS A CONTROLLED DOCUMENT.

DIMENSIONS: INCHES

TOLERANCES UNLESS OTHERWISE SPECIFIED:

0 PLC	± -
1 PLC	± -
2 PLC	± -
3 PLC	± -
4 PLC	± -
ANGLES	± -

MATERIAL: SEE TABLE

FINISH: SEE TABLE

DWN DK SCHRUM 08MAR95	Tyco Electronics Corporation Harrisburg, PA 17105-3608	
CHK AJ KAUFMAN 09MAR95	Tyco Electronics	
APVD RE ROSER 09MAR95	NAME	
PRODUCT SPEC JL MECKLEY 09MAR95	TERMINAL, RING TONGUE, STRANDED/SOLID, COPALUM WIRE SIZE: 250-300 MCM	
APPLICATION SPEC	SIZE	RESTRICTED TO
WEIGHT	A3 00779	—
CUSTOMER DRAWING		SCALE 1:1
		SHEET 1 OF 1
		REV F