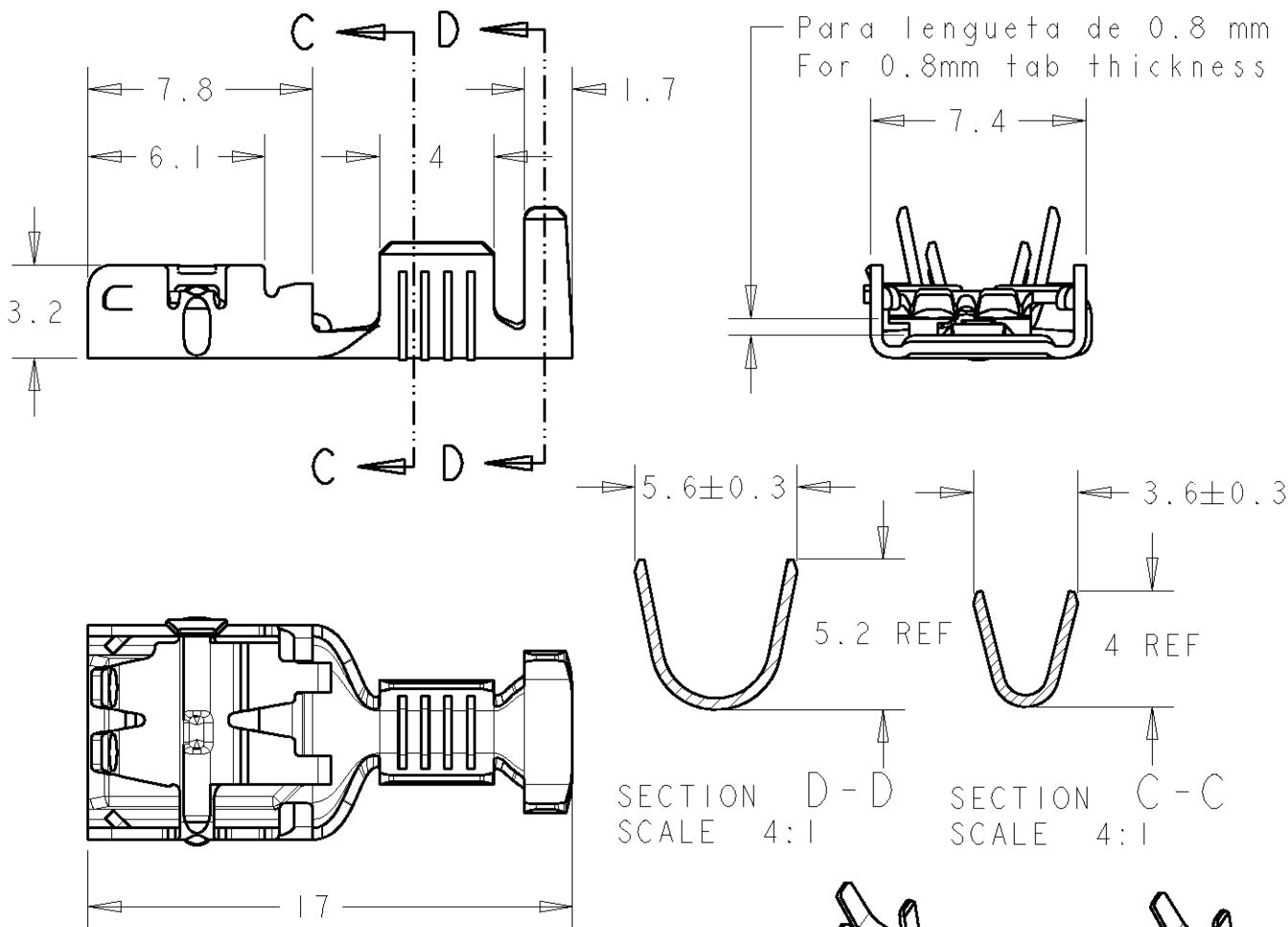
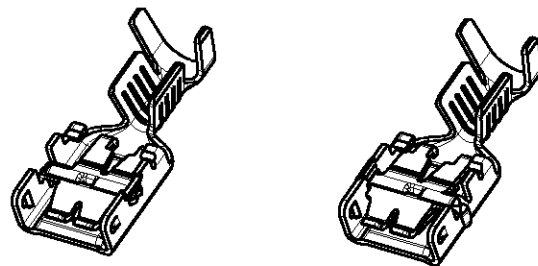


LOC	DIST	REVISIONS			
P	LTR	DESCRIPTION	DATE	DWN	APVD
AL	2				
	G	See ECR 05-017875	JAN 2006	J.S.	J.L.
	H	UPDATED TOLERANCE TABLE	FEB 2006	J.S.	J.L.



1644008-6	CuNiSi	Preestañado Pre-Tin
1644008-5	Latón Brass	Preestañado Pre-TiN
1644008-3	Acero Steel	Pre-niquelado Pre-Ni
1644008-1	Latón Brass	- Plain
Guion Dash	Material	Acabado Finish



Left-sided product

Right-sided product

Rango de hilo de >1,0 a 2,5 mm<sup>2</sup>  
Wire range from >1.0 to 2.5 mm<sup>2</sup>  
Diametro de aislante max 4,3 mm  
Max. Insulation Diameter 4.3 mm

RELEASED FOR PUBLICATION

THIS DRAWING IS UNPUBLISHED.

BY TYCO ELECTRONICS CORPORATION. ALL RIGHTS RESERVED.

© COPYRIGHT 20

DIMENSIONS: mm		DWN J. Sal 22 Dec 04	MATERIAL	FINISH
TOLERANCES UNLESS OTHERWISE SPECIFIED:		CHK L. Lázaro 22 Dec 04	Table	Table
0 PLC ±0.5		APVD -	Tyco Electronics AMP España, S.A. Barcelona, Spain.	
1 PLC ±0.5		PRODUCT SPEC	NAME	
2 PLC ±		108-22128 Brass	E-SPRING CONTACT 6,35 Receptaculo	
3 PLC ±		108-22150 Pre-Ni Steel	6,35 Receptáculo E-SPRING CONTACT	
4 PLC ±		APPLICATION SPEC	SIZE	RESTRICTED TO
ANGLES ±		114-22017	A400779	-
WEIGHT -			CAGE CODE	DRAWING NO
CUSTOMER DRAWING			©=1644008	
SCALE 4:1		SHEET 1 OF 1		REV H