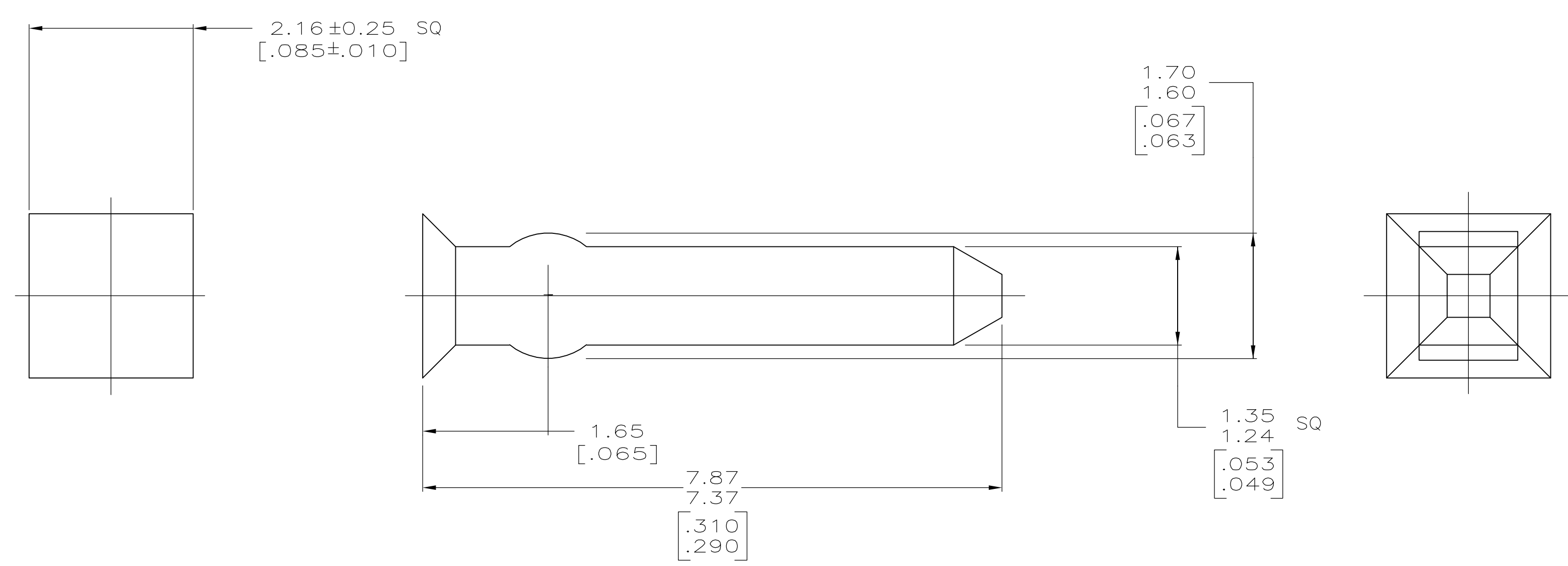
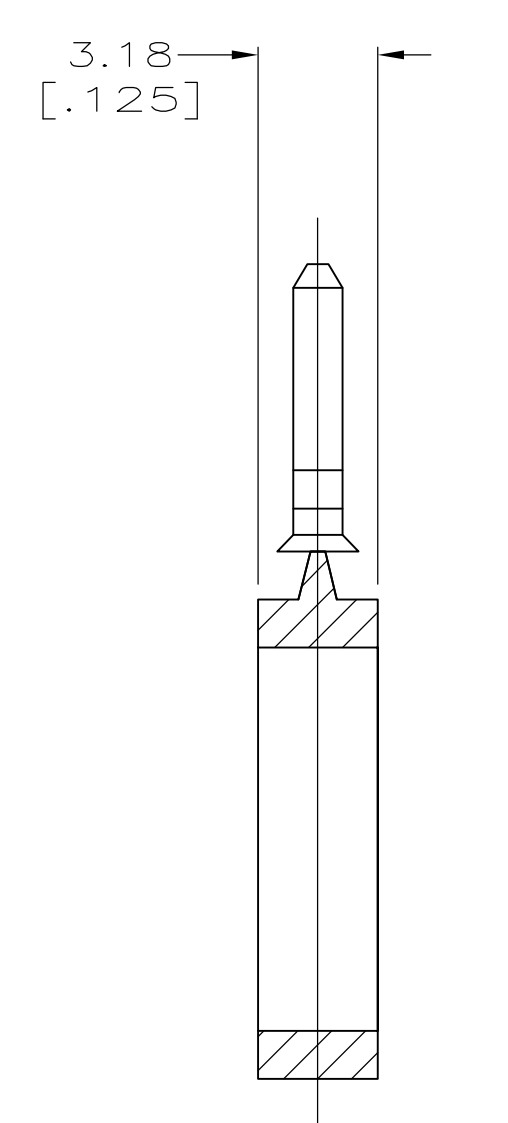


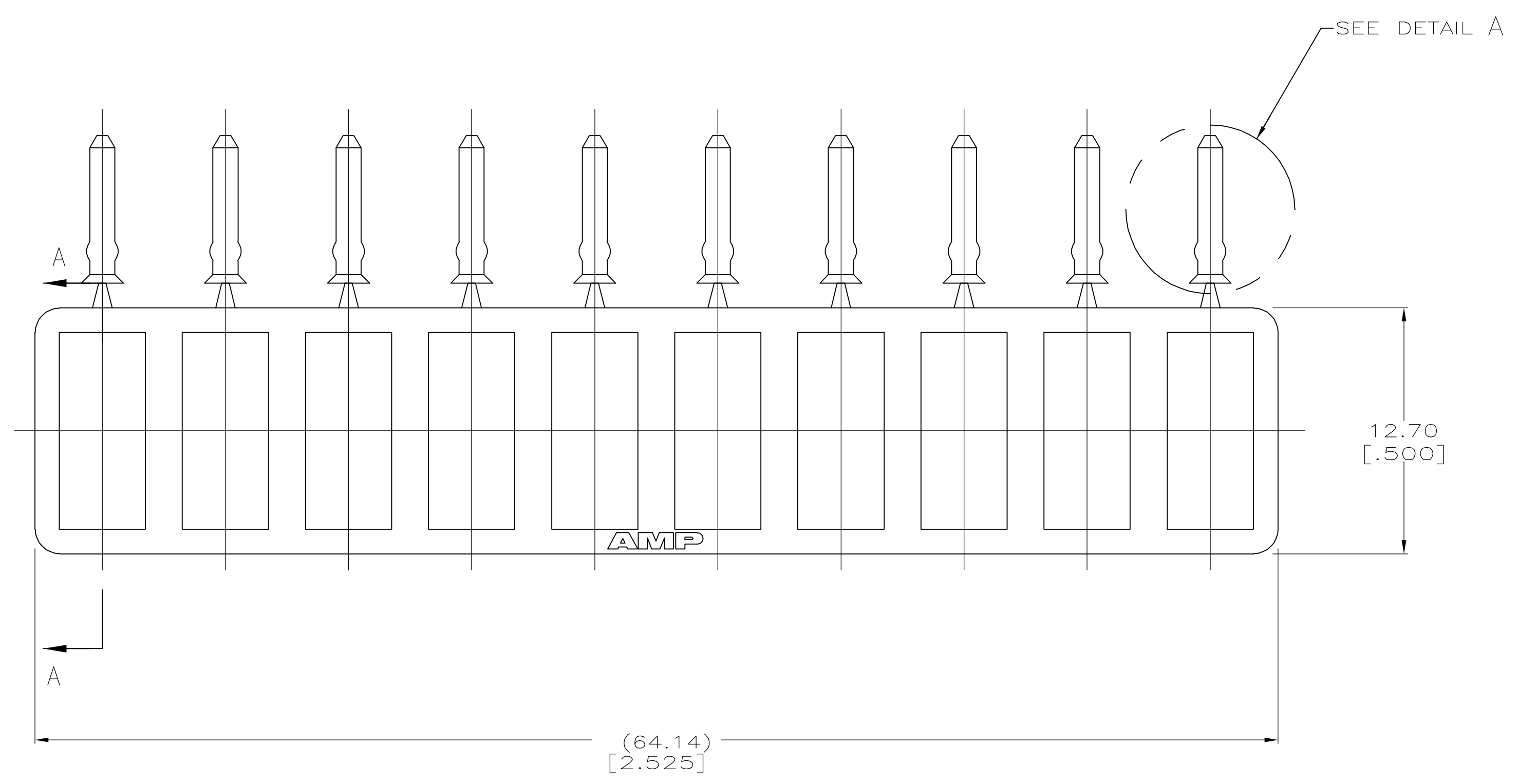
LOC		DIST		REVISIONS			
P	LTR	DESCRIPTION	DATE	DWN	APPD		
C1		REVISED PER ECO-05-012730	08NOV05	KW	DB		



DETAIL A  
 SCALE 20:1  
 ROTATED 90° CW



SECTION A-A



641623-1  
 PART NUMBER

METRIC

THIS DRAWING IS A CONTROLLED DOCUMENT.		DWN T. BECK 4-4-91		Tyco Electronics Corporation Harrisburg, PA 17105-3608	
DIMENSIONS: mm (INCHES)		CHK R. SWING 4-4-91		APD G. MILLER 4-4-91	NAME KEYING PLUG WITH CARRIER STRIP, MTA 156
TOLERANCES UNLESS OTHERWISE SPECIFIED:		PRODUCT SPEC		APPLICATION SPEC	SIZE A1
0 PLC	± -	APPLICATION SPEC		WEIGHT	CAGE CODE 00779
1 PLC	± -	CUSTOMER DRAWING		SCALE 5:1	DRAWING NO. 641623
2 PLC	± -	SCALE 5:1		SHEET 1 OF 1	REV C1
3 PLC	± 0.13 [.005]	SCALE 5:1		SHEET 1 OF 1	REV C1
4 PLC	± -	SCALE 5:1		SHEET 1 OF 1	REV C1
ANGLES	± -	SCALE 5:1		SHEET 1 OF 1	REV C1
FINISH	-	SCALE 5:1		SHEET 1 OF 1	REV C1