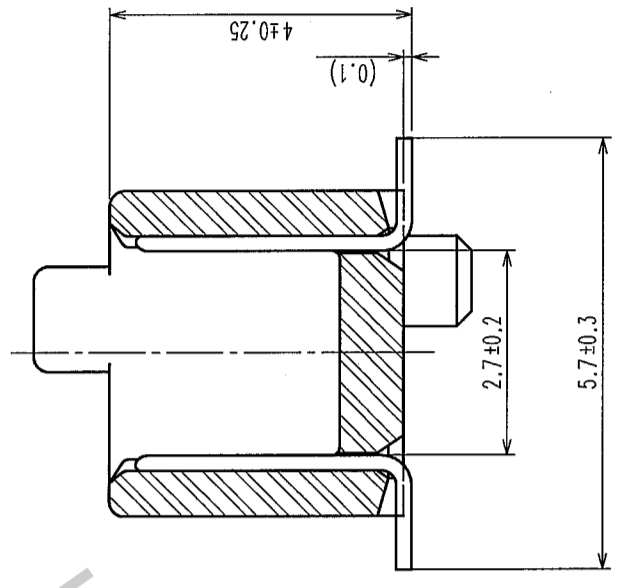
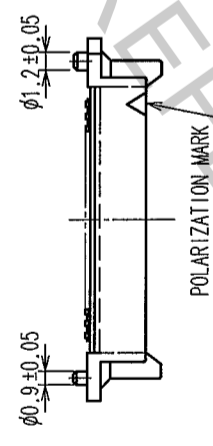
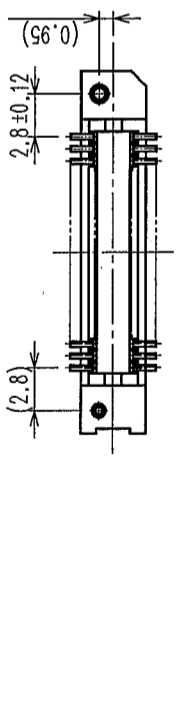
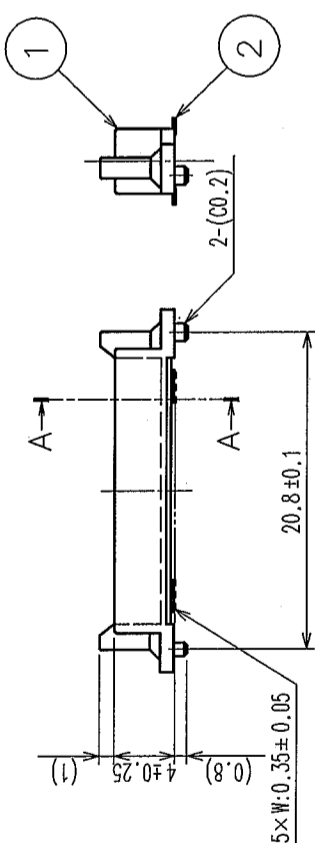
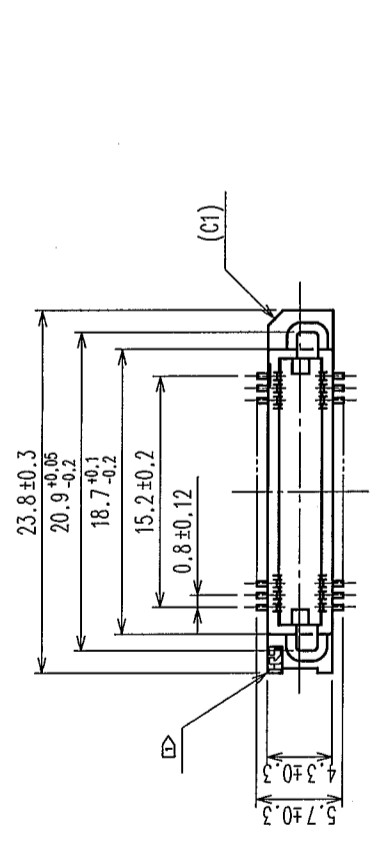


COUNT	DESCRIPTION OF REVISIONS	BY	CHKD	DATE	COUNT	DESCRIPTION OF REVISIONS	BY	CHKD	DATE
△					△				
△					△				
△					△				

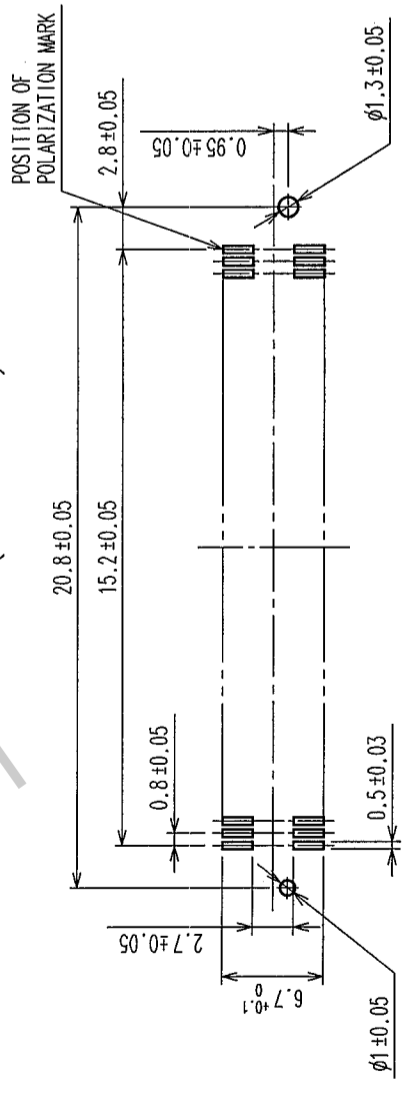
AA(10:1)

HRS DRAWING FOR REFERENCE



- NOTE
- 1 HRS MARK SHALL BE OPTIONAL.
 - 2 LEAD CO-PLANARITY SHALL BE 0.1mm MAX.
 - 3 THE DIMENSIONS IN PARENTHESES ARE FOR REFERENCE.
 - 4 EMBOSSED CARRIER TAPE PACKAGING SHALL BE APPLIED FOR THIS PRODUCT.
 - 5 FOR MODIFICATION, ETC, PREVENTIVE HOLE FOR SINK MARK MAY BE ADDED ACCORDING TO CIRCUMSTANCES.

RECOMMENDED P.C.B. LAND PATTERN DIMENSIONS (MOUNT SIDE)



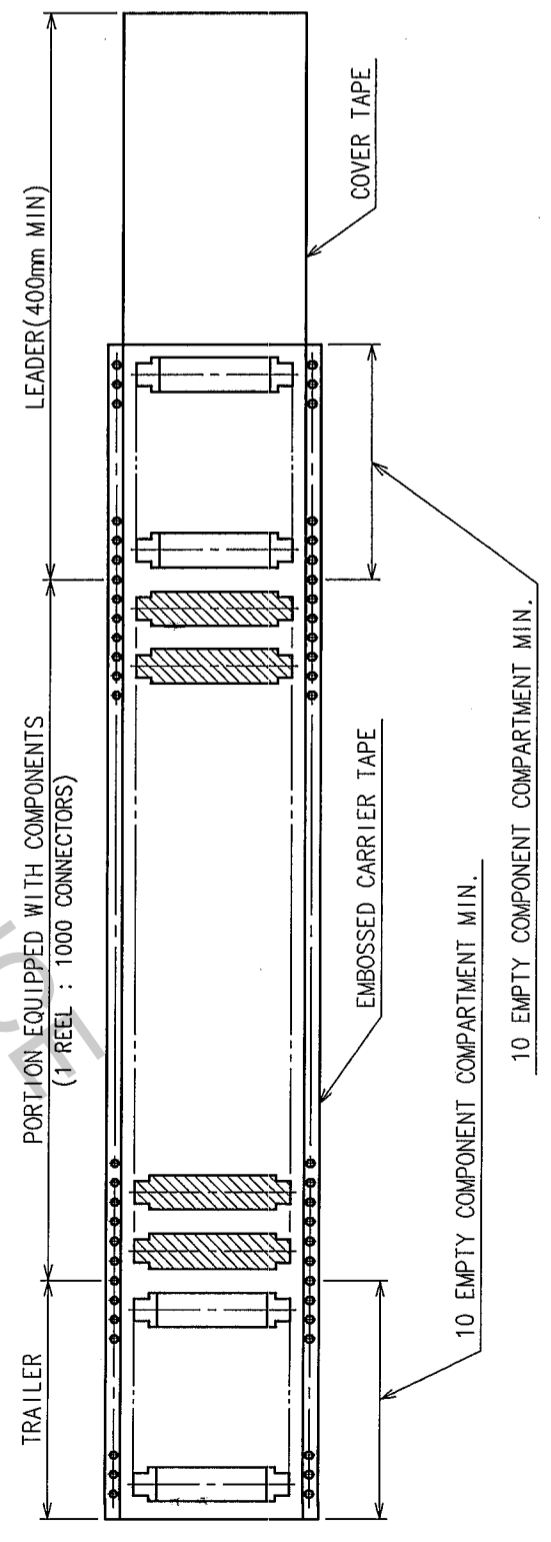
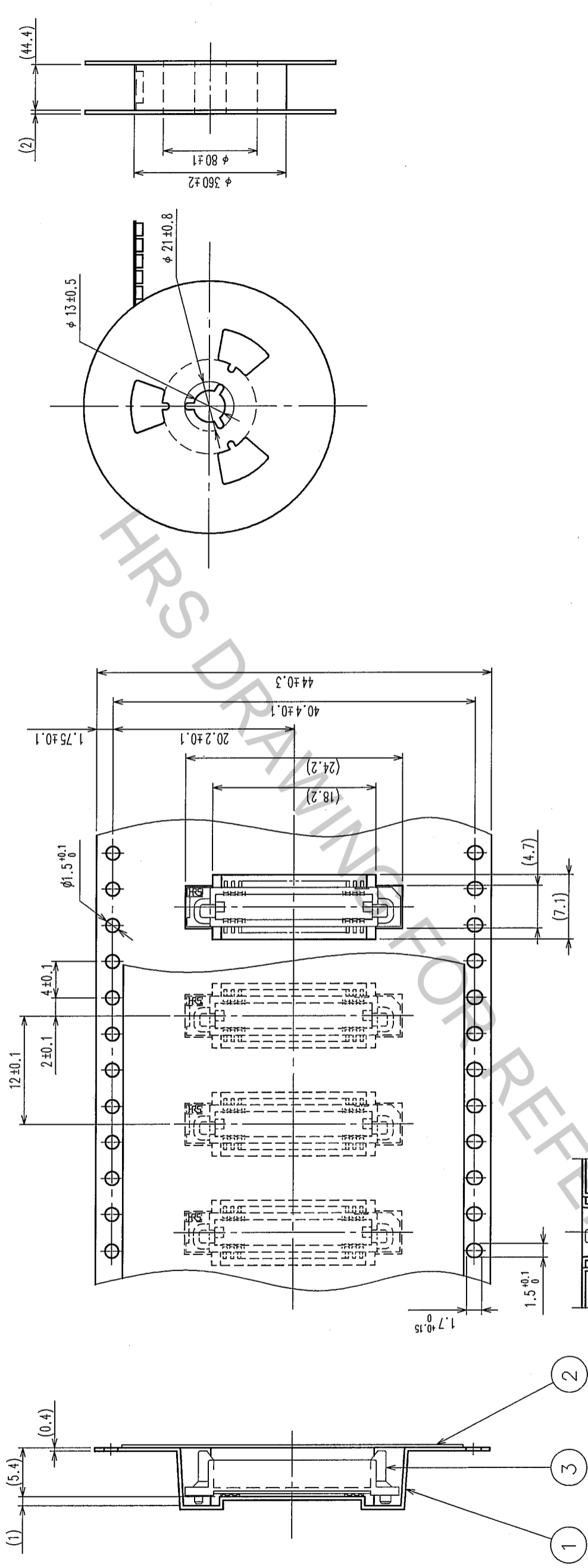
NO.	MATERIAL	FINISH, REMARKS	NO.	MATERIAL	FINISH, REMARKS
1	POLYPHENYLENE SULFIDE	LIGHT BROWN UL94V-0	2	PHOSPHOR BRONZE	
CODE NO. (OLD)		Y. AOYAGI	DESIGNED		J. Noda
DRAWING NO.		'05.09.22	CHECKED		K. Ogawa
SCALE		2 : 1	APPROVED		H. Okawa
UNITS		mm	RELEASED		'05.09.27
PART NO.			FX6-40P-0.8SV(92)		
CODE NO.			CL576-0003-9-92		

TO	

COUNT	DESCRIPTION OF REVISIONS	BY	CHKD	DATE	COUNT	DESCRIPTION OF REVISIONS	BY	CHKD	DATE

STYLE AND DIMENSIONS OF REEL (FREE)

DIRECTION OF UNREELING



NOTE 1 THE DIMENSIONS IN PARENTHESES ARE FOR REFERENCE.
 2 1 REEL : 1000 CONNECTORS

NO.	MATERIAL	FINISH, REMARKS	NO.	MATERIAL	FINISH, REMARKS
2	POLYESTER	COVER TAPE	3	(CONNECTOR)	
1	POLYSTYRENE	EMBOSSED CARRIER TAPE			

CODE NO. (OLD)	DRAWN	DESIGNED	CHECKED	APPROVED	RELEASED
	Y. AOYAGI '05.09.22	J. Noda '05.09.22	K. Ogawa '05.09.27	H. Okawa '05.09.27	

DRAWING NO.	PART NO.
EDC3-084965-22	FX6-40P-0.8SV(92)

SCALE	UNITS
2 : 1	mm

CODE NO.
CL576-0003-9-92

TO



HIROSE ELECTRIC CO., LTD.

CL576-0003-9-92

2