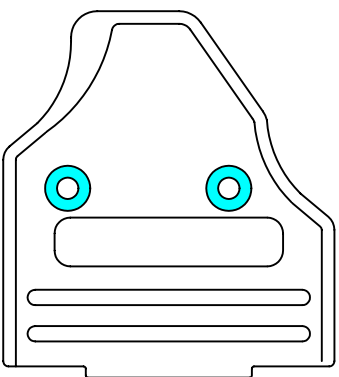
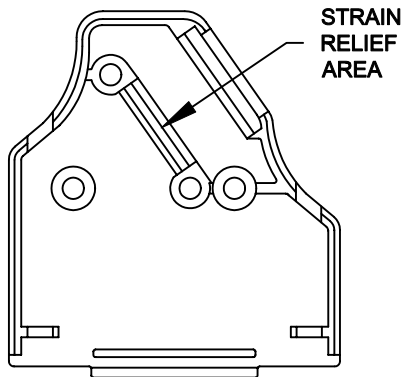


**ASSEMBLY INSTRUCTIONS:**

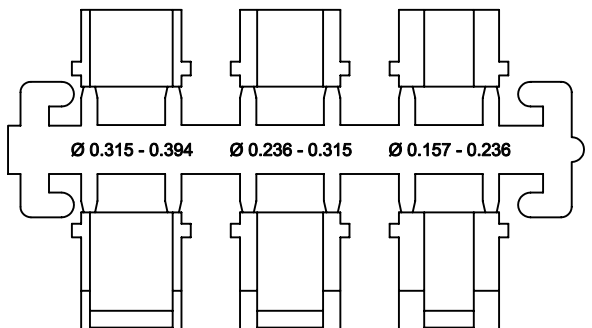
1. PREPARE CABLE ENDS, CONNECT TO CONNECTOR
2. SELECT CORRECT INSERT SIZE FOR CABLE BEING USED, PLACE LONG INSERT INTO RECESS AREA OF BASE HOOD
3. PLACE SHORT INSERT INTO RECESS OF COVER HOOD
4. PLACE CABLE INTO INSERT IN BASE HOOD. USING EITHER THE FLAT OR CURVED STRAIN RELIEF (OR BOTH), CLAMP THE CABLE MAKING SURE THE JACKET IS BELOW THE STRAIN RELIEF
5. IF CABLE IS SHIELDED, FOLD SHIELD AND/OR GROUND WIRE BACK UNDER STRAIN RELIEF. CUT OFF ANY EXCESS WIRE SO IT DOES NOT STICK OUT OF THE STRAIN RELIEF
6. PLACE THE THUMBSCREWS INTO THE CORRECT POSITIONS OF THE BASE HOOD
7. PLACE THE COVER HOOD ON TOP OF THE BASE HOOD, MAKING SURE NO WIRES ARE PINCHED
8. HOLDING THE HOODS TOGETHER, SCREW THE TWO HOOD SECTIONS TOGETHER USING THE SCREWS PROVIDED



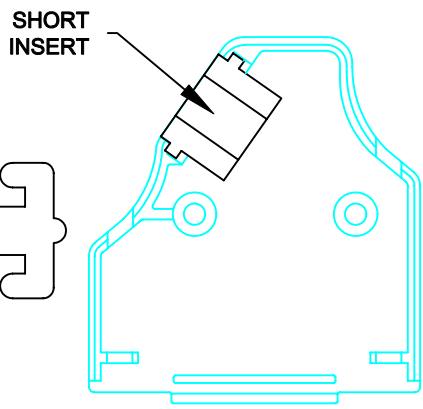
COVER HOOD



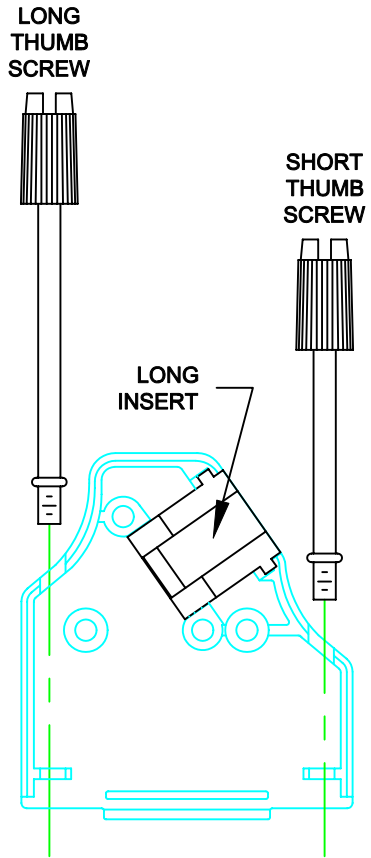
BASE HOOD



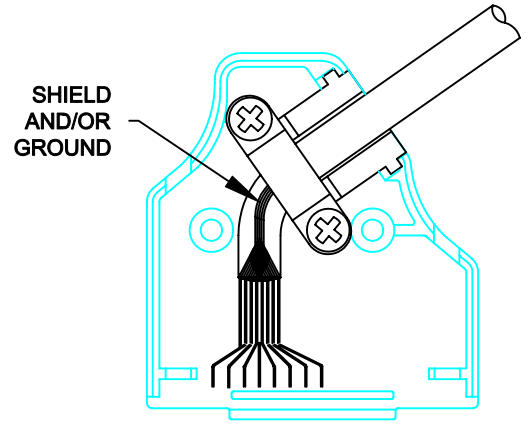
METALIZED PLASTIC INSERTS



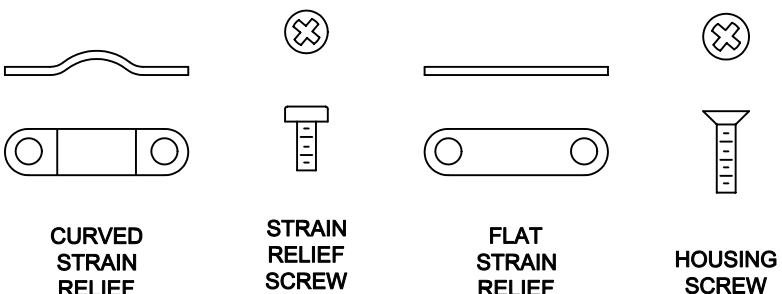
ITEM No. 3



ITEM No. 2 & 6



ITEM No. 4 & 5



**RoHS COMPLIANT**

**DIE CAST**

|                  |                                                                                                                                                                                             |                                       |                            |                          |
|------------------|---------------------------------------------------------------------------------------------------------------------------------------------------------------------------------------------|---------------------------------------|----------------------------|--------------------------|
|                  | THESE DRAWINGS AND SPECIFICATIONS ARE THE PROPERTY OF NorComp AND SHALL NOT BE REPRODUCED, COPIED OR USED AS THE BASIS FOR THE MANUFACTURE OF SALE OF APPARATUS WITHOUT WRITTEN PERMISSION. |                                       | DRAWN:<br><b>C. SMITH</b>  | DATE:<br><b>03-26-07</b> |
|                  |                                                                                                                                                                                             |                                       | CHECKED:                   | DATE:                    |
| <h1>NorComp</h1> |                                                                                                                                                                                             | SCALE:<br><b>N.T.S.</b>               | SHEET <b>1</b> OF <b>1</b> | REV <b>0</b>             |
|                  |                                                                                                                                                                                             | DWG NO. <b>BACKSHELL - 953 SERIES</b> |                            |                          |