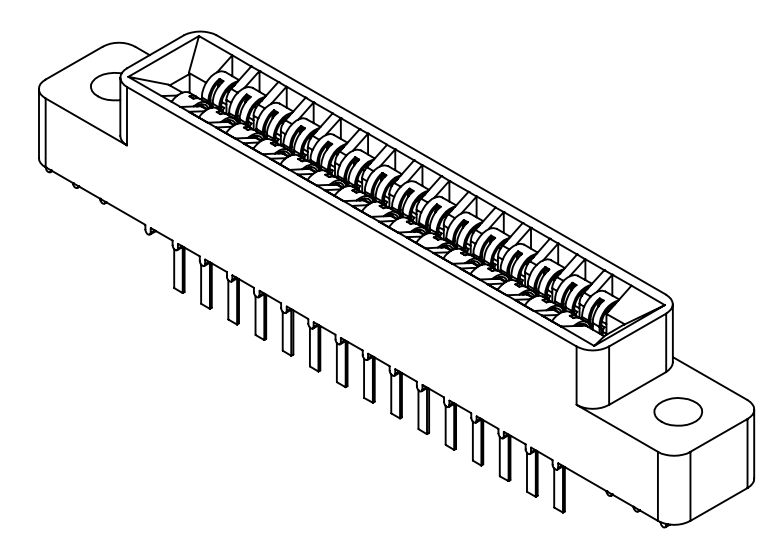
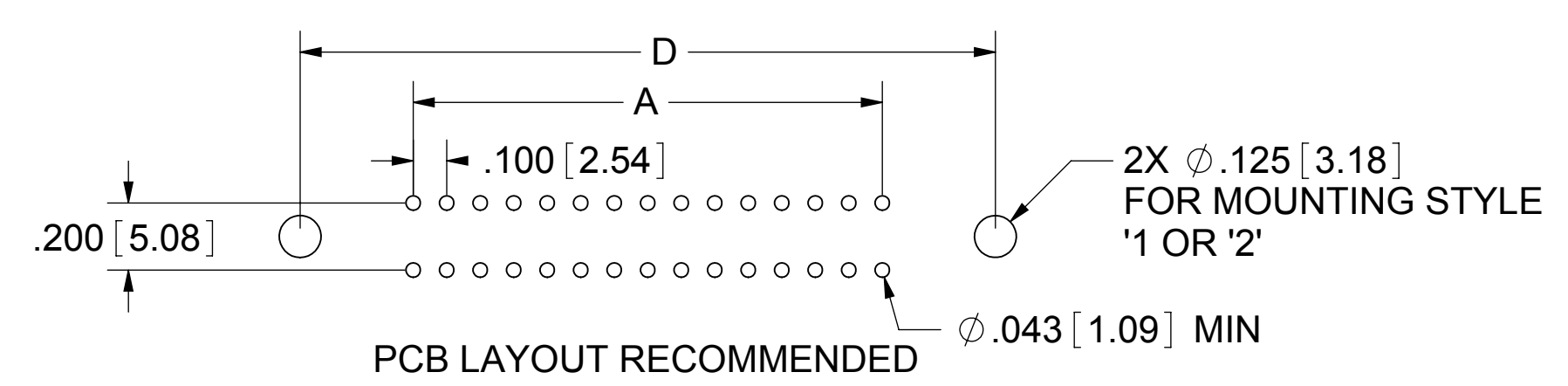
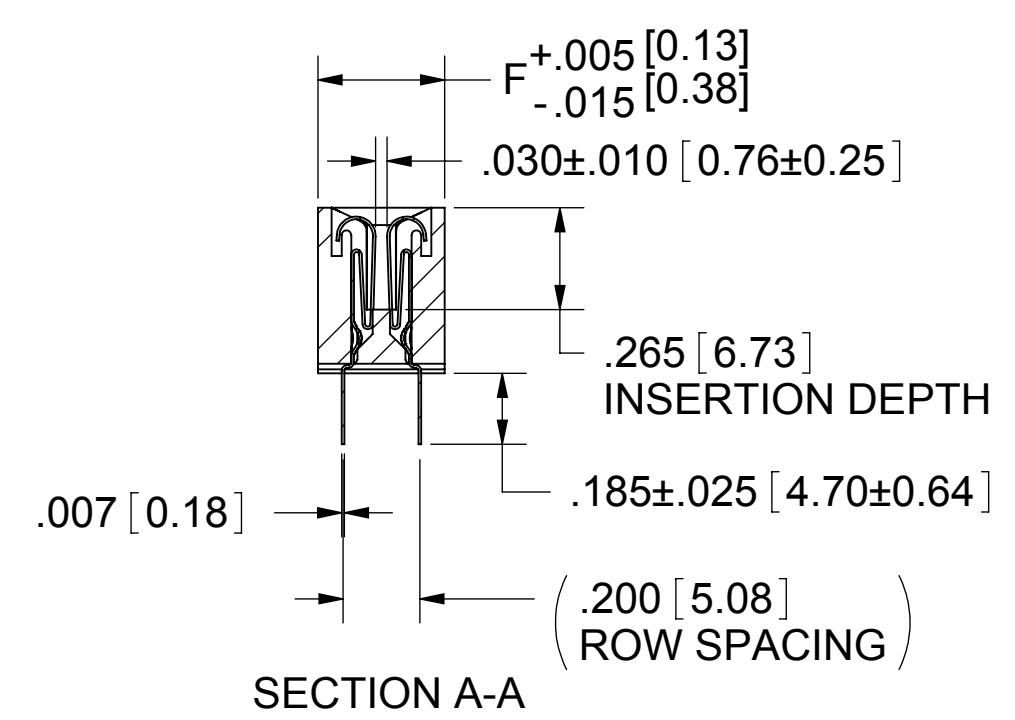
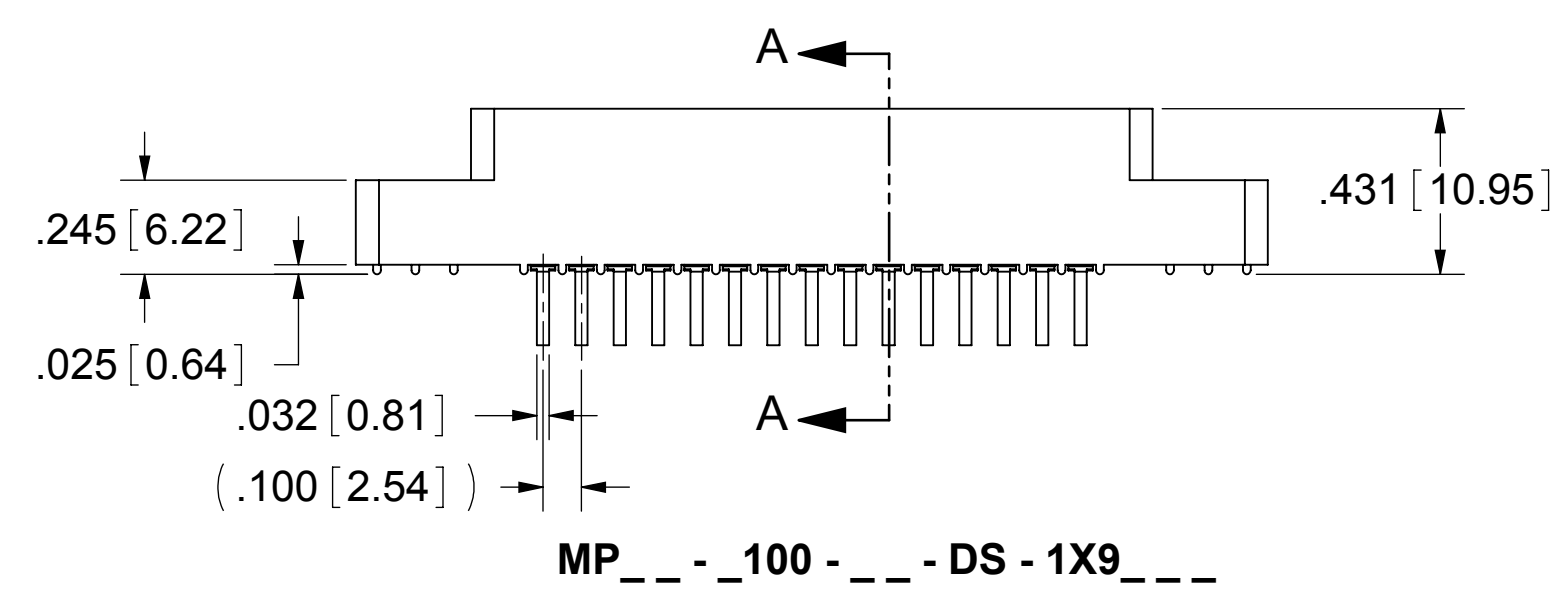
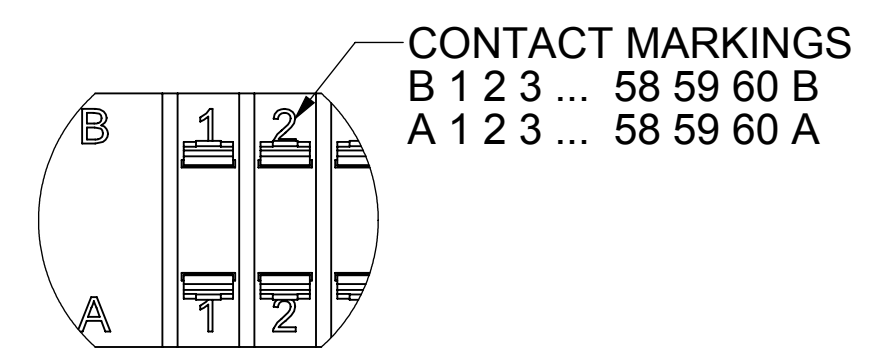
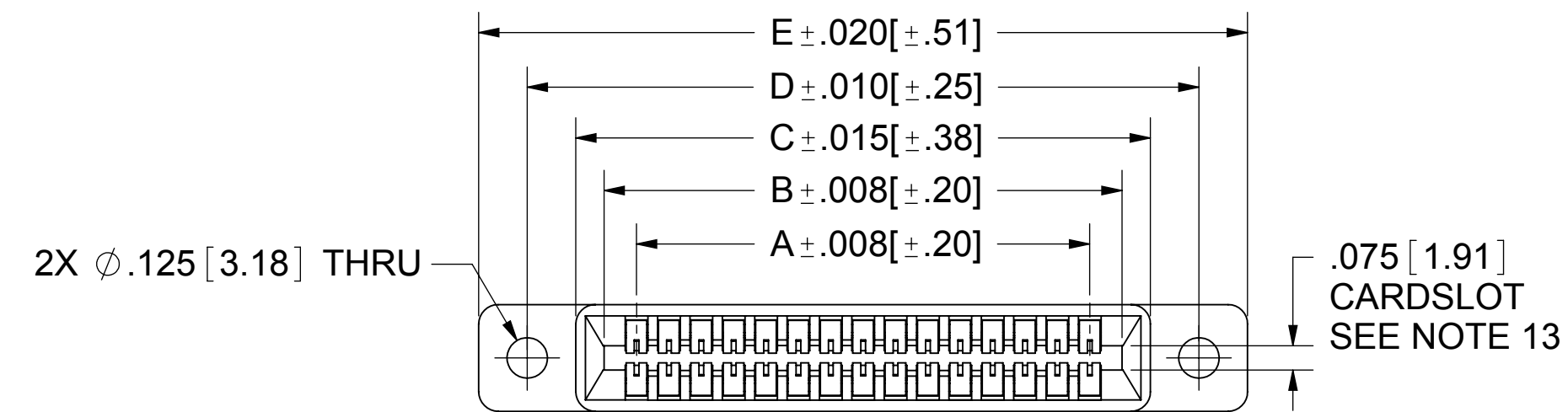
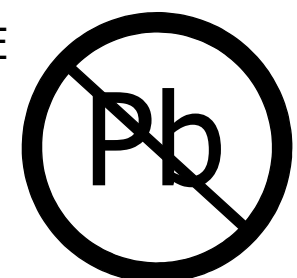


REVISIONS				
REV.	ECO. NO	DESCRIPTION	DATE	BY
A	2334	INITIAL RELEASE	5/3/2011	JH
B	2402	UPDATED P/N CODING TO INCLUDE MTL & PLATING OPTIONS, TAIL LENGTH CHANGED TO .185, DELETE #3 MOUNTING STYLE, OBSOLETE DWG# 10554	7/08/2011	JH
C	2443	ADDED MPP SPINODAL CONTACT OPTION	9/12/2011	JH



- NOTES:
1. INSULATOR MATERIAL: SEE PART NUMBER CODING
 2. CONTACT MATERIAL: SEE PART NUMBER CODING
 3. PLATING: SEE PART NUMBER CODING
 4. OPERATING TEMPERATURE: SEE PART NUMBER CODING
 5. PROCESSING TEMP: SEE PART NUMBER CODING
 6. UL FLAMMABILITY RATING: 94V-0
 7. DIELECTRIC WITHSTANDING VOLTAGE: 750 VAC MINIMUM AT SEA LEVEL
 8. CURRENT RATING: 3 AMP PER CONTACT
 9. CONTACT RESISTANCE: 30 MILLI OHMS MAX
 10. INSULATION RESISTANCE: 5000 MEGA OHMS
 11. DURABILITY: 500 CYCLES MIN
 12. CONNECTOR IDENTIFICATION: THE PART SHALL BE MARKED WITH A PART NUMBER AND LOT CODE
 13. BOARD THICKNESS ACCOMMODATED: $.062 \pm .008 [1.57 \pm 0.20]$
 14. INSERTION FORCE: 16 OZ MAX PER CONTACT PAIR WHEN USING A $.062 [1.57]$ TEST BLADE INTERNAL INSPECTION TO BE PER SULLIN'S WORK INSTRUCTION WI7.3-01
 15. WITHDRAWAL FORCE: 1 OZ MIN PER CONTACT PAIR USING $.062 [1.57]$ PCB

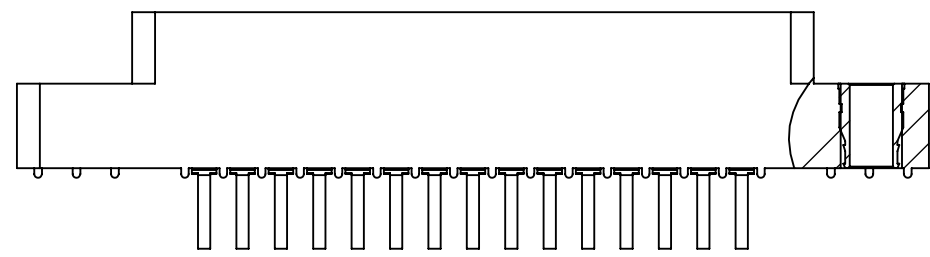
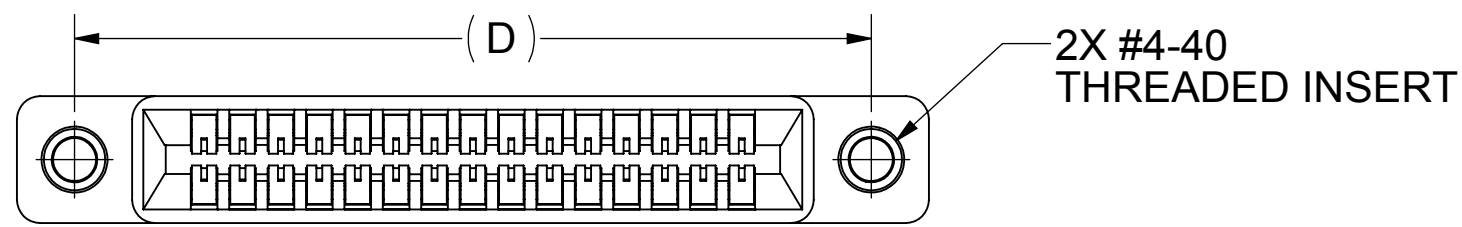


RoHS COMPLIANT

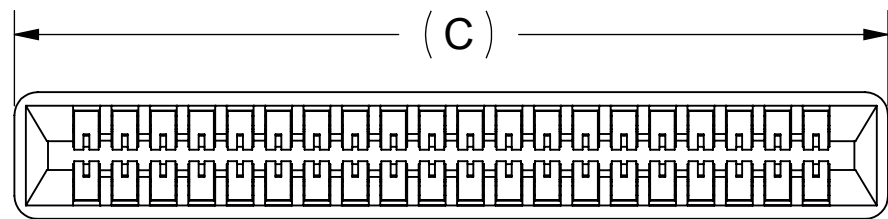
REF : __C__ DRX_ (-P, P1, P2, P3, P5, P6, P7)

CUSTOMER COPY

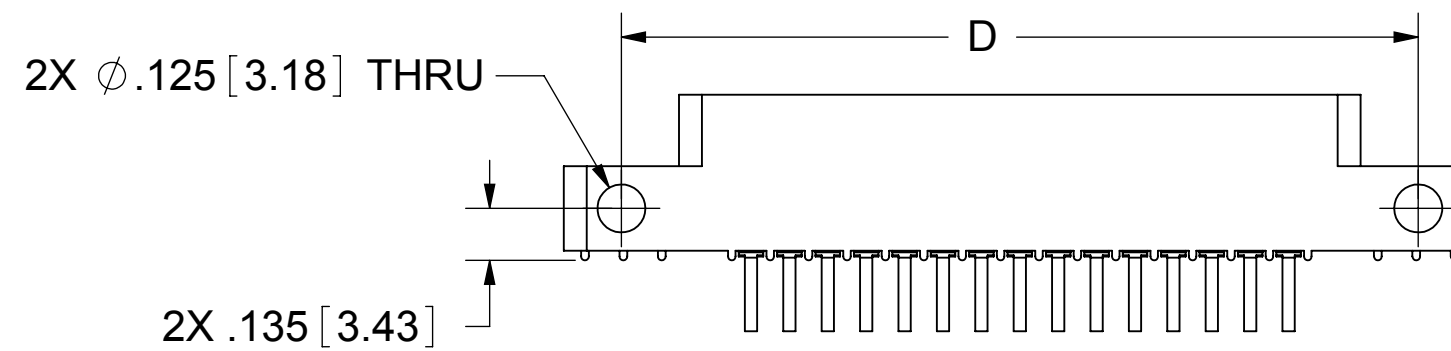
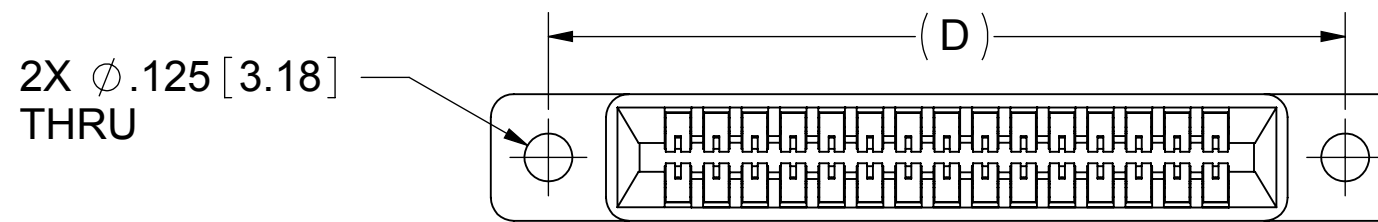
UNLESS OTHERWISE SPECIFIED: DIMENSIONS ARE IN INCHES [MM]	DRAWN	DATE	NAME	
		5/3/2011	JH	
TOLERANCES: ANGULAR: $\pm 30'$ $.XX = \pm .02 [5]$ $.XXX = \pm .005 [13]$ $.XXXX = \pm .0005 [013]$	THE INFORMATION HEREIN CONTAINS PROPRIETARY INFORMATION OF SULLINS ELECTRONICS AND IS NOT TO BE REPRODUCED, USED OR DISCLOSED TO OTHERS FOR ANY PURPOSE EXCEPT AS SPECIFICALLY AUTHORIZED IN WRITING BY AN OFFICER OF SULLINS ELECTRONICS.			TITLE
	INTERPRET DIMENSIONS AND TOLERANCING PER: ASME Y14.5M-2009			CONNECTOR, .100 CC LP
PART NUMBER				REV
MP__ - 100 - __ - DS - __ X9__				C
SIZE	CAGE CODE	DWG. NO.		
C	54453	C11640		
SCALE: 2:1			SHEET 1 OF 3	



MP _ _ - _100 - _ _ - DS - 2X9 _ _ _

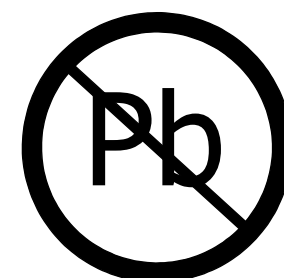


MP _ _ - _100 - _ _ - DS - 4X9 _ _ _



MP _ _ - _100 - _ _ - DS - 8X9 _ _ _

CUSTOMER COPY



RoHS COMPLIANT

UNLESS OTHERWISE SPECIFIED: DIMENSIONS ARE IN INCHES [MM]	DRAWN	DATE	NAME	
		5/3/2011	JH	
TOLERANCES: ANGULAR: ± 30' .XX=± .02 [.5] .XXX=± .005 [.13] .XXXX=± .0005 [.013]	THE INFORMATION HEREIN CONTAINS PROPRIETARY INFORMATION OF SULLINS ELECTRONICS AND IS NOT TO BE REPRODUCED, USED OR DISCLOSED TO OTHERS FOR ANY PURPOSE EXCEPT AS SPECIFICALLY AUTHORIZED IN WRITING BY AN OFFICER OF SULLINS ELECTRONICS.			TITLE
	INTERPRET DIMENSIONS AND TOLERANCING PER: ASME Y14.5M-2009			CONNECTOR, .100 CC LP
	SIZE	CAGE CODE	DWG. NO.	REV
	C	54453	C11640	C
	SCALE: 2:1		SHEET 2 OF 3	

PART NUMBER	NO. OF POSITION	A		B		C		D		E		F	
		IN	MM	IN	MM	IN	MM	IN	MM	IN	MM	IN	MM
MP - 100 - 05 - DS - X9	5	0.400	10.16	0.600	15.24	0.775	19.69	1.075	27.31	1.375	34.93	0.330	8.382
MP - 100 - 06 - DS - X9	6	0.500	12.70	0.700	17.78	0.875	22.23	1.175	29.85	1.475	37.47	0.330	8.382
MP - 100 - 07 - DS - X9	7	0.600	15.24	0.800	20.32	0.975	24.77	1.275	32.39	1.575	40.01	0.330	8.382
MP - 100 - 08 - DS - X9	8	0.700	17.78	0.900	22.86	1.075	27.31	1.375	34.93	1.675	42.55	0.330	8.382
MP - 100 - 10 - DS - X9	10	0.900	22.86	1.100	27.94	1.275	32.39	1.575	40.01	1.875	47.63	0.330	8.382
MP - 100 - 12 - DS - X9	12	1.100	27.94	1.300	33.02	1.475	37.47	1.775	45.09	2.075	52.71	0.330	8.382
MP - 100 - 13 - DS - X9	13	1.200	30.48	1.400	35.56	1.575	40.01	1.875	47.63	2.175	55.25	0.330	8.382
MP - 100 - 15 - DS - X9	15	1.400	35.56	1.600	40.64	1.775	45.09	2.075	52.71	2.375	60.33	0.330	8.382
MP - 100 - 17 - DS - X9	17	1.600	40.64	1.800	45.72	1.975	50.17	2.275	57.79	2.575	65.41	0.330	8.382
MP - 100 - 18 - DS - X9	18	1.700	43.18	1.900	48.26	2.075	52.71	2.375	60.33	2.675	67.95	0.330	8.382
MP - 100 - 19 - DS - X9	19	1.800	45.72	2.000	50.80	2.175	55.25	2.475	62.87	2.775	70.49	0.330	8.382
MP - 100 - 20 - DS - X9	20	1.900	48.26	2.100	53.34	2.275	57.79	2.575	65.41	2.875	73.03	0.330	8.382
MP - 100 - 22 - DS - X9	22	2.100	53.34	2.300	58.42	2.475	62.87	2.775	70.49	3.075	78.11	0.330	8.382
MP - 100 - 23 - DS - X9	23	2.200	55.88	2.400	60.96	2.575	65.41	2.875	73.03	3.175	80.65	0.330	8.382
MP - 100 - 25 - DS - X9	25	2.400	60.96	2.600	66.04	2.775	70.49	3.075	78.11	3.375	85.73	0.330	8.382
MP - 100 - 26 - DS - X9	26	2.500	63.50	2.700	68.58	2.875	73.03	3.175	80.65	3.475	88.27	0.330	8.382
MP - 100 - 28 - DS - X9	28	2.700	68.58	2.900	73.66	3.075	78.11	3.375	85.73	3.675	93.35	0.330	8.382
MP - 100 - 30 - DS - X9	30	2.900	73.66	3.100	78.74	3.275	83.19	3.575	90.81	3.875	98.43	0.330	8.382
MP - 100 - 31 - DS - X9	31	3.000	76.20	3.200	81.28	3.375	85.73	3.675	93.35	3.975	100.97	0.330	8.382
MP - 100 - 35 - DS - X9	35	3.400	86.36	3.600	91.44	3.775	95.89	4.075	103.51	4.375	111.13	0.400	10.16
MP - 100 - 36 - DS - X9	36	3.500	88.90	3.700	93.98	3.875	98.43	4.175	106.05	4.475	113.67	0.400	10.16
MP - 100 - 40 - DS - X9	40	3.900	99.06	4.100	104.14	4.275	108.59	4.575	116.21	4.875	123.83	0.400	10.16
MP - 100 - 43 - DS - X9	43	4.200	106.68	4.400	111.76	4.575	116.21	4.875	123.83	5.175	131.45	0.400	10.16
MP - 100 - 44 - DS - X9	44	4.300	109.22	4.500	114.30	4.675	118.75	4.975	126.37	5.275	133.99	0.400	10.16
MP - 100 - 49 - DS - X9	49	4.800	121.92	5.000	127.00	5.175	131.45	5.475	139.07	5.775	146.69	0.400	10.16
MP - 100 - 50 - DS - X9	50	4.900	124.46	5.100	129.54	5.275	133.99	5.575	141.61	5.875	149.23	0.400	10.16
MP - 100 - 52 - DS - X9	52	5.100	129.54	5.300	134.62	5.475	139.07	5.775	146.69	6.075	154.31	0.400	10.16
MP - 100 - 60 - DS - X9	60	5.900	149.86	6.100	154.94	6.275	159.39	6.575	167.01	6.875	174.63	0.400	10.16
MP - 100 - 65 - DS - X9	65	6.400	162.56	6.600	167.64	6.775	172.09	7.075	179.71	7.375	187.33	0.400	10.16

TABLE 1 (PLATING):

ALL PLATINGS HAVE .000050" NICKEL UNDERPLATE

	CONTACT SURFACE	TERMINATION	PLATING MODIFICATION CODE
MP	.000010" GOLD OVERALL		OMIT
	.000030" GOLD	.000010" GOLD OVERALL	G
MPSL	.000010" GOLD	.000100" PURE TIN, MATTE	K
	.000030" GOLD	.000100" PURE TIN, MATTE	GK
MPL	.000100" PURE TIN, MATTE OVERALL		K
MPP	.000010" GOLD OVERALL		OMIT
	.000030" GOLD	.000010" GOLD OVERALL	G

(MPL PLATING AVAILABLE WITH PHOSPHOR BRONZE CONTACTS ONLY)

TABLE 2 (PHOSPHOR BRONZE CONTACTS):

INSULATOR MATERIAL CODE	OPERATING TEMPERATURE	PROCESSING TEMPERATURE
0, 2, 3	-65°C TO +125°C	260°C FOR 10 SEC MAX (230°C, 30 SEC)
1, 5, 6, 7	-65°C TO +125°C	260°C FOR 120 SEC MAX

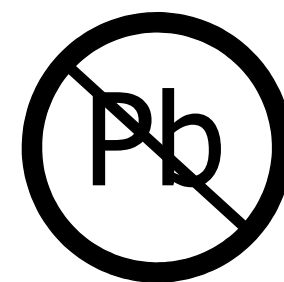
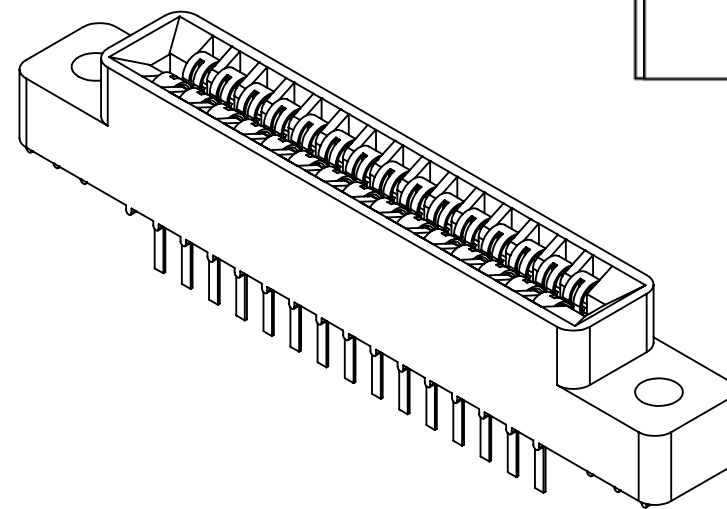
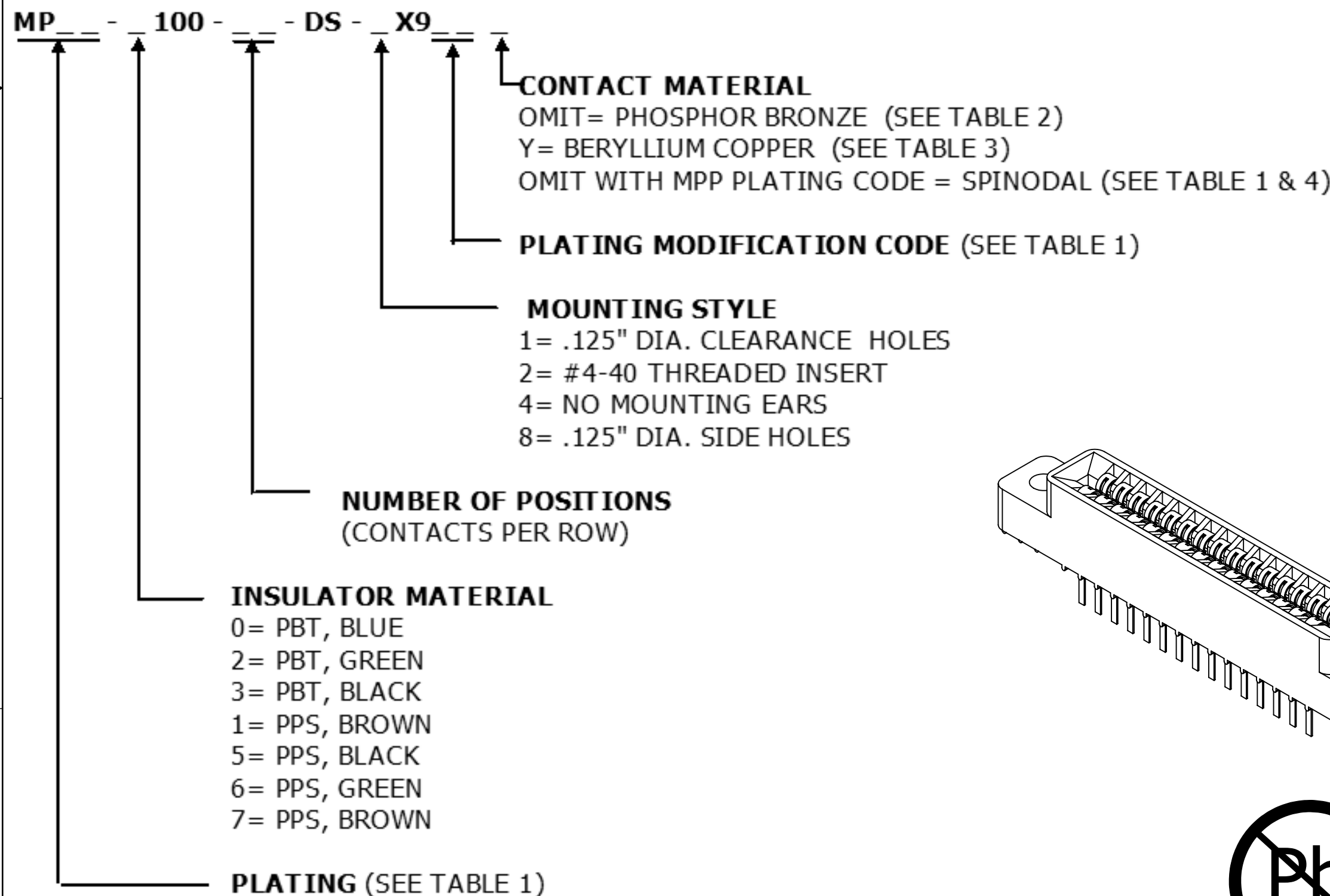
TABLE 3 (BERYLLIUM COPPER CONTACTS):

INSULATOR MATERIAL CODE	OPERATING TEMPERATURE	PROCESSING TEMPERATURE
0, 2, 3	-65°C TO +125°C	260°C FOR 10 SEC MAX (230°C, 30 SEC)
1, 5, 6, 7	-65°C TO +150°C	260°C FOR 120 SEC MAX

TABLE 4 (SPINODAL CONTACTS):

INSULATOR MATERIAL CODE	OPERATING TEMPERATURE	PROCESSING TEMPERATURE
1, 5, 6, 7	-65°C TO +200°C	260°C FOR 120 SEC MAX

PART NUMBER CODING



RoHS COMPLIANT

CUSTOMER COPY

UNLESS OTHERWISE SPECIFIED: DIMENSIONS ARE IN INCHES [MM]	DRAWN	DATE	NAME		
		5/3/2011	JH		
TOLERANCES: ANGULAR: ± 30' .XX=± .02 [.5] .XXX=± .005 [.13] .XXXX=± .0005 [.013]	THE INFORMATION HEREIN CONTAINS PROPRIETARY INFORMATION OF SULLINS ELECTRONICS AND IS NOT TO BE REPRODUCED, USED OR DISCLOSED TO OTHERS FOR ANY PURPOSE EXCEPT AS SPECIFICALLY AUTHORIZED IN WRITING BY AN OFFICER OF SULLINS ELECTRONICS.			TITLE	
	INTERPRET DIMENSIONS AND TOLERANCING PER: ASME Y14.5M-2009			CONNECTOR, .100 CC LP	
PART NUMBER		SIZE	CAGE CODE	DWG. NO.	REV
MP - 100 - DS - X9		C	54453	C11640	C
SCALE: 2:1		SHEET 3 OF 3			