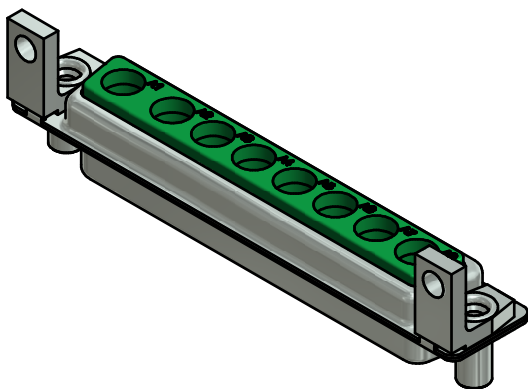
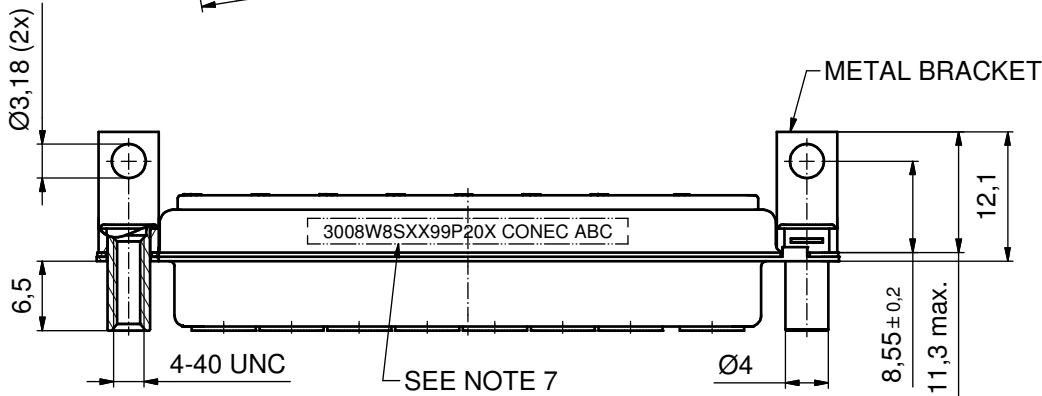
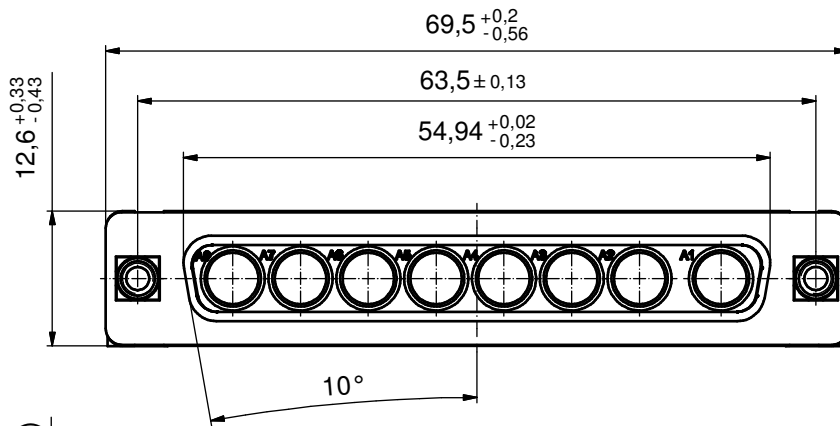
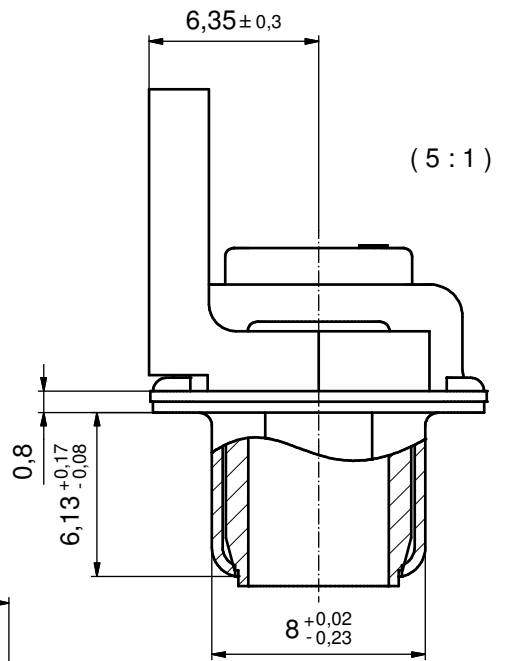
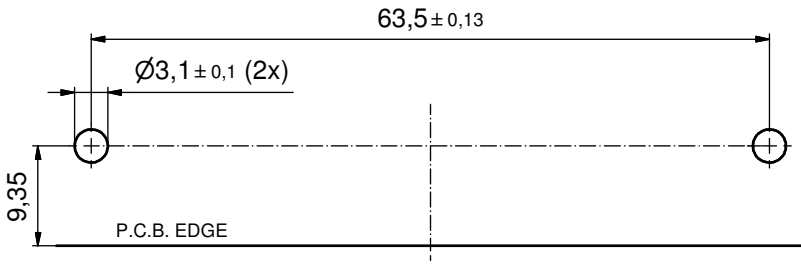


P.C.B. HOLE DRILLING  
(P.C.B. TOP SIDE)



NOTES:

1. METALSHELLS: STEEL; min. 315µin TIN over 40-80µin NICKEL
2. INSULATOR: PBT GF UL 94 V-0; GREEN
3. NO CONTACTS ON POS. A1 - A8
4. THREADED LOCKS: COPPER ALLOY; min. 200µin TIN over 80µin NICKEL
5. METAL BRACKETS: ZINC DIE CAST; 300µin COPPER/ 40-120µin NICKEL/ 120-200µin TIN
6. MAXIMUM TORQUE VALUE FOR THREAD: 6 in.LB
7. CONNECTOR IS PART MARKED: 3008W8SXX99P20X CONEC ABC

Directive 2002/95/EC RoHS compliant

THIS DRAWING MAY NOT BE COPIED OR REPRODUCED IN ANY WAY, AND MAY NOT BE PASSED ON TO A THIRD PARTY WITHOUT WRITTEN PERMISSION. OWNERSHIP AND COPYRIGHT OF CONEC GmbH DO NOT ALTER CAD DRAWING BY HAND	tolerance		dim. in mm	scale: 2:1 (5:1)	
				material: see notes	
	date	name		title: <b>D-SUB COMBINATION FEMALE</b> 8W8S with threaded lock and metal bracket	
	drawn 24.05.12	Henneboel			
	appd. 24.05.12	Koch			
	norm			dwg no:	
	d-old			13K1A3977	
rev. a	Original			DIN-A3	
description	date			name	sh: 1
part no:			3008W8SXX99P20X		