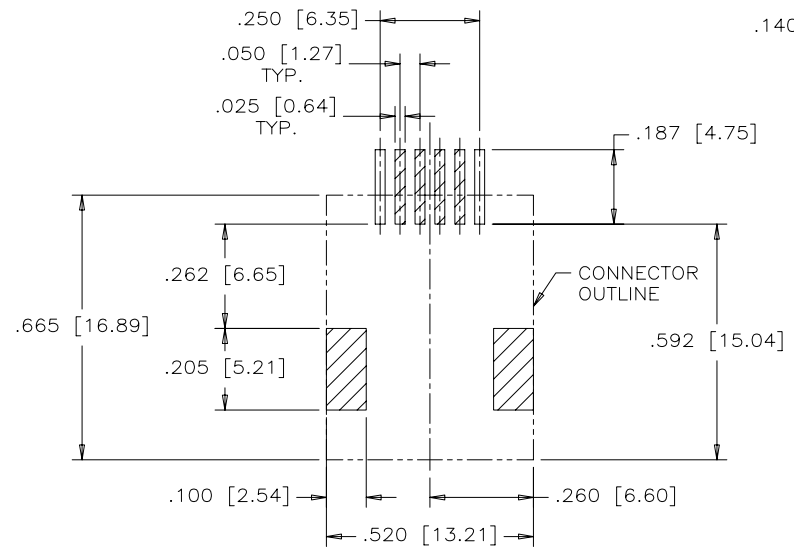
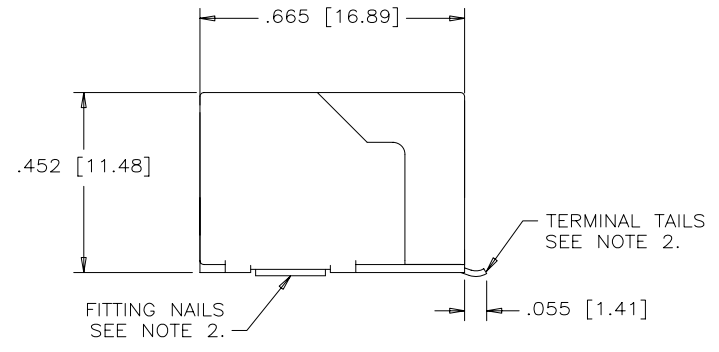
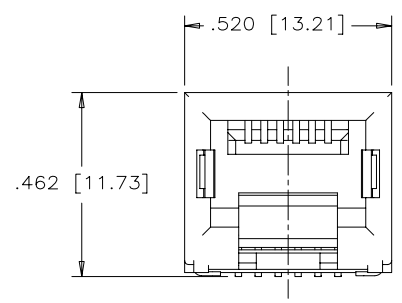
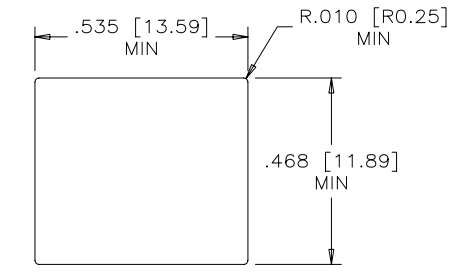
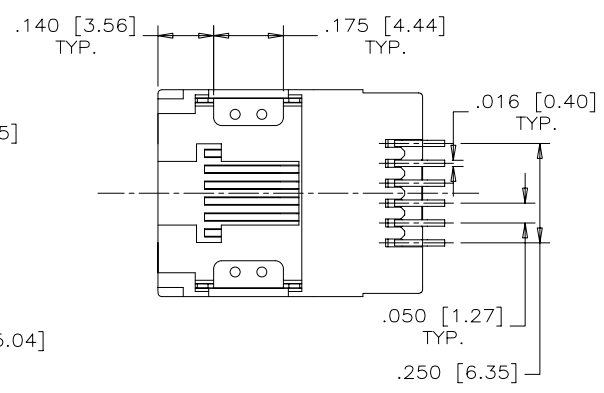


REVISIONS				
SYM	ZONE	ECN, ERN NO.	DATE	APPRD.
C		PROPOSAL DRAWING	AUG 28,09	L.CHAN



RECOMMENDED P.C.B. LAYOUT
(COMPONENT SIDE OF BOARD)



RECOMMENDED PANEL CUTOUT

NOTES:

1. MATERIALS:

HOUSING: HIGH TEMPERATURE THERMOPLASTIC.
FLAMMABILITY RATING UL 94V-0
COLOUR: BLACK

CONTACTS: PHOSPHOR BRONZE

PLATING: GOLD PLATED REFER TO PART NUMBER ON MATING SURFACES.
50 u" [1.27 MICRONS] MIN. NICKEL UNDERPLATE.
100 u" [2.54 MICRONS] MIN. MATTE TIN ON CONTACT TAILS.

2. COPLANARITY SPECIFICATION:

WITH THE MODULAR JACK SITTING ON A LEVEL SURFACE, THE MAXIMUM GAP BETWEEN THE LEVEL SURFACE AND ALL TERMINAL TAILS AND BOTH FITTING NAILS IS .004 [0.10].

AMPHENOL PART NO.: R J L S E - 6 X 0 6 1 - 0 1 T 2

- GOLD PLATING
- 0 = GOLD FLASH
 - 1 = 15 MICRO" GOLD PLATING
 - 2 = 30 MICRO" GOLD PLATING
 - 3 = 50 MICRO" GOLD PLATING

DRAWN	Chigow	DATE	05/11/22
DESIGNED			
CHECKED	PAULW	DATE	05/11/22
I. E. APPRD.	Oyang	DATE	05/11/22
Q. A. APPRD.			
DWG. APPRD.			
ENG. REL. NO.			
REF.			
DIMENSIONS ARE IN	CODE ID. NO.		
INCHES [mm]	03554		

Amphenol Canada Corp.

TITLE SURFACE MOUNT MODULAR JACK,6 POSITION,
6 CONTACTS, WITHOUT SHIELD, WITH 32MM
PITCH TAPE & REEL (ROHS COMPLIANT)

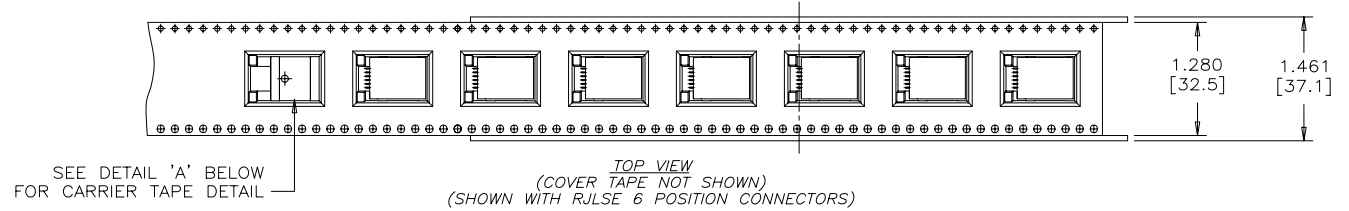
DWG DRAWING NO. P-RJLSE-6X061-01T2 REV. C

THIS DOCUMENT CONTAINS PROPRIETARY INFORMATION AND SUCH INFORMATION
MAY NOT BE DISCLOSED TO OTHERS FOR ANY PURPOSE OR USED FOR MANUFACTURING
PURPOSES WITHOUT WRITTEN PERMISSION FROM AMPHENOL CANADA CORP.

SCALE WT. _____ SURF. _____ SHEET 1 OF 2



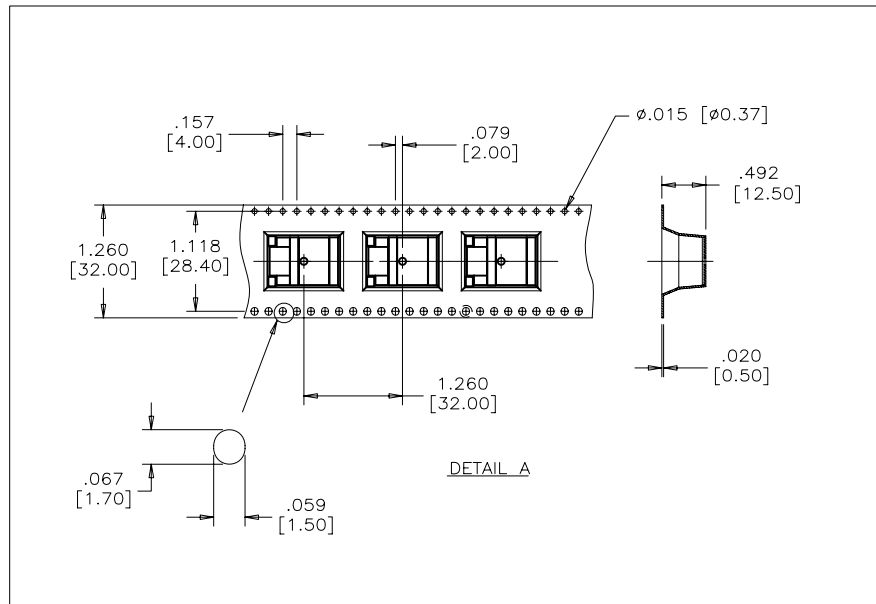
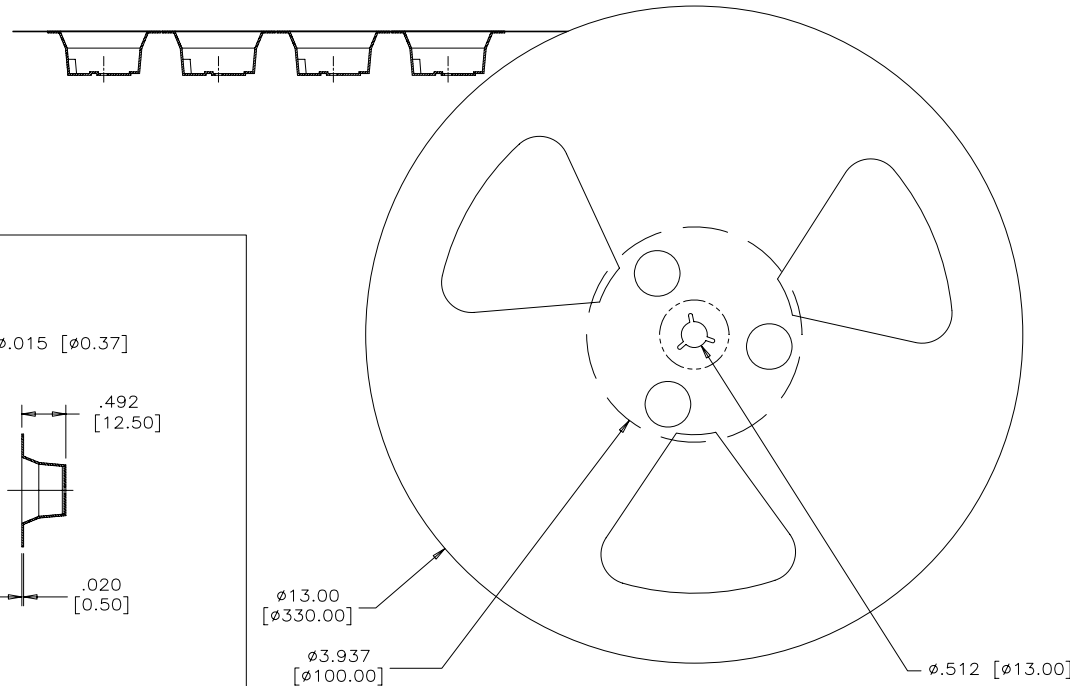
← DIRECTION OF CONNECTOR LOADED INTO MACHINE.
LEADS FACING FRONT SIDE



SEE DETAIL 'A' BELOW
FOR CARRIER TAPE DETAIL

PACKAGING NOTES:

1. ONE REEL SHOULD HOLD 130 CONNECTORS.
2. A FULLY LOADED CARTON SHOULD CONTAIN 7 REELS OF CONNECTORS.



REVISIONS				
SYM	ZONE	ECN, ERN NO.	DATE	APPRD.
C		PROPOSAL DRAWING	AUG 28.09	L.CHAN

DRAWN	Chigow	DATE	05/11/22
DESIGNED			
CHECKED	PAULW	DATE	05/11/22
I. E. APPRD.	Oyang	DATE	05/11/22
Q. A. APPRD.			
DWG. APPRD.			
ENG. REL. NO.			
REF.			
DIMENSIONS ARE IN	CODE ID. NO.		
INCHES [mm]	03554		

Amphenol Canada Corp.			
TITLE SURFACE MOUNT MODULAR JACK, 6 POSITION, 6 CONTACTS, WITHOUT SHIELD, WITH 32MM PITCH TAPE & REEL, PACKING DRAWING (ROHS COMPLIANT)			
DWG.	DRAWING NO.	REV.	
	P-RJLSE-6X061-01T2	C	
SCALE	WT.	SURF.	SHEET 2 OF 2

THIS DOCUMENT CONTAINS PROPRIETARY INFORMATION AND SUCH INFORMATION MAY NOT BE DISCLOSED TO OTHERS FOR ANY PURPOSE OR USED FOR MANUFACTURING PURPOSES WITHOUT WRITTEN PERMISSION FROM AMPHENOL CANADA CORP.